

Saternus sp. z o.o.
 41-503 Chorzów, ul. Kościuszki 63

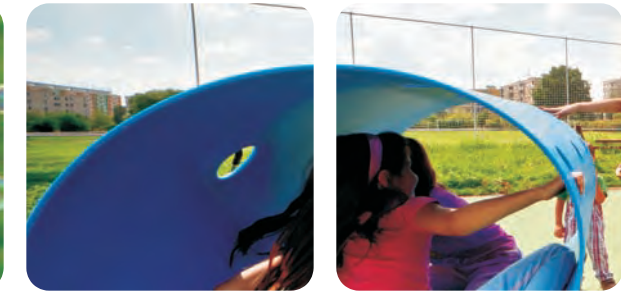
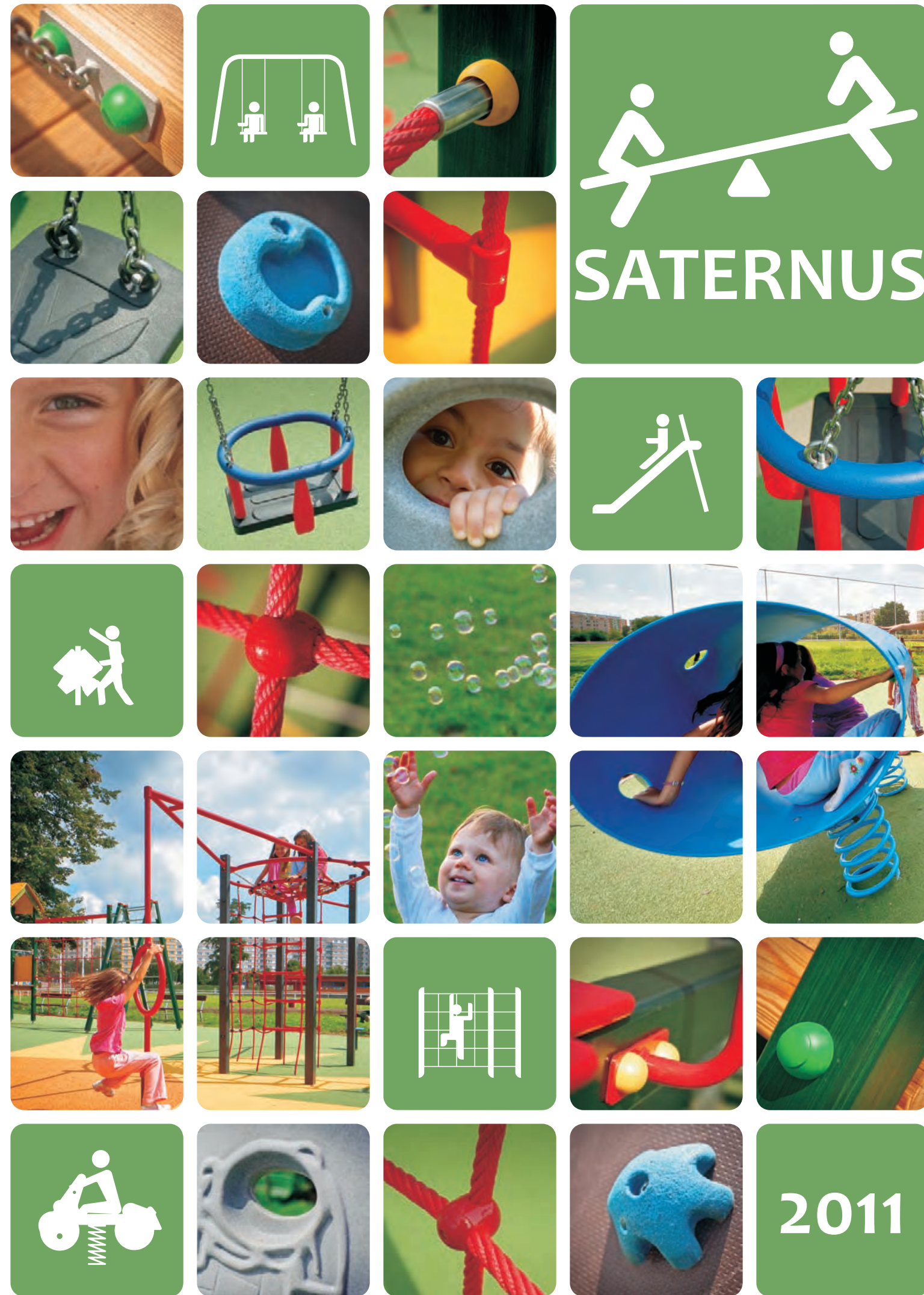
Customer Service
 tel +48 32 241 52 23
 fax +48 32 346 14 65
 export@saternus.pl

www.saternus.pl



AC 17

PLAYGROUND EQUIPMENT **S A T E R N U S** 2011



2011



Dear Customers,

We are pleased to provide you with the next edition of SATERNUS sales catalogue.

Our catalogue is full of new products and technologies. The most important change we want to emphasize is alignment of the playground installations with the new PN-EN 1176 and 1177 playground standards.

Each year we do our best to ensure our catalogue provides customers not only with aesthetic quality, but also with useful features. Taking this into consideration, the latest edition features additional information on the installation fall heights, determining the choice of playground installation surfaces.

It must be remembered that the safety of a playground depends not only on the certified playground installations, but also on properly selected playground surfaces, their correct location, professional fitting and regular technical inspections.

We hope that the latest SATERNUS sales catalogue shall inspire you with new ideas for new, attractive playgrounds.

Best regards,

Sales Manager, Poland
Tomasz Janda




Small architecture, big possibilities – discover the child in you

The company "Saternus" has been functioning on the playground market since 1993, starting its activities as an undertaking comprised of a couple of people, acting locally in the Upper Silesia region. The initiator of the idea was Krystyna Bielak, and she connected the Bielak family with the playground branch for good. The "Saternus" group is a 100% - Polish shareholder company. Nowadays, "Saternus" has approximately 100 people and realizes orders in Poland and in some European Union countries.

Our main goal is a professional and comprehensive arrangement of playgrounds - that is why we offer services of designing and equipping green areas, assembly and maintenance. Bearing in mind that customer satisfaction is the fundamental condition of an effective functioning and of a further development of a company on the market, our priority is to familiarize ourselves with customers' needs and to provide services with a fixed quality, in the time period agreed with the customer, at the same time adhering to standards connected with safety and environment protection.

We are proud to be co-creators and participants of the playground market in Poland. We constantly see to the safety and quality standards because our aim is to actively contribute to the further development of the branch. Bearing in mind the fundamental aim, which is the joyful and safe play of children and teenagers, we put a lot of energy and commitment into our work to earn our long-standing customers; trust.



Technical Surveys





Wooden elements

In wooden sets we construct our equipment from layer-glued wood, painted with protective agents and varnished twice.



HDPE boards

We often use very durable HPDE boards in our equipment. They practically do not require servicing, they do not decay and swell under moisture absorption. No paint cissing occurs. HPDE boards are resistant to chemicals, cleaning agents, atmospheric influence, scratches, hits and microorganisms.



Anchor bolts and metal structure elements

The devices are set in a concrete foundation with the use of metal, galvanized anchor bolts, which provides a full protection of wood against the harmful effect of moisture from the ground.

All chains and metal structure elements are made from bath-galvanized steel and are properly calibrated.



Playground structures

We use ropes with steel core, we combine them with ornamental elements with a proved durability and finish them with an aluminum thimble.

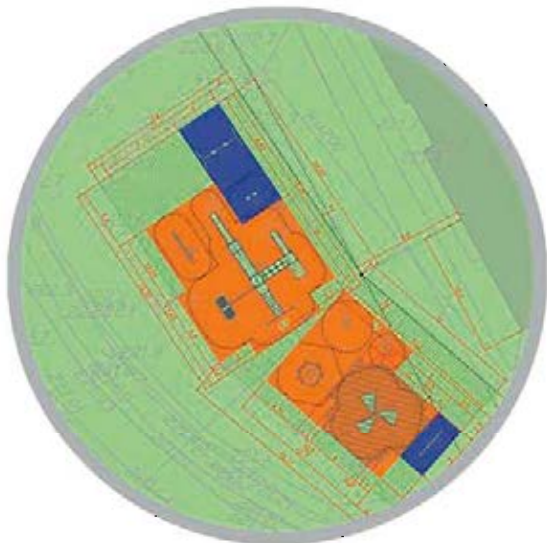


Metal elements of holders and safeguards

Metal elements of holders, pipes and handrails are made from bath-galvanized steel and are powder coated for esthetic reasons.

We protect the wood against moisture by using plastic decorative housings with a high durability.

Architecture



SMALL ARCHITECTURE, BIG POSSIBILITIES

- HOW TO DISCOVER THE CHILD IN ONESELF.

ART

Every one of our designs is the art of combining the youngest users' psychophysical need of development with the beauty of small architecture skillfully embedded into the landscape. We have been designing development plans of green areas for 16 years.

FULFILLMENT OF DREAMS

Our designing department has been fulfilling children's' and teenagers' dreams of a wonderful and safe open-air playtime

COMPLIANCE WITH THE STANDARD

Safety and compliance with the Construction Law and regulations regarding certification are a priority for us. All devices in our sales programme are designed for children over 3 years old.

The construction of a playground, which is part of **SMALL ARCHITECTURE**, does not require a construction permit.

The construction of small architecture, including playgrounds, requires filing an application with the required body.

The application must be accompanied by a land development plan together with a technical description of the installation performed by a designer with proper construction rights.

COBRABID-BBC BIURO BADAŃ I CERTYFIKACJI Sp. z o.o.
ZAKŁAD CERTYFIKACJI COBRABID-BBC
Institute of Certification COBRABID-BBC



AC 045

CERTYFIKAT ZGODNOŚCI Nr 314/10

Nazwa i adres posiadacza certyfikatu: **Place Zabaw „SATERNUS” Sp. z o.o.**
ul. Parkowa 3, 41-503 Chorzów

Nazwa i adres producenta: **J. w.**

Nazwa wyrobu: **LINARIUM WIDOKOWE SATERNUS na place zabaw kod 60056**

Odmiany: **-**

Symbol PKWiU: **36.40.14-90.3**

Wyrób spełnia wymagania bezpieczeństwa zawarte w:
PN-EN 1176-1:2009, PN-EN 1176-7:2009, PN-EN 1177:2009

Zgodnie ze sprawozdaniem z badań wykonanych przez **Instytut Statyczne**
konstrukcji mgr inż. Dorota Setlak upr. bud. SLK/1519/OWOK/06
SLK/2416/POOK/08, Arkusz oceny urz. rekreacji

Nr i data raportu: **Obliczenia statyczne – jest**
Arkusz Nr 10 z dnia

Prawo do oznaczania w zakresie
Dotyczy wyłącznie
(parametry) jak przedstawia
określonym powołanej.
Prawa i obowiązki posiadacza
z dnia 12.11.2010r.



Montage



SMALL ARCHITECTURE, BROAD PERSPECTIVES

- how to comprehensively construct a perfect playground.

EXPERIENCE

Saternus has been realizing the service of playground equipment assembly together with land preparation for 16 years, domestically and abroad. In order to do this, we use specialist equipment and assembly groups which are professionally trained by the manufacturer

COMPLIANCE WITH THE PN - EN - 1176 - 7 STANDARD

safety and compliance with the Construction Law and regulations regarding certification are a priority for us. We act based on:

- THE ACT FROM JULY 7, 1994, CONSTRUCTION LAW - Chapter 4, art. 30, pt. 4,
- REGULATION OF THE MINISTER OF INFRASTRUCTURE FROM APRIL 12, 2002 regarding the technical conditions which are to be fulfilled by buildings and their location.

COMPREHENSIVENESS

Our task is a professional and comprehensive customer service which enables putting finished playgrounds to use within 1-4 days, depending on the number of pieces of equipment and the required ground.

PROFESSIONALISM

Choosing the assembly services of Saternus you can be sure that each device will be assembled in accordance with the manufacturer's requirements and the assembly instruction. You should bear in mind that an improper assembly, noncompliance with safety zones and improper ground constitute a threat to the playing child. It is worth noting that the previously mentioned threats may additionally become the cause of a faster wear of devices and loss of warranty. .

SAFETY

A competent assembly of equipment and putting the playground to use quickly is a priority for us! A prolonged construction, equipment not fully assembled, unsecured fall heights, unprepared ground, etc. are potential threats to curious-by-nature kids.



SMALL ARCHITECTURE, GREAT EXPECTATIONS

- how to guarantee safety when using playgrounds.

GUARANTEE AND POST-GUARANTEE SERVICE

By purchasing Saternus playgrounds you receive more than just pretty equipment which perfectly matches the surroundings. A guarantee and post-guarantee maintenance service will ensure that your playground is in a perfect technical state for a long time, providing safe and joyful play to its users.

SERVICING OBLIGATION

For 10 years our company has been providing guarantee and post-guarantee service, thanks to which, with a minimum commitment of the investor, the annual servicing obligation is fulfilled.

PROFESSIONALISM

Deciding to conduct a control of playground equipment by our service team, you can be certain that it will be performed by manufacturer's well-trained professionals with years of experience.

PN – EN – 1176-7 STANDARD

Regulates the whole control process, and the survey frequency depends on the use and load of the object:

- regular control through visual inspection,
- functional control.
- annual basic control.

TECHNICAL CONTROL CERTIFICATE

We finish the technical survey of equipment each time by issuing a technical control certificate and a possible listing of elements which require renovation and repair. In case of a lack of damages, the company issues a certificate allowing the equipment for further exploitation, which is synonymous with placing a guarantee and a civil liability insurance on the equipment for a period of subsequent 12 months.





List of contents

Wooden Sets p. 10

- Play Sets p. 12
- Locomotives, carriages & houses p. 90
- Drawing boards and Interactive Games p. 98

Metal Sets p. 104

Swings p. 128

- Wooden Swings p. 130
- Metal swings with square cross-section p. 136
- Metal swings with round cross-section p. 142
- Swings on a spring - Kiwak p. 151

Sandboxes p. 156

- Wooden sandboxes p. 158
- Concrete sandboxes p. 167

Roundabouts p. 170

Rope Constructions p. 184

Sport and Wellness Sets p. 204

- Fitness trail for youth and adults p. 206
- Fitness sets p. 216
- Climbing walls p. 220
- Sport equipment p. 228

Additional Sets p. 236

- Benches p. 238
- Trash Containers p. 239

Surfaces s. 240



Wooden Sets

Play Sets

10001	Patricia set	(Device easily accessible, no age limit)	p. 12
10030	Darek set	(Device non easily accessible, no age limit)	p. 13
10002	Preschooler set	(Device non easily accessible, no age limit)	p. 14
10059	Arthur set	(Device non easily accessible, no age limit)	p. 16
10003	Balbinka 01 set	(Device easily accessible, no age limit)	p. 18
10004	Emily 01 set	(Device easily accessible, no age limit)	p. 20
10005	Emil 01 set	(Device easily accessible, no age limit)	p. 21
10006	Integration Jimmy set	(Device easily accessible, no age limit)	p. 22
10007	Integration Jack set	(Device easily accessible, no age limit)	p. 24
10042	Barbara set	(Device easily accessible, no age limit)	p. 26
10045	Toddler set	(Device easily accessible, no age limit)	p. 27
10041	Martha set	(Device non easily accessible, no age limit)	p. 28
10022	Slide for kid	(Device easily accessible, no age limit)	p. 29
20002	Tom set	(Device easily accessible, no age limit)	p. 30
20001	Tomek set	(Device non easily accessible, no age limit)	p. 32
20007	Thomas set	(Device easily accessible, no age limit)	p. 34
20003	Romek set	(Device easily accessible, no age limit)	p. 36
20008	Roman set	(Device non easily accessible, no age limit)	p. 38
20004	Tymon set	(Device easily accessible, no age limit)	p. 40
30001	Patrick set	(Device easily accessible, no age limit)	p. 41
30041	Ikar set	(Device non easily accessible, no age limit)	p. 42
30004	Balbinka 02 set	(Device non easily accessible, no age limit)	p. 44
30023	Balbina set	(Device non easily accessible, no age limit)	p. 46
30045	Julia set	(Device non easily accessible, no age limit)	p. 48
30006	Emily 02 set	(Device non easily accessible, no age limit)	p. 50
30007	Emil 02 set	(Device non easily accessible, no age limit)	p. 51
30009	Annie set	(Device non easily accessible, no age limit)	p. 52
30010	Hanna set	(Device non easily accessible, no age limit)	p. 54
30011	Manny set	(Device non easily accessible, no age limit)	p. 56
30012	Halina set	(Device non easily accessible, no age limit)	p. 58
30013	Alina set	(Device non easily accessible, no age limit)	p. 60
30013_L	Alina set with a banana slide	(Device non easily accessible, no age limit)	p. 62
30014	Caroline set	(Device non easily accessible, no age limit)	p. 64
30021	Caroline Mini set	(Device non easily accessible, no age limit)	p. 66
30025	Karolinka set	(Device non easily accessible, no age limit)	p. 68
30046	Milena set	(Device non easily accessible, no age limit)	p. 70
30032	Ola set	(Device non easily accessible, no age limit)	p. 72
30035	Olka set	(Device non easily accessible, no age limit)	p. 74
30036	Jola set	(Device non easily accessible, no age limit)	p. 76
30037	Tola set	(Device non easily accessible, no age limit)	p. 78
30033	Colorful Yard set	(Device non easily accessible, no age limit)	p. 80
30043	Funny Yard set	(Device non easily accessible, no age limit)	p. 82
30034	Favourite Yard set	(Device non easily accessible, no age limit)	p. 84
30044	Twisted Yard set	(Device non easily accessible, no age limit)	p. 86
30042	The Ana-Maria Ship	(Device non easily accessible, no age limit)	p. 88

Locomotives, carriages and playhouses

p.90

10008	Locomotive with a tunnel	(Device easily accessible, no age limit)	p. 90
10009	Locomotive with a bench	(Device easily accessible, no age limit)	p. 91
10023	Locomotive with a deck	(Device easily accessible, no age limit)	p. 92
10010	Open Carriage	(Device easily accessible, no age limit)	p. 93
10011	Half-open Carriage	(Device easily accessible, no age limit)	p. 94
10012	Closed Carriage	(Device easily accessible, no age limit)	p. 95
10025	Playhouse Aga	(Device easily accessible, no age limit)	p. 96
10024	Playhouse Agatka	(Device easily accessible, no age limit)	p. 97

Drawing boards and Integration Games

p.98

10035	Integration game Noughts and Crosses		p. 98
20005_2	Single drawing board		p. 99
20005_3	Double drawing board		p. 99
20005_1	Triple drawing board		p. 99
80944	Small Tam-tam drums		p.100
81748	Big Tam-tam drums		p.101
81749	Drums Circle		p.102

Device easily accessible, no age limit

Patricia set

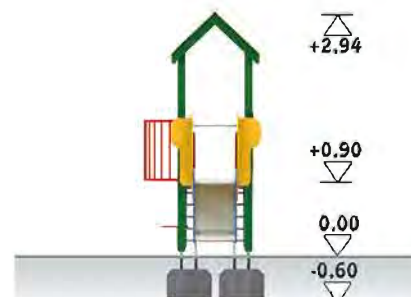
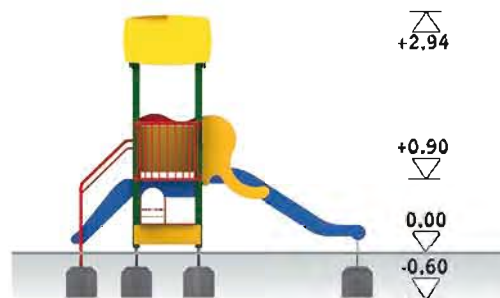
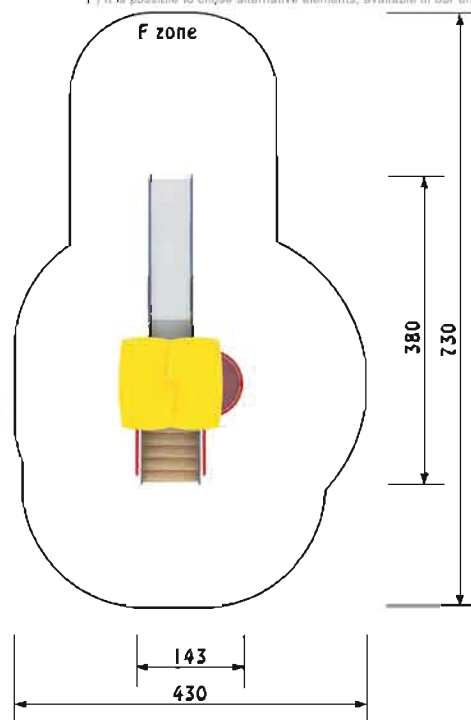
10001

Free zone	23,16 m ²
Minimum space	730 cm / 430 cm
Maximum set dimension	380 / 143 / 294 cm
Weight	340 kg
Surfacing:	sand, gravel, bark, synthetic, grass
Free height of fall	90 cm

- The set consists of:
- tower with roof, platform height 90cm 1 pc
 - entrance stairs height 90cm 1 pc
 - balcony 1 pc
 - slide height 90 cm 1 pc
 - little shop 1 pc



(*) It is possible to choose alternative elements, available in our offer



Device easily accessible, no age limit

10030

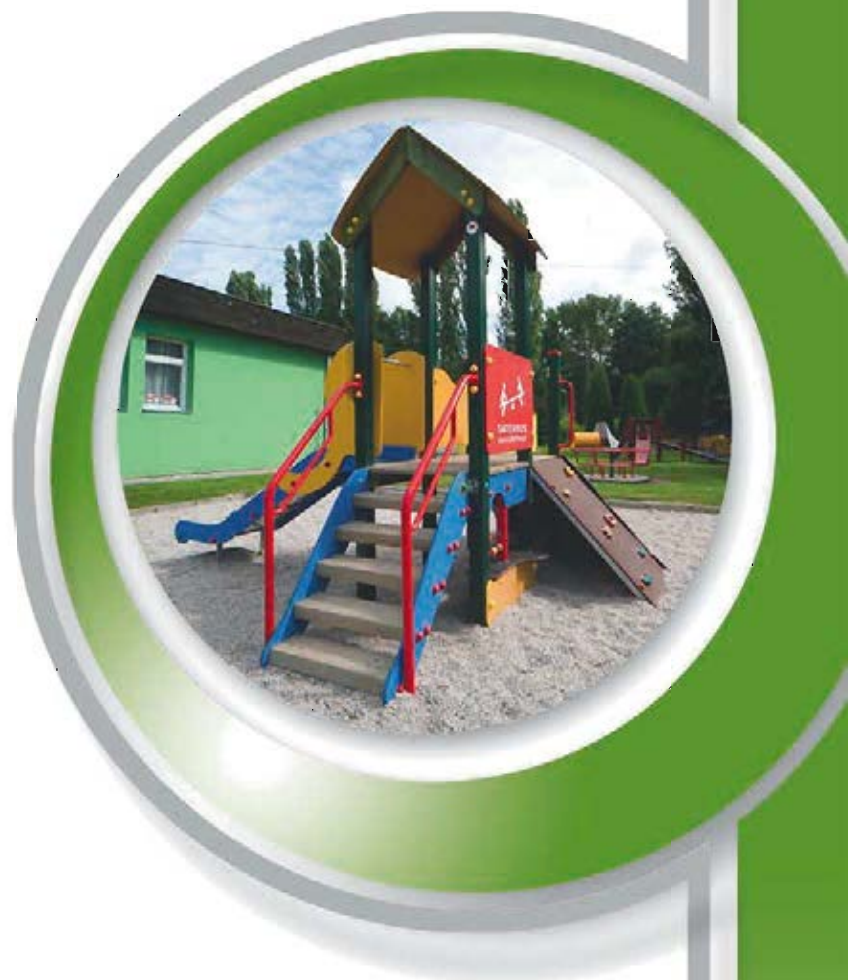
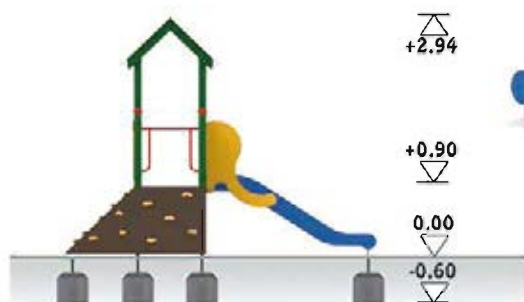
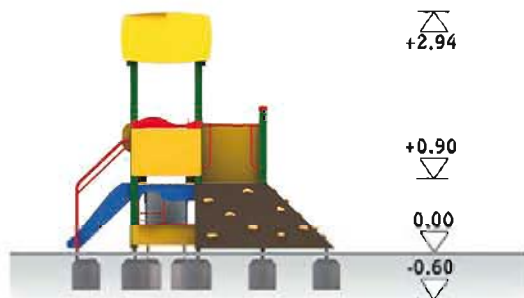
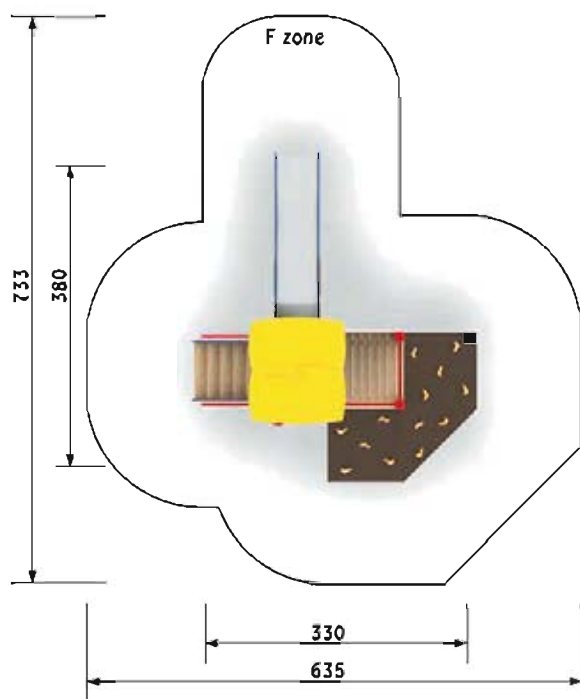
Darek set

Free zone	31,35 m ²
Minimum space	733 cm / 635 cm
Maximum set dimension	330 / 380 / 294 cm
Weight	490 kg
Surfacing: sand, gravel, bark, synthetic, grass	
Free height of fall	90 cm

The set consists of: *

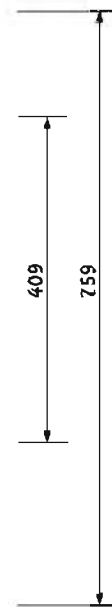
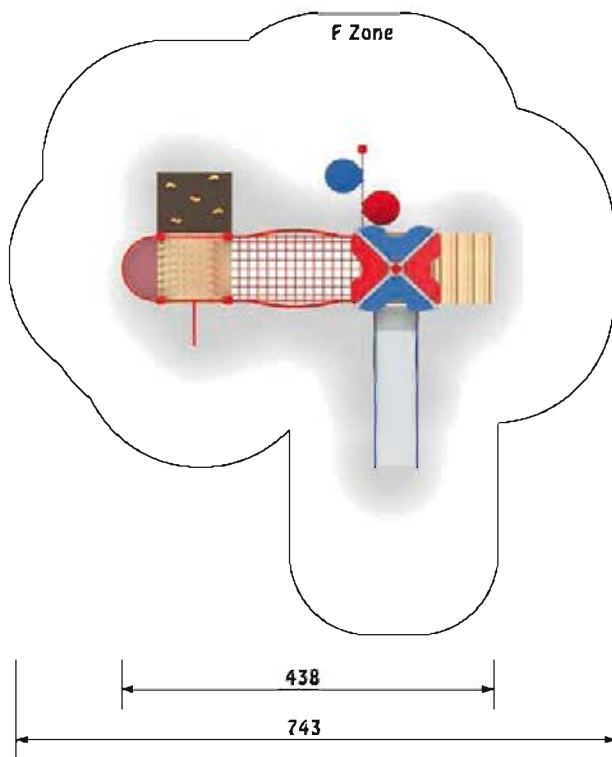
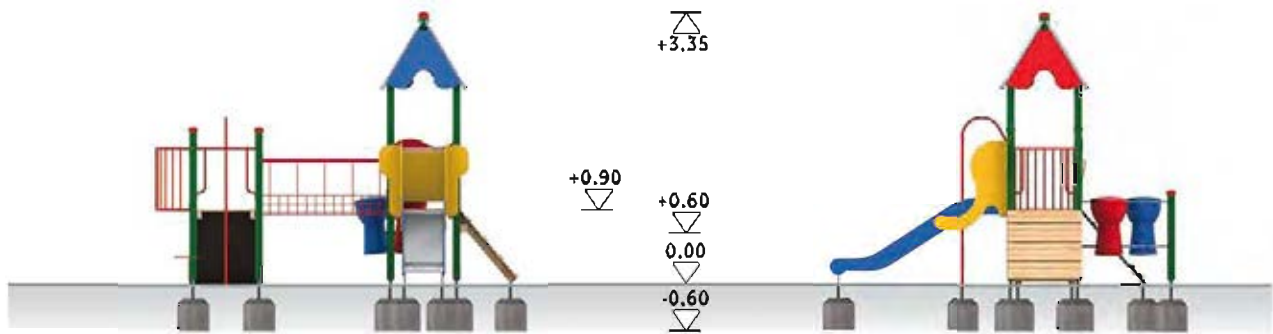
- tower with roof, platform height 90cm 1 pc
- tower without roof, platform height 90cm 1 pc
- entrance gangway height 90cm 1 pc
- climbing wall height 90cm 1 pc
- slide height 90cm 1 pc
- little shop 1 pc

(* it is possible to chose alternative elements, available in our offer



Preschooler set



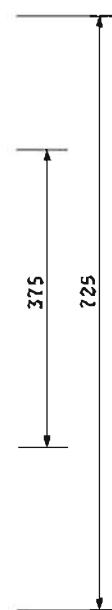
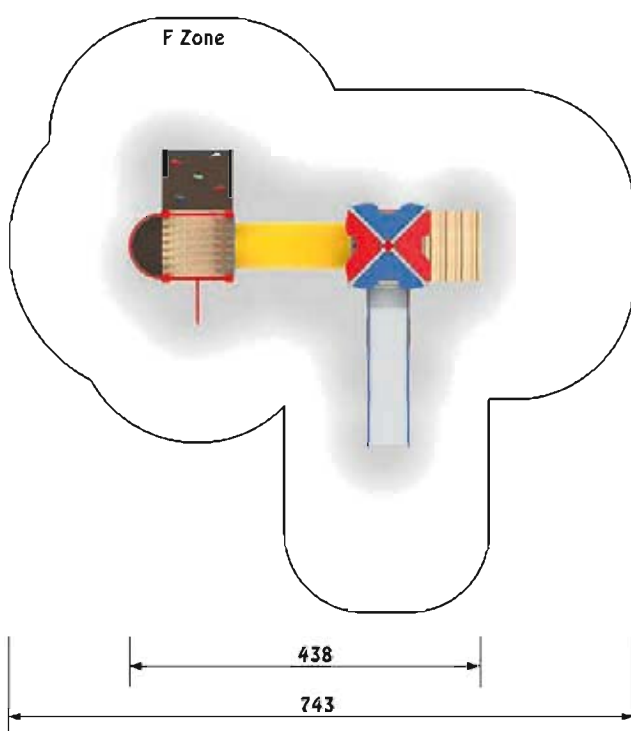
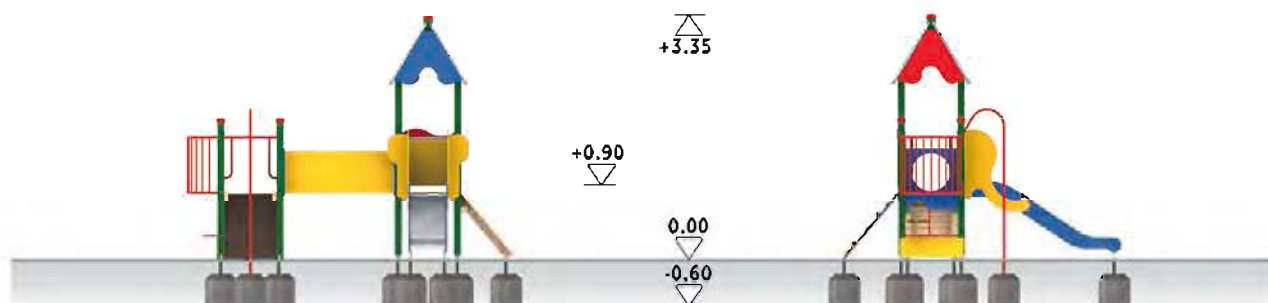


Free zone	38,16 m ²
Minimum space	759 cm / 743 cm
Maximum set dimension	409 cm / 438 cm / 335 cm (height)
Weight	555 kg
Surfacing: sand, gravel, bark, synthetic, grass	
Free height of fall	90 cm
The set consists of:	
- tower with roof, platform height 90cm	1 pc
- tower without roof, platform height 90cm	1 pc
- slanting climbing wall height 90 cm	1 pc
- rope bridge	1 pc
- entrance gangway height 90cm	1 pc
- little shop	1 pc
- balcony	1 pc
- slide height 90cm	1 pc
- fireman pipe height 90 cm	1 pc
- small Tam - Tam drums	1 pc

(*) It is possible to chose alternative elements, available in our offer

Arthur set



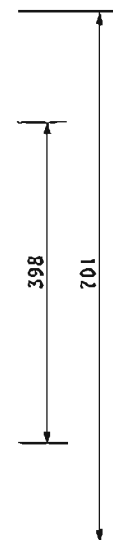
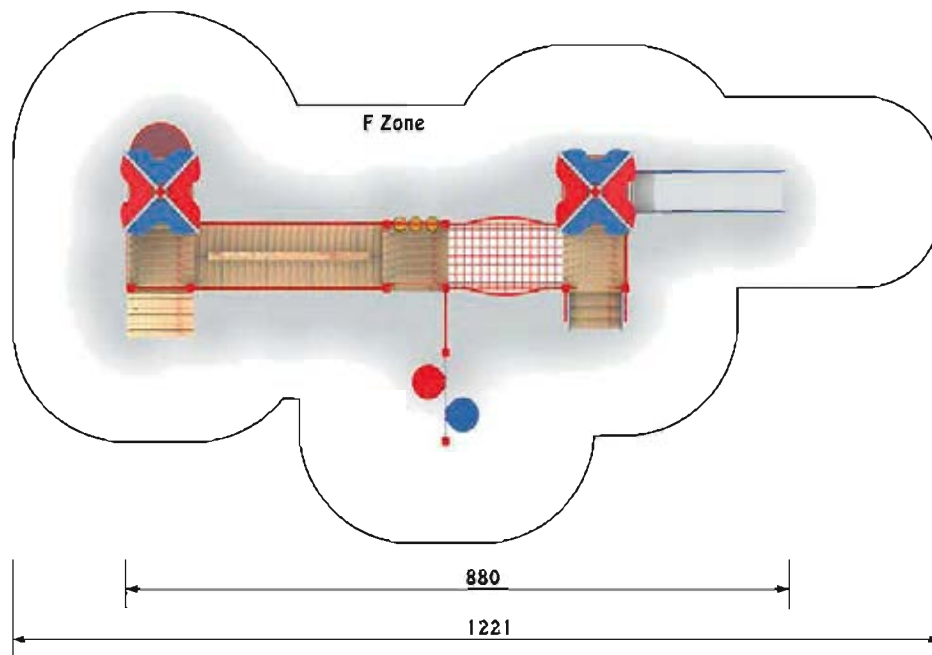


Free zone	35,56 m ²
Minimum space	725 cm / 743 cm
Maximum set dimension	375 cm / 438 cm / 335 cm (height)
Weight	555 kg
Surfacing: sand, gravel, bark, synthetic, grass	
Free height of fall	90 cm
The set consists of:	
- tower with roof, platform height 90cm	1 pc
- tower without roof, platform height 90cm	1 pc
- slanting climbing wall height 90 cm	1 pc
- tunnel	1 pc
- entrance gangway height 90cm	1 pc
- little shop	1 pc
- balcony	1 pc
- slide height 90cm	1 pc
- fireman pipe height 90 cm	1 pc

(*) It is possible to chose alternative elements, available in our offer

Balbinka 01 set





Free zone	56,81 m ²
Minimum space	1221 cm / 701 cm
Maximum set dimension	880 cm / 398 cm / 335 cm (height)
Weight	1075 kg
Surfacing: sand, gravel, bark, synthetic, grass	
Free height of fall	90 cm
The set consists of:	
- tower with roof, platform height 90 cm	2 pcs
- tower without roof, platform height 55cm	3 pcs
- deck made of moving blocks	1 pc
- rope bridge	1 pc
- entrance gangway height 55 cm	1 pc
- entrance stairs height 55 cm	1 pc
- small duo somersault height 75 cm i 90 cm	1 pc
- little shop	1 pc
- balcony	1 pc
- slide height 90 cm	1 pc
- noughts and crosses	1 pc
- small Tam - Tam drums	1 pc

(*) It is possible to chose alternative elements, available in our offer

Device easily accessible, no age limit

Emily O1 set

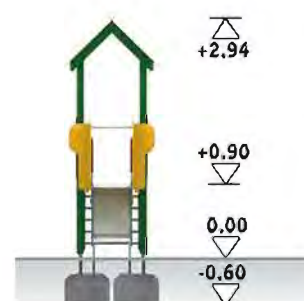
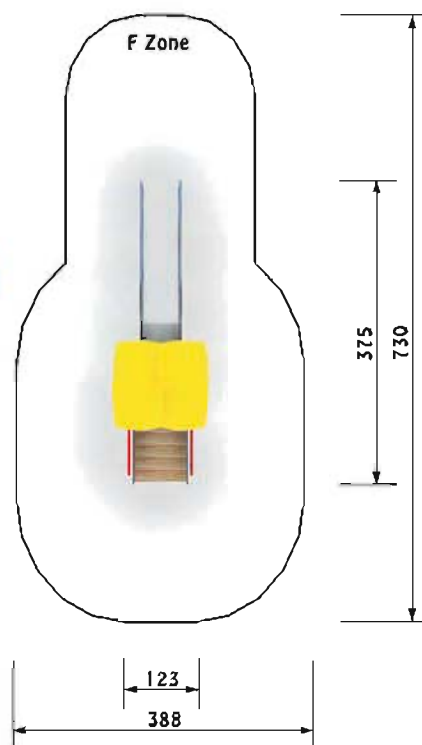
10004



Free zone	22.46 m ²
Minimum space	730 cm / 388 cm
Maximum set dimension	375 / 123 / 294 cm
Weight	320 kg
Surfacing: sand, gravel, bark, synthetic, grass	
Free height of fall	90 cm

- The set consists of:
- lower with roof, platform height 90 cm 1 pc
 - entrance stairs height 90 cm 1 pc
 - slide height 90 cm 1 pc

(*) It is possible to choose alternative elements, available in our offer



Device easily accessible, no age limit

10005

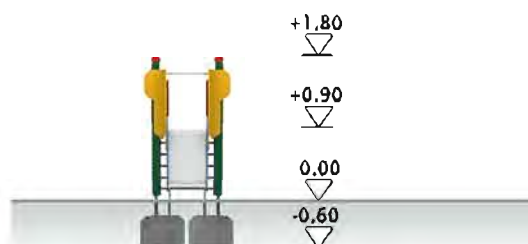
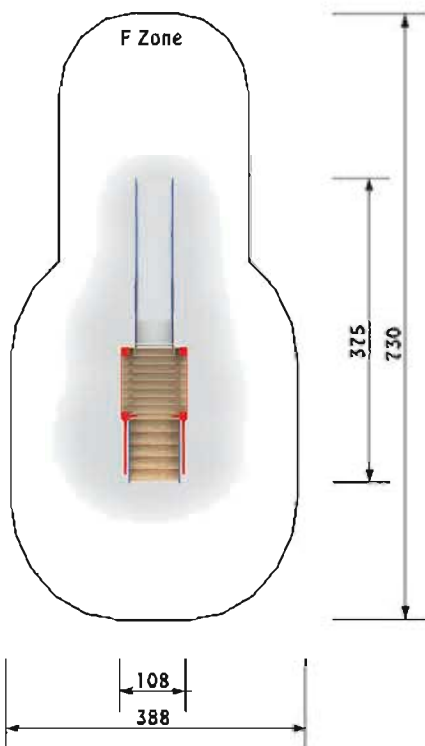
Emil 01 set

Free zone	22,48 m ²
Minimum space	730 cm / 388 cm
Maximum set dimension	375 / 108 / 180 cm
Weight	255 kg
Surfacing: sand, gravel, bark, synthetic, grass	
Free height of fall	90 cm

The set consists of:

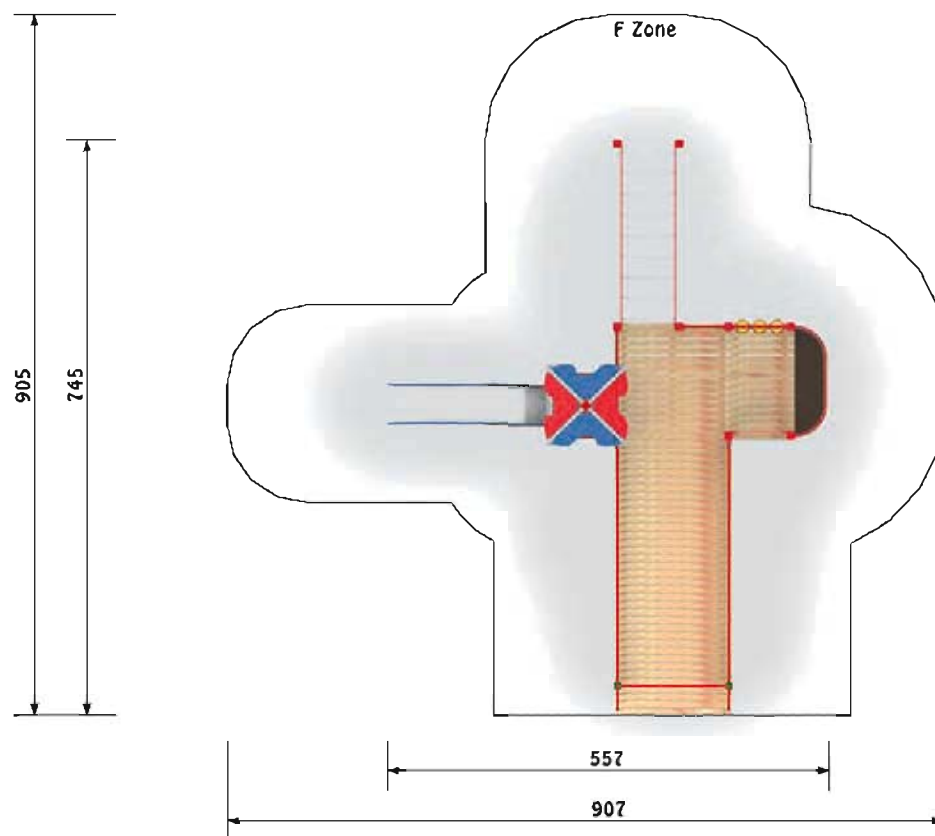
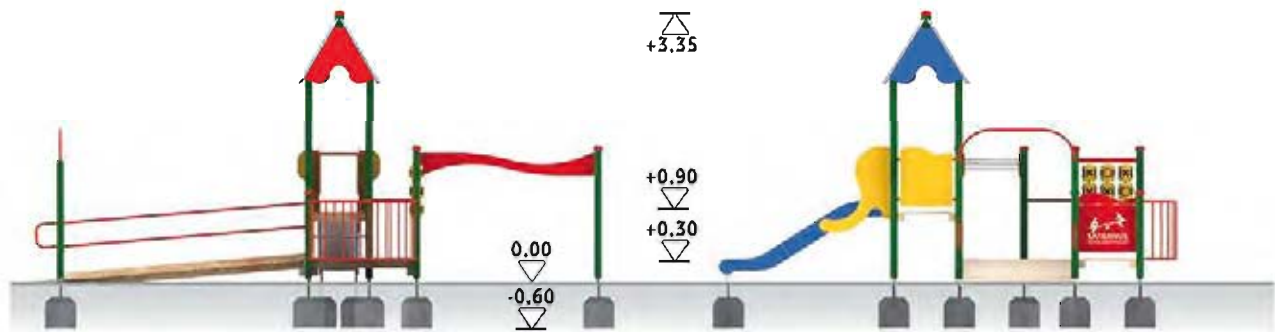
- tower without roof, platform height 90 cm 1 pc
- entrance stairs height 90 cm 1 pc
- slide height 90 cm 1 pc

(*1) It is possible to chose alternative elements, available in our offer



Integration Jimmy set





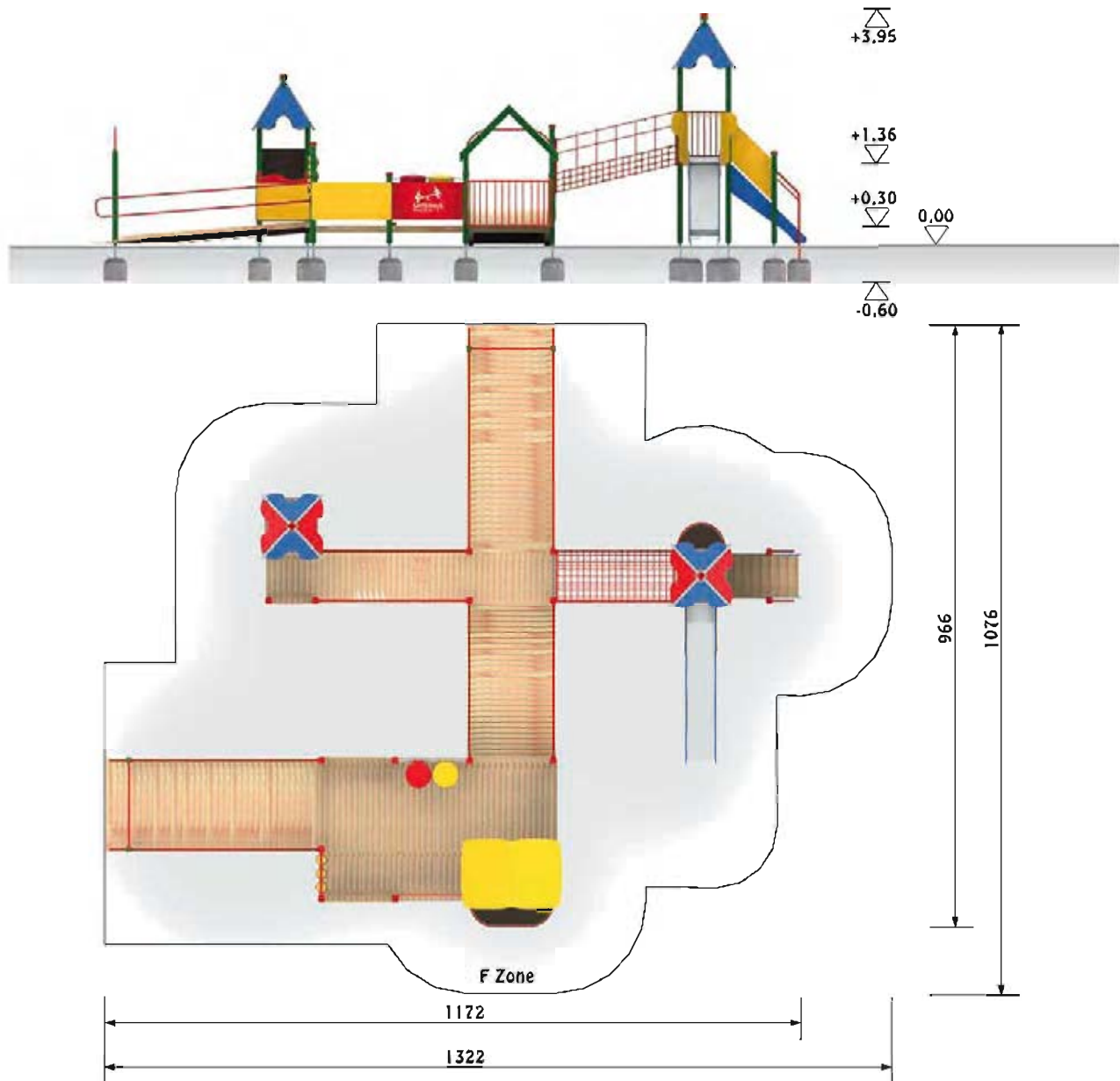
Free zone	50.91 m ²
Minimum space	907 cm / 905 cm
Maximum set dimension	557 cm / 745 cm / 335 cm (height)
Weight	900 kg
Surfacing: sand, gravel, bark, synthetic	
Free height of fall	165 cm
The set consists of:	
- tower with roof, platform height 90 cm	1 pc
- big platform height 30 cm	1 pc
- driving gangway height 30 cm	1 pc
- small horizontal ladder	1 pc
- slide height 90 cm	1 pc
- wide balcony	1 pc
- noughts and crosses	1 pc



(*1) It is possible to chose alternative elements, available in our offer.

Integration Jack set





Free zone	104.07 m ²
Minimum space	1322 cm / 1076 cm
Maximum set dimension	1172 cm / 966 cm / 395 cm (height)
Weight	2540 kg
Surfacing: sand, gravel, bark, synthetic	
Free height of fall	136 cm
The set consists of:	
- tower with roof, platform height 136 cm	1 pc
- tower with roof, platform height 30 cm	1 pc
- wide tower with roof height 30 cm	1 pc
- tower without roof height 30 cm	1 pc
- wide tower without roof height 30 cm	1 pc
- wide platform height 30 cm	1 pc
- entrance stairs height 136 cm	1 pc
- driving gangway height 30 cm	2 pcs
- arch bridge	1 pc
- slide height 136 cm	1 pc
- balcony	1 pc
- integraling balcony	1 pc
- slanting rope passage	1 pc
- noughts and crosses	1 pc
- drawing board	1 pc
- small Tam-Tam drums	1 pc



(*) It is possible to chose alternative elements, available in our offer

Device easily accessible, no age limit

Barbara set

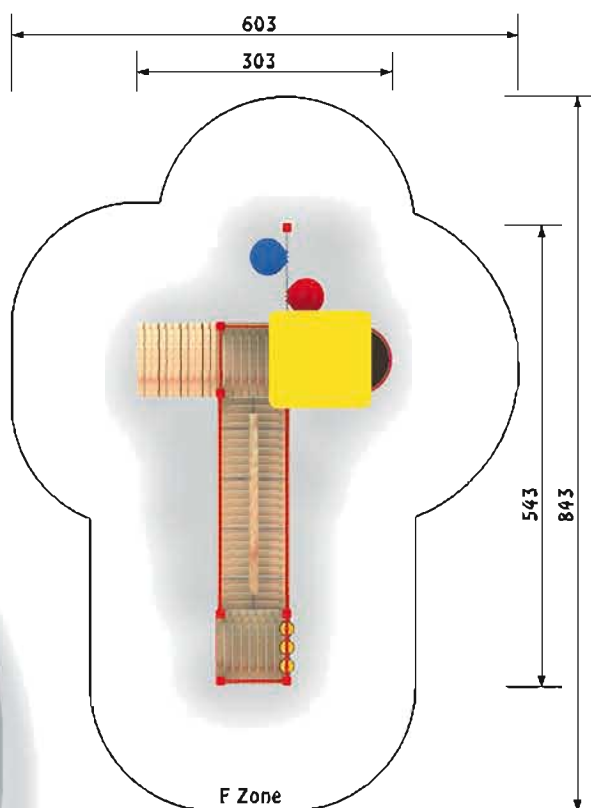
10042



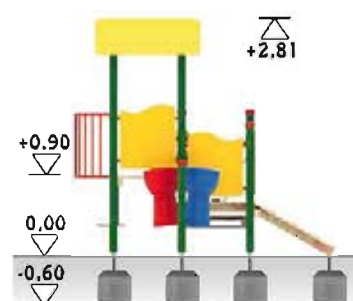
Free zone	37.00 m ²
Minimum space	843 cm / 603 cm
Maximum set dimension	543 / 303 / 281 cm
Weight	320 kg
Surfacing:	sand, gravel, bark, synthetic, grass
Free height of fall	90 cm

- The set consists of:
- tower with roof, platform height 90 cm 1 pc
 - tower without roof, platform height 55 cm 2 pcs
 - entrance gangway height 60 cm 1 pc
 - balcony 1 pc
 - deck made of moving blocks 1 pc
 - big Tam-Tam drums 1 pc
 - noughts and crosses 1 pc
 - little shop 1 pc

(*) It is possible to choose alternative elements, available in our offer



F Zone



Device easily accessible, no age limit

10045

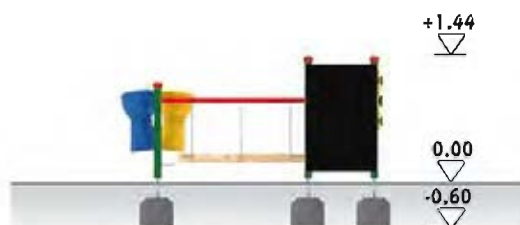
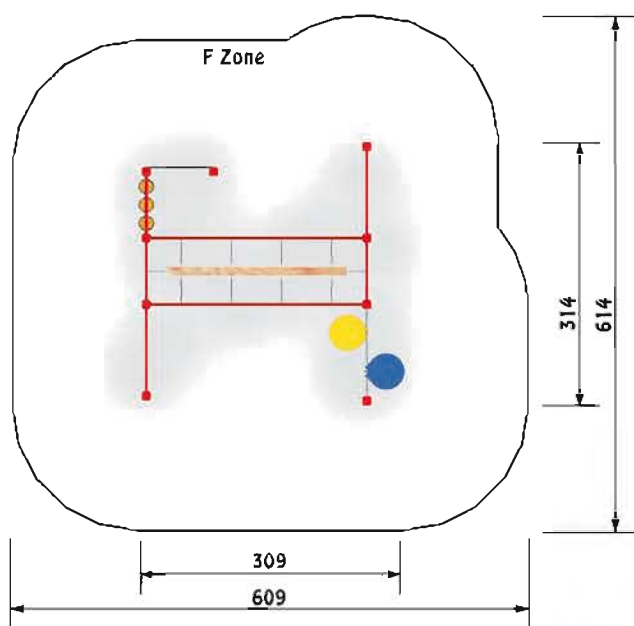
Toddler set

Free zone	33,42 m ²
Minimum space	609 cm / 614 cm
Maximum set dimension	309 / 314 / 144 cm
Weight	255 kg
Surfacing: sand, gravel, bark, synthetic, grass	
Free height of fall	90 cm

The set consists of:

- deck made of moving blocks	1 pc
- small Tam-Tam drums	1 pc
- noughts and crosses	1 pc
- drawing board	1 pc
- small duo somersault	2 pc

* It is possible to choose alternative elements, available in our offer



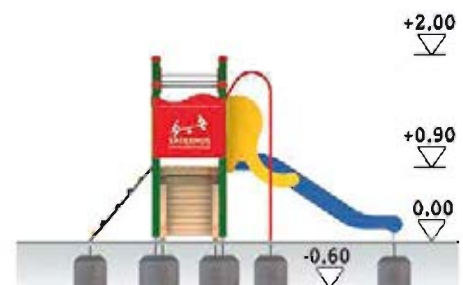
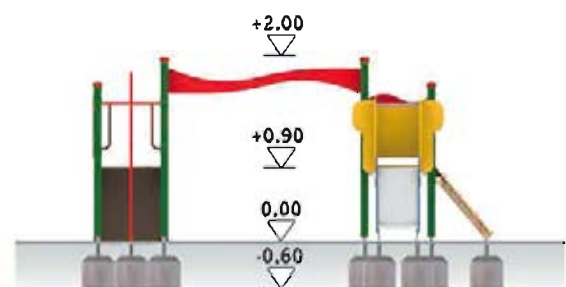
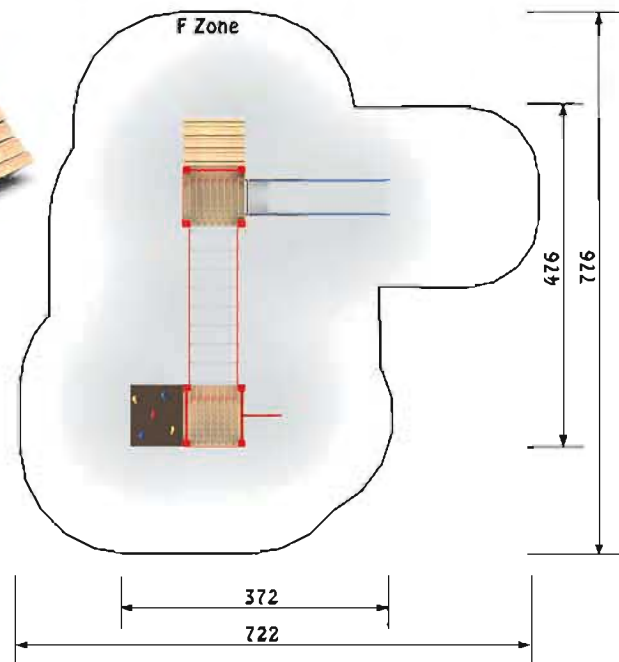
Martha set

10041

Free zone	38,80 m ²
Minimum space	776 cm / 722 cm
Maximum set dimension	476 / 372 / 200 cm
Weight	800 kg
Surfacing:	sand, gravel, bark, synthetic
Free height of fall	200 cm

- The set consists of:
- lower without roof, platform height 90 cm 2 pcs
 - fireman pipe height 90 cm 1 pc
 - small horizontal ladder 1 pc
 - slide height 90 cm 1 pc
 - climbing wall height 90cm 1 pc
 - entrance gangway 1 pc

(*) It is possible to chose alternative elements, available in our offer

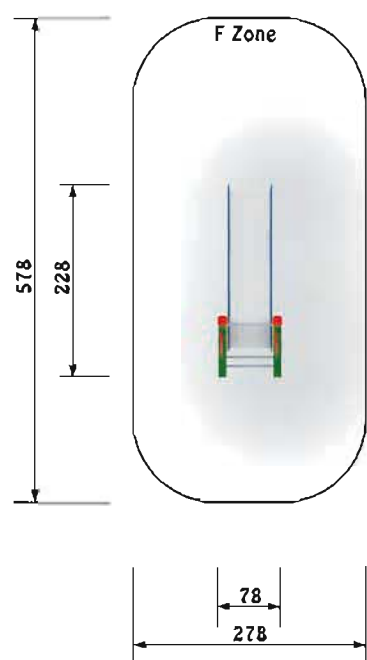


Device easily accessible, no age limit

10022

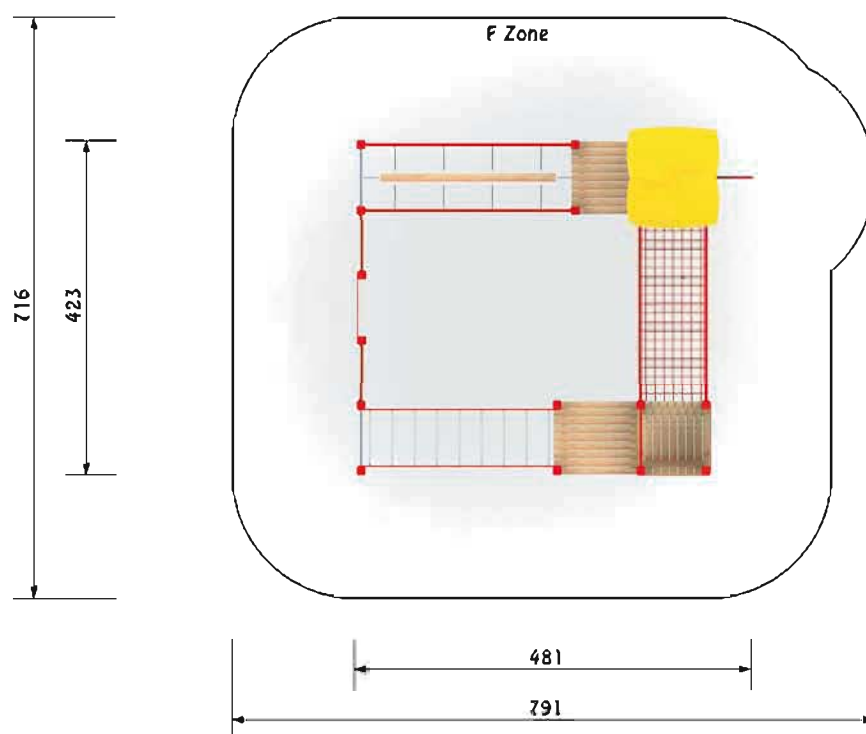
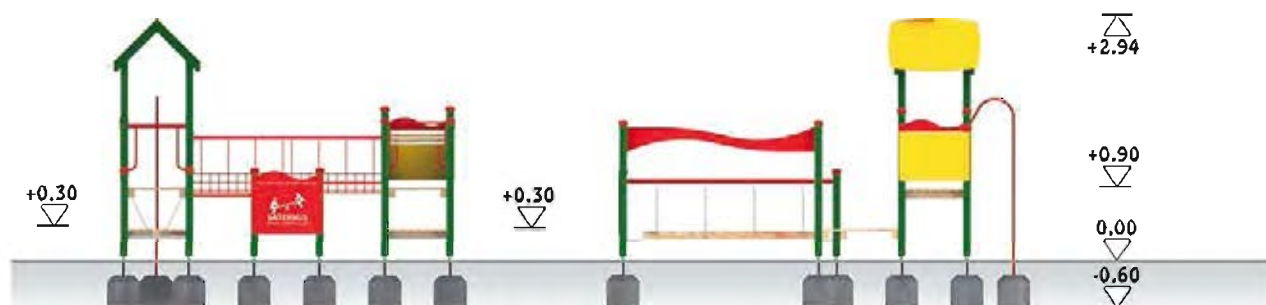
Slide for kid

Free zone	15,21 m ²
Minimum space	578 cm / 278 cm
Maximum set dimension	228 / 78 / 168 cm
Weight	80 kg
Surfacing: sand, gravel, bark, synthetic, grass	
Free height of fall	90 cm



Tom set



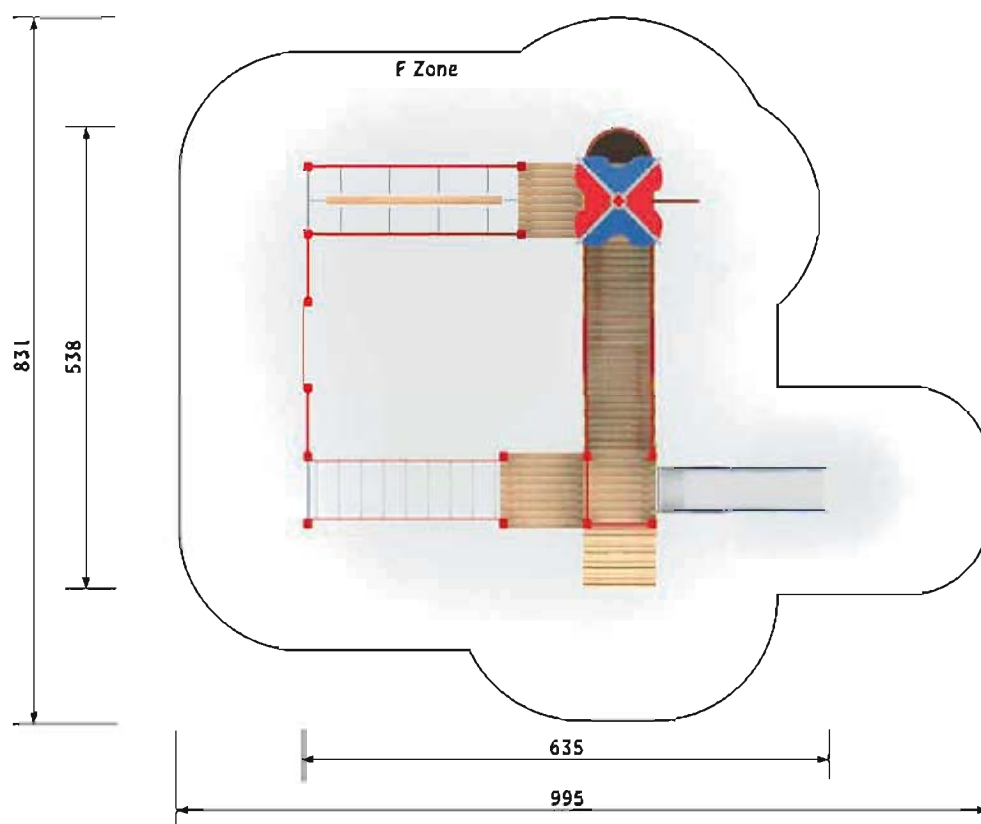
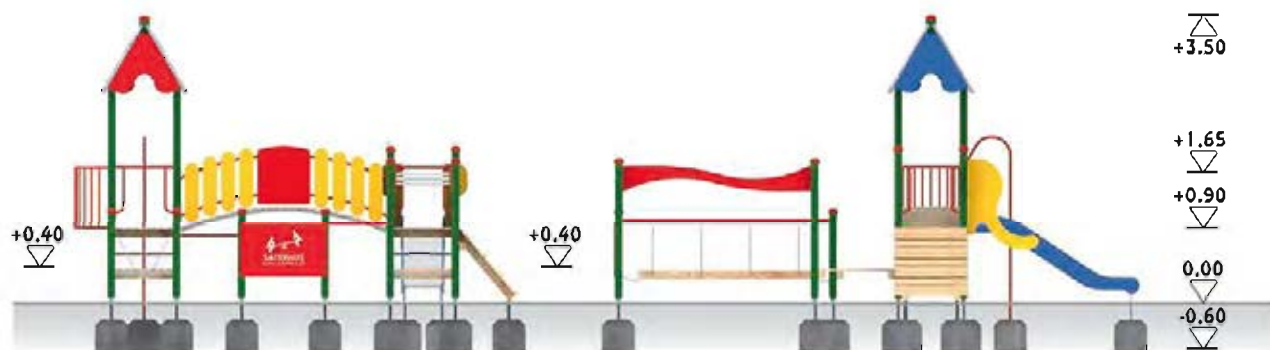


Free zone	51,54 m ²
Minimum space	791 cm / 716 cm
Maximum set dimension	481 cm / 423 cm / 294 cm (height)
Weight	745 kg
Surfacing: sand, gravel, bark, synthetic	
Free height of fall	165 cm
The set consists of:	
- tower with roof, platform height 90 cm	1 pc
- tower without roof, platform height 90 cm	1 pc
- tower without roof, platform height 30 cm	1 pc
- tower without roof, wide platform height 30 cm	1 pc
- fireman pipe height 90 cm	1 pc
- rope bridge	1 pc
- small horizontal ladder	1 pc
- deck made of moving blocks	1 pc
- small duo somersault height 75 cm / 90 cm	1 pc

(*) It is possible to choose alternative elements, available in our offer

Tomek set



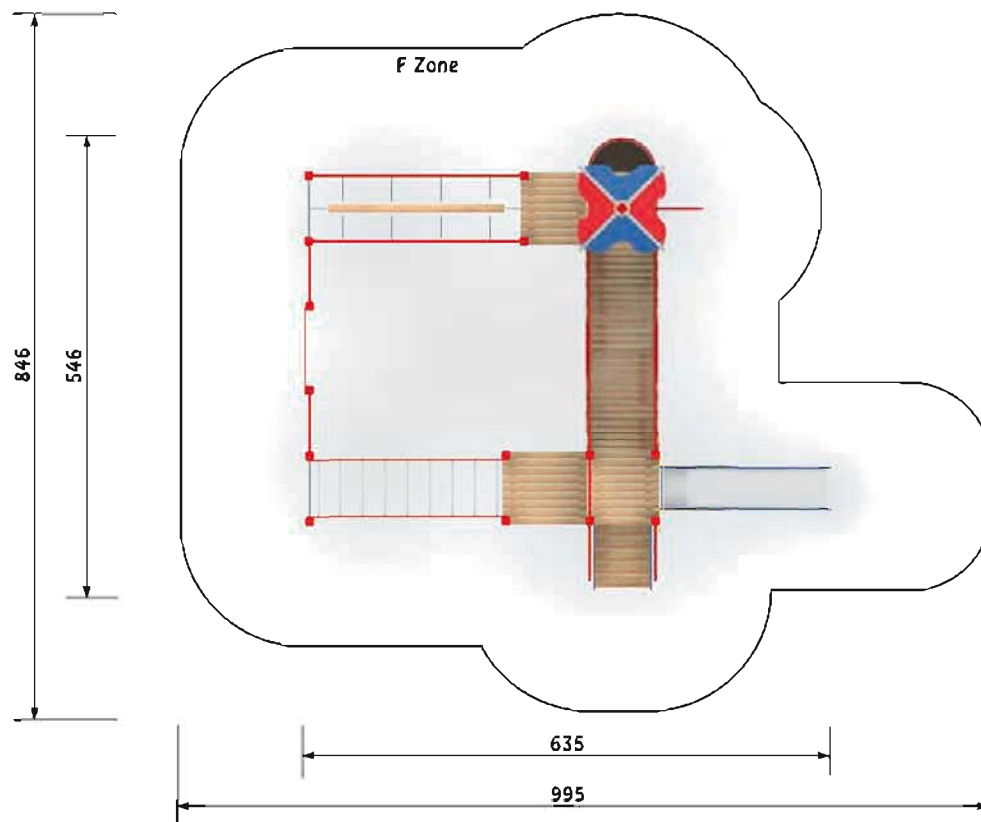
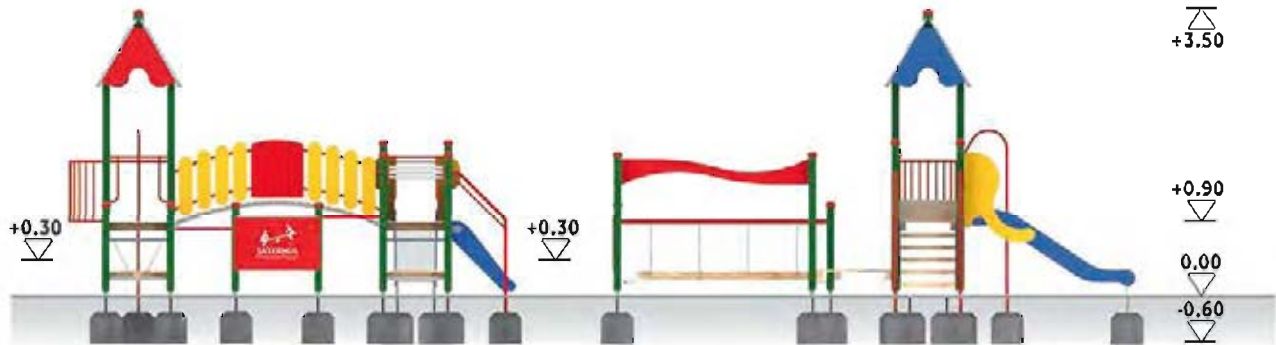


Free zone	61,95 m ²
Minimum space	995 cm / 831 cm
Maximum set dimension	635 cm / 538 cm / 350 cm (height)
Weight	955 kg
Surfacing: sand, gravel, bark, synthetic	
Free height of fall	165 cm
The set consists of:	
- tower with roof, platform height 90 cm	1 pc
- tower without roof, platform height 90 cm	1 pc
- tower without roof, platform height 40 cm	1 pc
- tower without roof, wide platform height 40 cm	1 pc
- entrance gangway height 90 cm	1 pc
- slide height 90 cm	1 pc
- balcony	1 pc
- fireman pipe height 90 cm	1 pc
- arch bridge	1 pc
- small horizontal ladder	1 pc
- deck	1 pc
- small duo somersault height 75 cm i 90 cm	1 pc

(*) It is possible to chose alternative elements, available in our offer

Thomas set



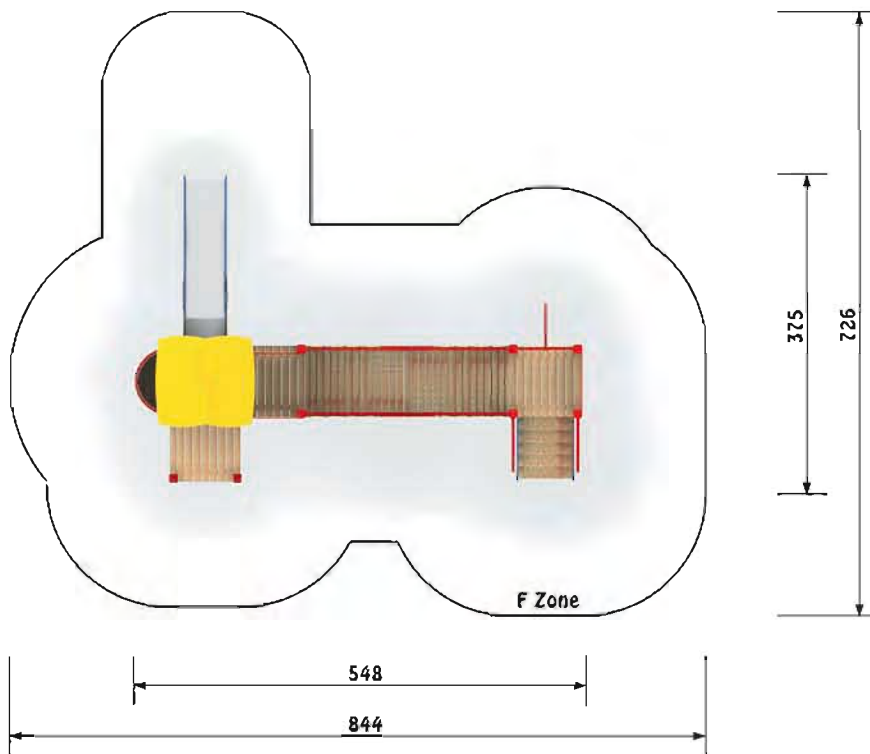
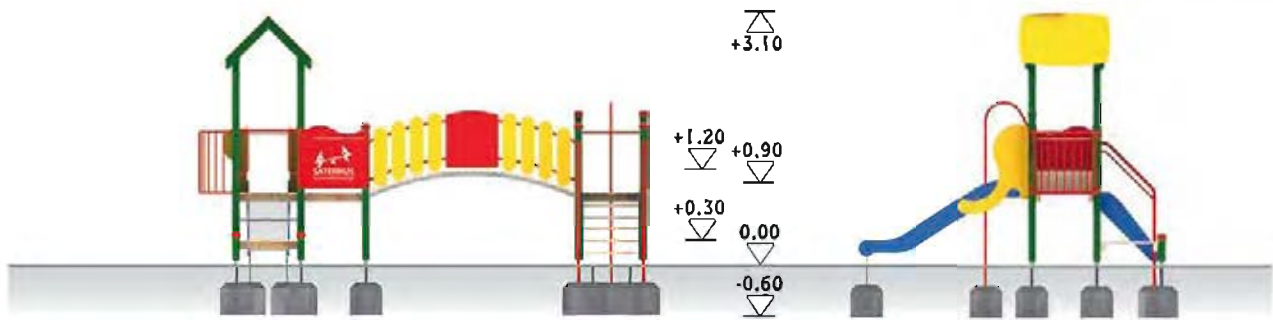


Free zone	62,19 m ²
Minimum space	995 cm / 846 cm
Maximum set dimension	635 cm / 546 cm / 350 cm (height)
Weight	955 kg
Surfacing: sand, gravel, bark, synthetic	
Free height of fall	165 cm
The set consists of:	
- tower with roof, platform height 90 cm	1 pc
- tower without roof, platform height 90 cm	1 pc
- tower without roof, platform height 30 cm	1 pc
- tower without roof, wide platform height 30 cm	1 pc
- entrance stairs height 90 cm	1 pc
- slide height 90 cm	1 pc
- balcony	1 pc
- fireman pipe height 90 cm	1 pc
- arch bridge	1 pc
- small horizontal ladder	1 pc
- deck made of moving blocks	1 pc
- small duo somersault height 75 cm i 90 cm	1 pc

(*) It is possible to chose alternative elements, available in our offer

Romek set



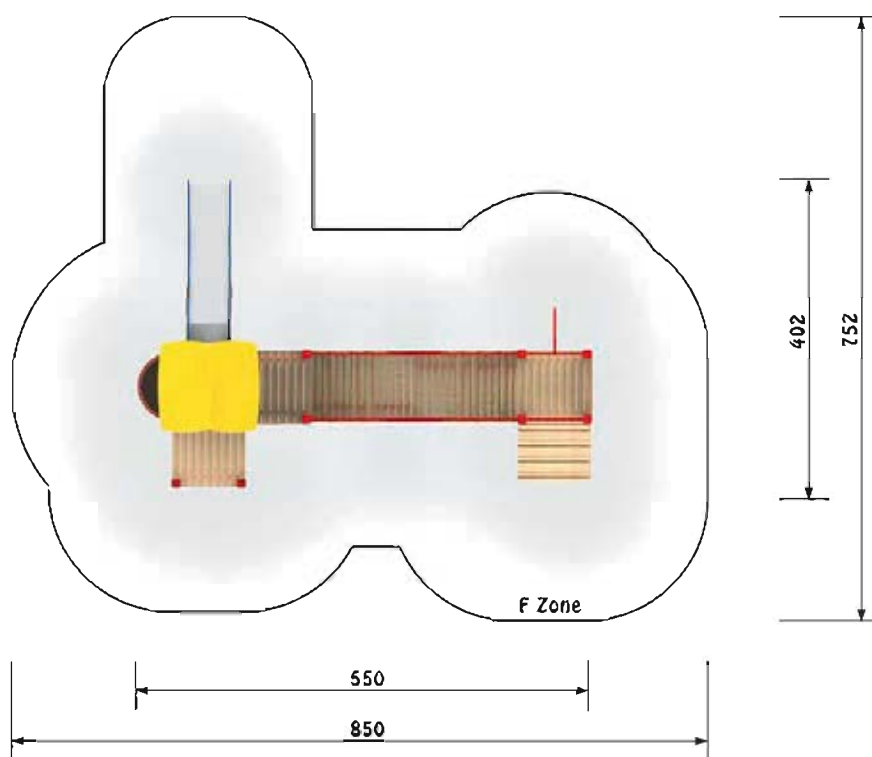
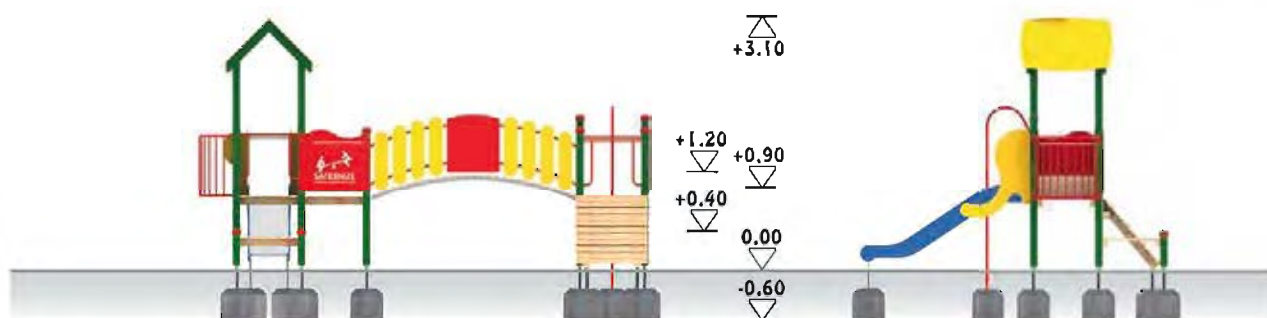


Free zone	42,52 m ²
Minimum space	844 cm / 726 cm
Maximum set dimension	548 cm / 375 cm / 310 cm (height)
Weight	705 kg
Surfacing: sand, gravel, bark, synthetic	
Free height of fall	120 cm
The set consists of:	
- tower with roof, platform height 90 cm	1 pc
- tower without roof, platform height 90 cm	2 pcs
- tower without roof, platform height 30 cm	1 pc
- arch bridge	1 pc
- slide height 90 cm	1 pc
- balcony	1 pc.
- entrance stairs height 90 cm	1 pc
- fireman pipe height 90 cm	1 pc

(*) It is possible to chose alternative elements, available in our offer

Roman set





Free zone	43,23 m ²
Minimum space	850 cm / 752 cm
Maximum set dimension	550 cm / 402 cm / 310 cm (height)
Weight	705 kg
Surfacing: sand, gravel, bark, synthetic	
Free height of fall	120 cm
The set consists of:	
- tower with roof, platform height 90 cm	1 pc
- tower without roof, platform height 90 cm	2 pcs
- tower without roof, platform height 45 cm	1 pc
- arch bridge	1 pc
- slide height 90 cm	1 pc
- balcony	1 pc
- entrance gangway height 90 cm	1 pc
- fireman pipe height 90 cm	1 pc

(*) It is possible to chose alternative elements, available in our offer

Device easily accessible, no age limit

Tymon set

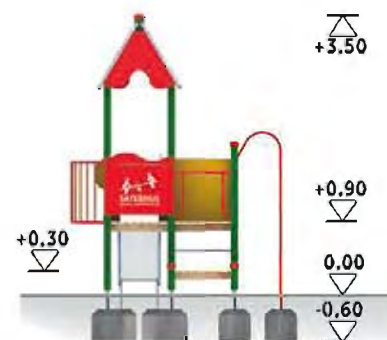
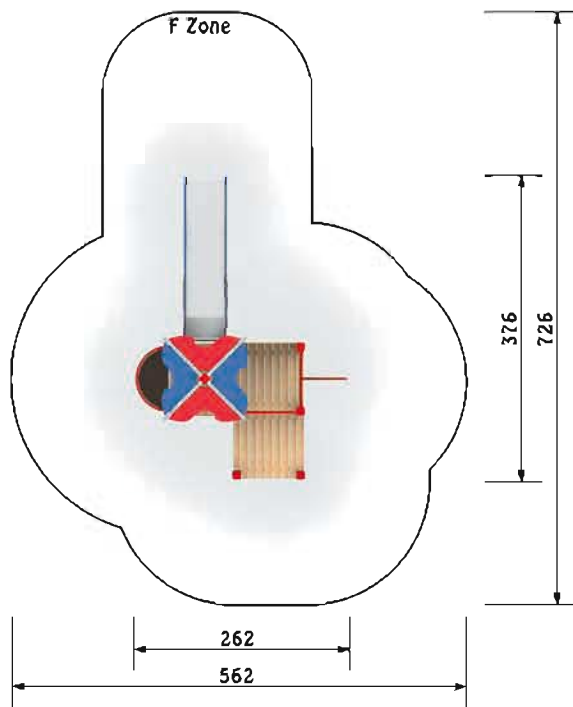
20004



Free zone	27,08 m ²
Minimum space	726 cm / 562 cm
Maximum set dimension	376 / 262 / 350 cm
Weight	395 kg
Surfacing:	sand, gravel, bark, synthetic, grass
Free height of fall	90 cm

- The set consists of:
- lower with roof, platform height 90 cm 1 pc
 - lower without roof, platform height 90 cm 1 pc
 - lower without roof, platform height 25 cm 1 pc
 - slide height 90 cm 1 pc
 - balcony 1 pc
 - fireman pipe height 90 cm 1 pc

(*) It is possible to chose alternative elements, available in our offer



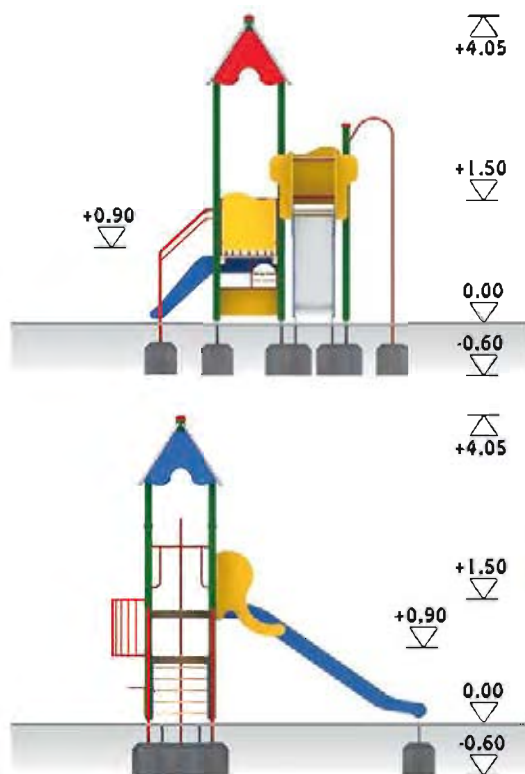
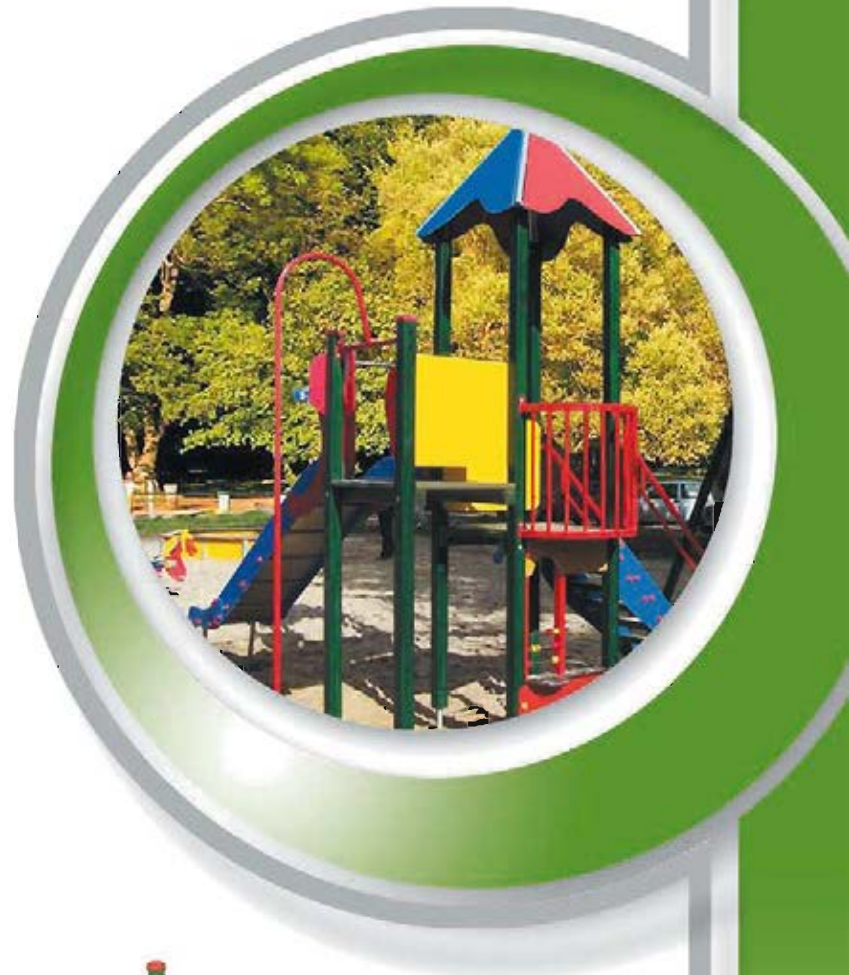
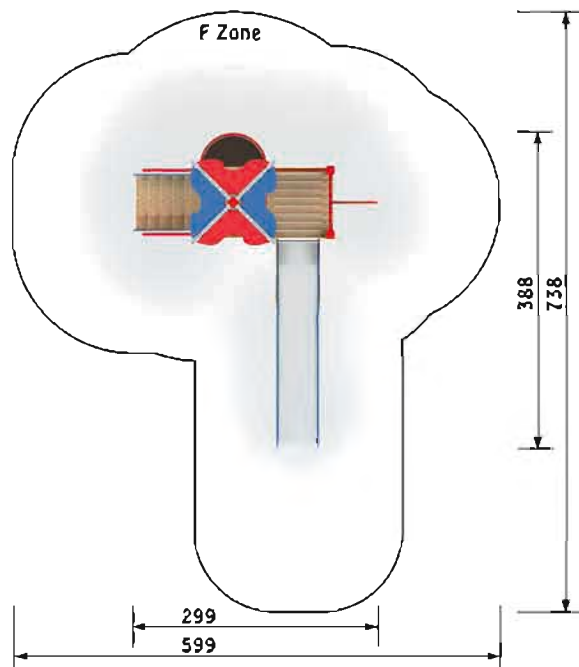
Device easily accessible, no age limit

30001

Patrick set

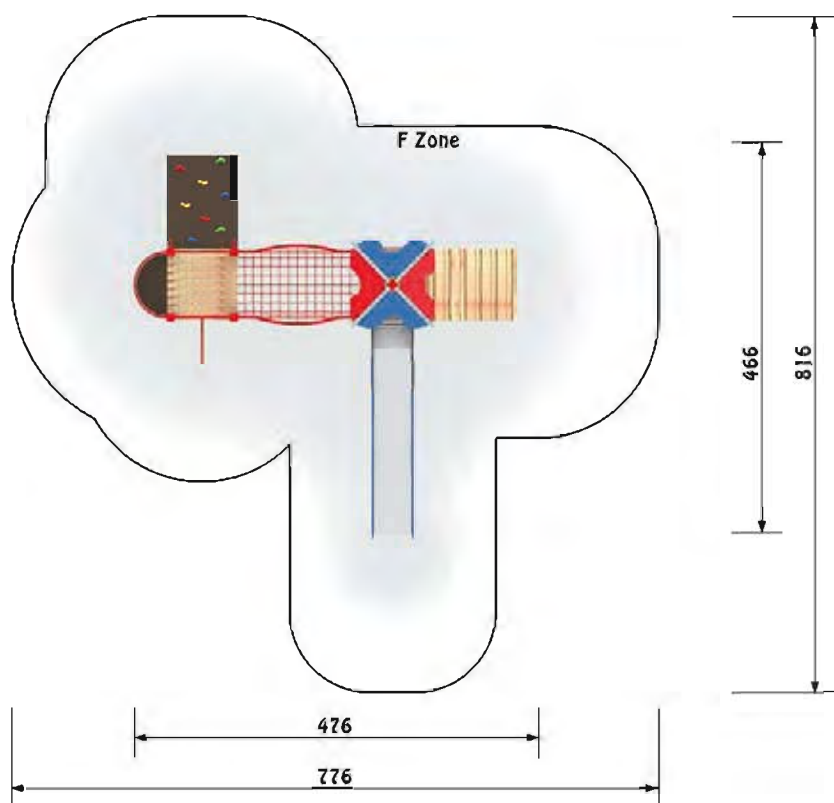
Free zone	28,37 m ²
Minimum space	738 cm / 599 cm
Maximum set dimension	388 / 299 / 405 cm
Weight	785 kg
Surfacing: sand, gravel, bark, synthetic	
Free height of fall	150 cm
The set consists of:	
- tower with roof, platform height 90 cm	1 pc
- tower without roof, platform height 150 cm	1 pc
- entrance stairs height 90 cm	1 pc
- slide height 150 cm	1 pc
- fireman pipe height 150 cm	1 pc
- balcony	1 pc
- little shop	1 pc

(*) It is possible to chose alternative elements, available in our offer



Ikar set



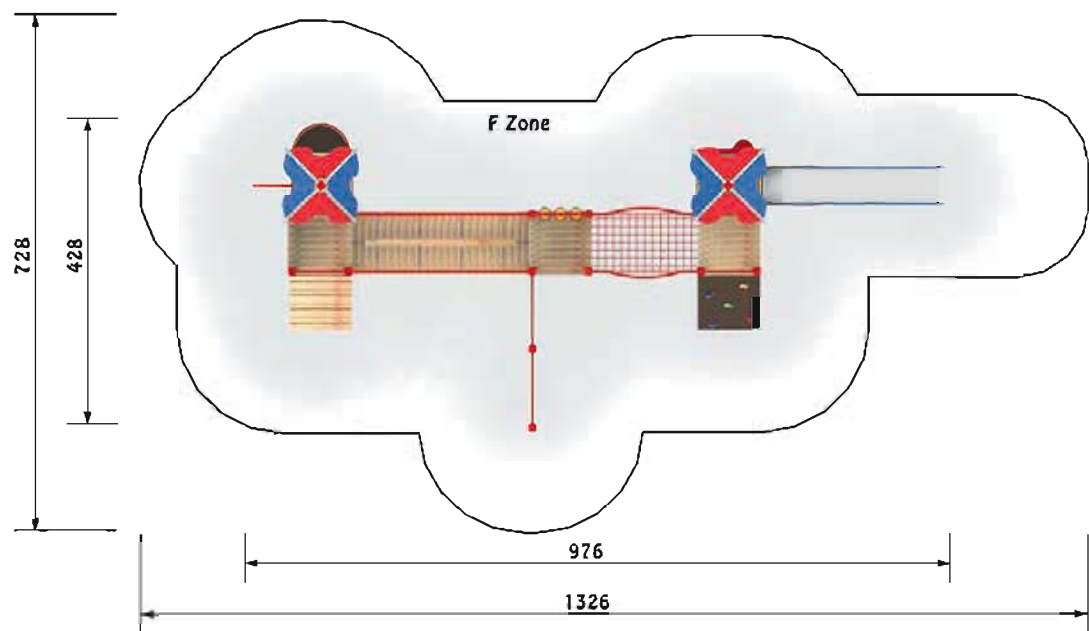
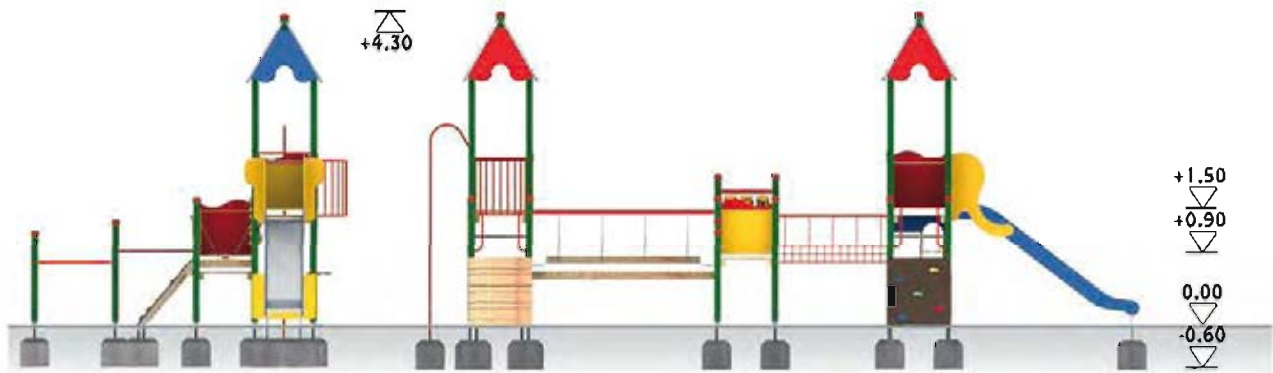


Free zone	39,79 m ²
Minimum space	816 cm / 776 cm
Maximum set dimension	466 cm / 476 cm / 370 cm (height)
Weight	785 kg
Surfacing: sand, gravel, bark, synthetic	
Free height of fall	136 cm
The set consists of:	
- tower with roof, platform height 136 cm	1 pc
- tower without roof, platform height 136 cm	1 pc
- slanting climbing wall height 136 cm	1 pc
- rope bridge	1 pc
- entrance gangway height 136 cm	1 pc
- big shop	1 pc
- balcony	1 pc
- slide height 136 cm	1 pc
- fireman pipe height 136 cm	1 pc

(*1) It is possible to chose alternative elements, available in our offer

Balbinka 02 set



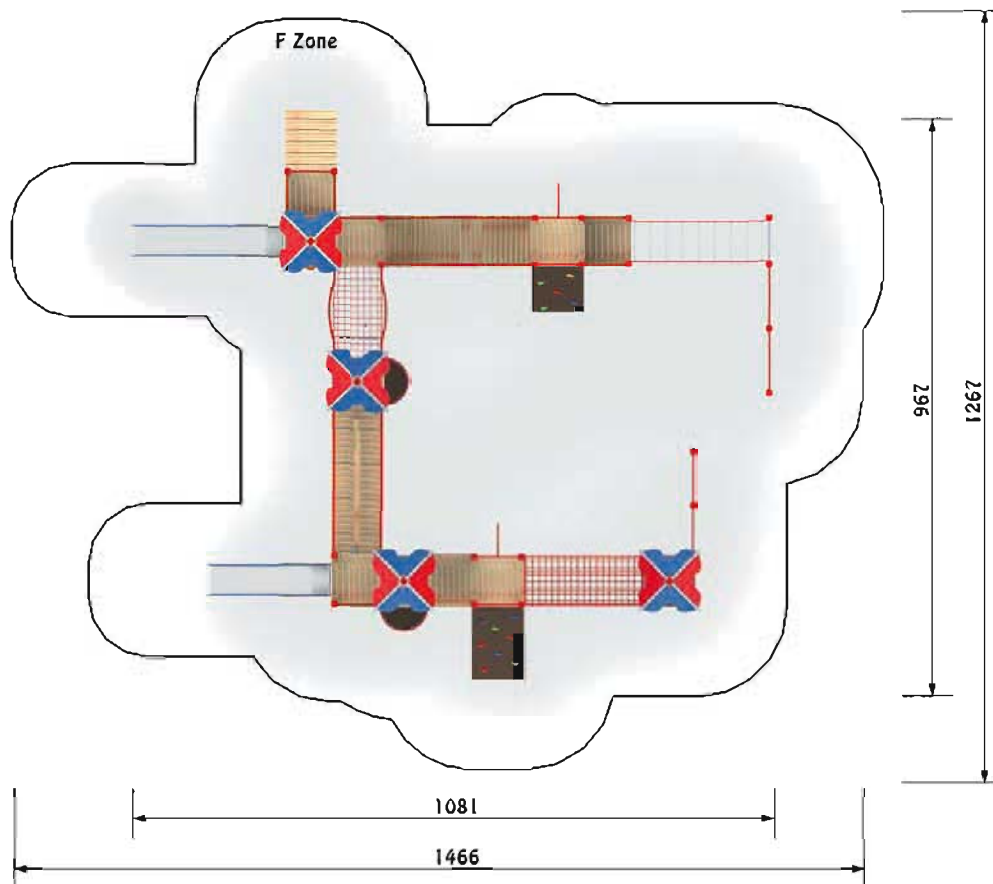


Free zone	61,75 m ²
Minimum space	1326 cm / 728 cm
Maximum set dimension	976 cm / 428 cm / 430 cm (height)
Weight	1185 kg
Surfacing: sand, gravel, bark, synthetic	
Free height of fall	150 cm
The set consists of:	
- tower with roof, platform height 150 cm	2 pcs
- tower without roof, platform height 90 cm	3 pcs
- deck	1 pc
- rope bridge	1 pc
- entrance gangway height 90 cm	1 pc
- climbing wall height 90cm	1 pc
- big duo somersault height 105 cm i 120 cm	1 pc
- big shop	1 pc
- balcony	1 pc
- slide height 150 cm	1 pc
- noughts and crosses	1 pc
- fireman pipe height	1 pc

(*) It is possible to chose alternative elements, available in our offer

Balbina set



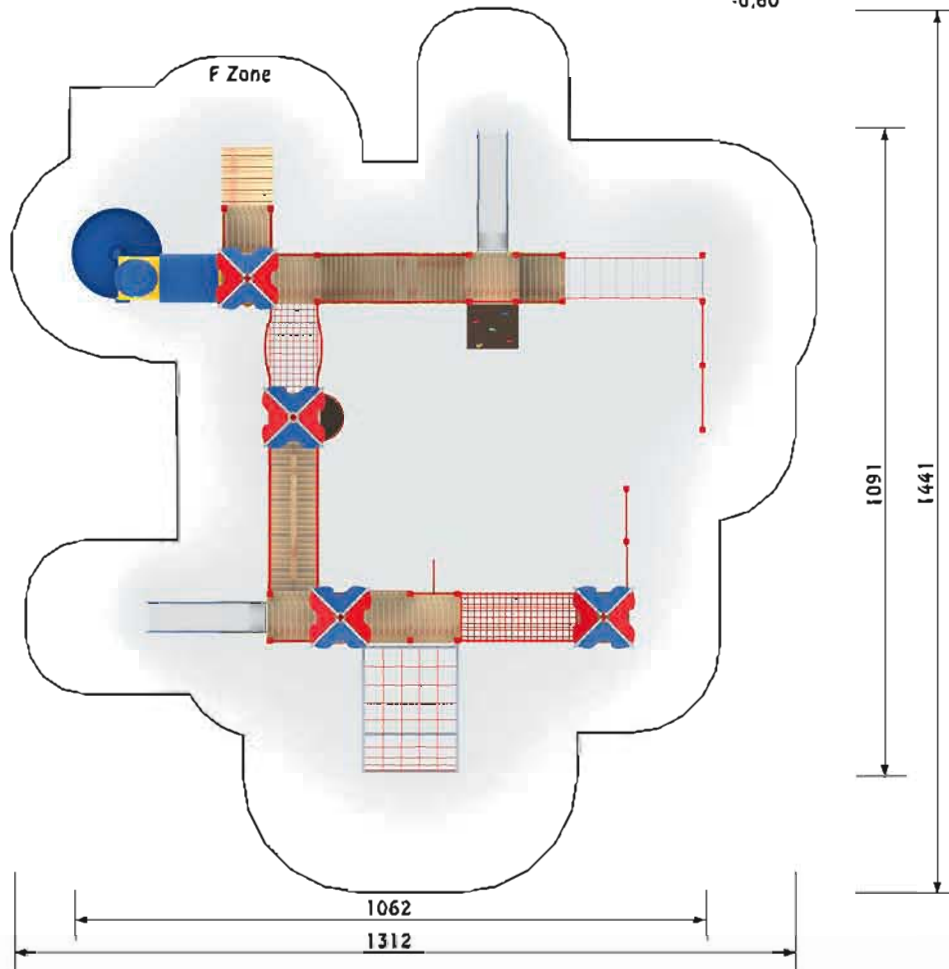


Free zone	124,00 m ²		
Minimum space	1466 cm / 1267 cm		
Maximum set dimension	1081 cm / 967 cm / 430 cm (height)		
Weight	2500 kg		
Surfacing: sand, gravel, bark, synthetic			
Free height of fall	200 cm		
The set consists of:			
- tower with roof, platform height 150 cm	1 pc	- slide height 150 cm	1 pc
- tower without roof, platform height 150 cm	2 pcs	- slide height 90 cm	1 pc
- tower with roof, platform height 120 cm	1 pc	- entrance gangway height 120 cm	1 pc
- tower without roof, platform height 120 cm	1 pc	- slanting climbing wall height 150 cm	1 pc
- tower with roof, platform height 90 cm	1 pc	- slanting climbing wall height 90 cm	1 pc
- tower without roof, platform height 90 cm	3 pcs	- big duo somersault height 105 cm i 120 cm	1 pc
- tower with roof, platform height 60 cm	1 pc	- small duo somersault height 75 cm i 90 cm	1 pc
- tower without roof, platform height 60 cm	1 pc	- fireman pipe height 150 cm	1 pc
- big vertical ladder	1 pc	- fireman pipe height 90 cm	1 pc
- arch bridge	1 pc	- balcony	2 pcs
- rope bridge	1 pc	- noughts and crosses	1 pc
- deck	1 pc		
- slanting rope passage	1 pc		

(*): It is possible to chose alternative elements, available in our offer

Julia set



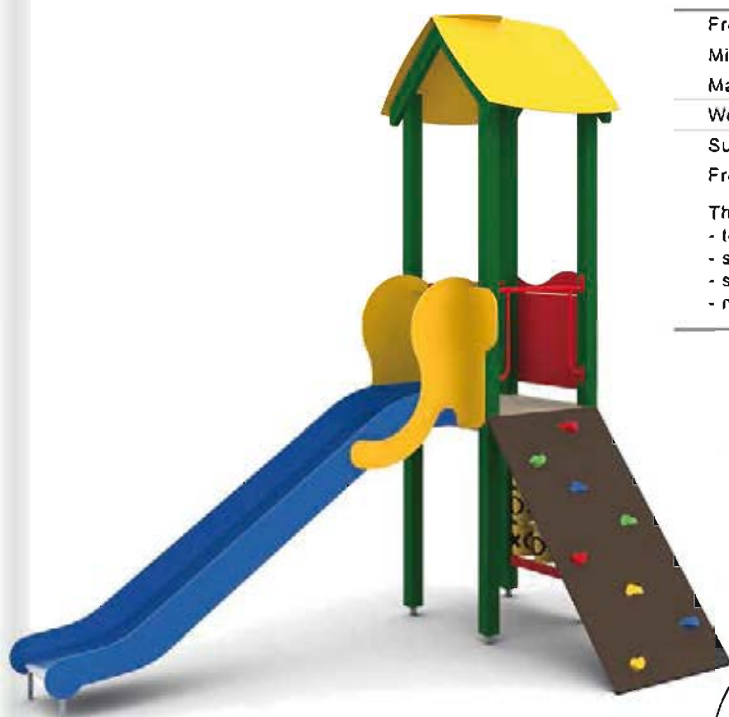


Free zone	137,87 m ²		
Minimum space	1441 cm / 1312 cm		
Maximum set dimension	1091 cm / 1062 cm / 430 cm (height)		
Weight	2500 kg		
Surfacing: sand, gravel, bark, synthetic			
Free height of fall	220 cm		
The set consists of:			
- tower with roof, platform height 185 cm	1 pc	- spiral slide height 185 cm	1 pc
- tower without roof, platform height 150 cm	2 pcs	- slide wys. 90 cm	2 pcs
- tower with roof, platform height 120 cm	1 pc	- entrance gangway 120 cm	1 pc
- tower without roof, platform height 120 cm	1 pc	- slanting rope passage height 90 cm	1 pc
- tower with roof, platform height 90 cm	1 pc	- big duo somersault height 105 cm / 120 cm	1 pc
- tower without roof, platform height 90 cm	3 pcs	- small duo somersault height 75 cm / 90 cm	1 pc
- tower with roof, platform height 60 cm	1 pc	- fireman pipe height 150 cm	1 pc
- tower without roof, platform height 60 cm	1 pc	- climbing arch	1 pc
- big vertical ladder	1 pc	- balcony	1 pc
- arch bridge	1 pc	- noughts and crosses	1 pc
- rope bridge	1 pc		
- deck made of moving blocks	1 pc		
- slanting rope passage	1 pc		

(*) It is possible to chose alternative elements, available in our offer

Emily O2 set

30006



Free zone	26,77 m ²
Minimum space	715 cm / 519 cm
Maximum set dimension	365 / 219 / 360 cm
Weight	500 kg

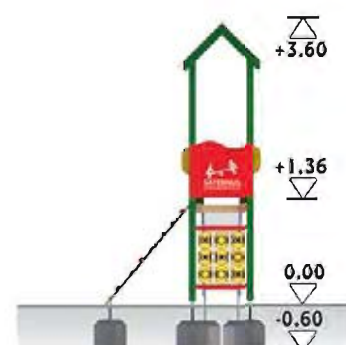
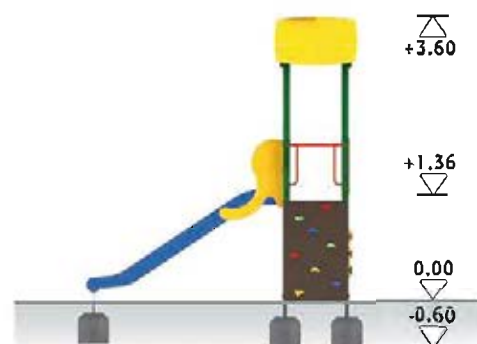
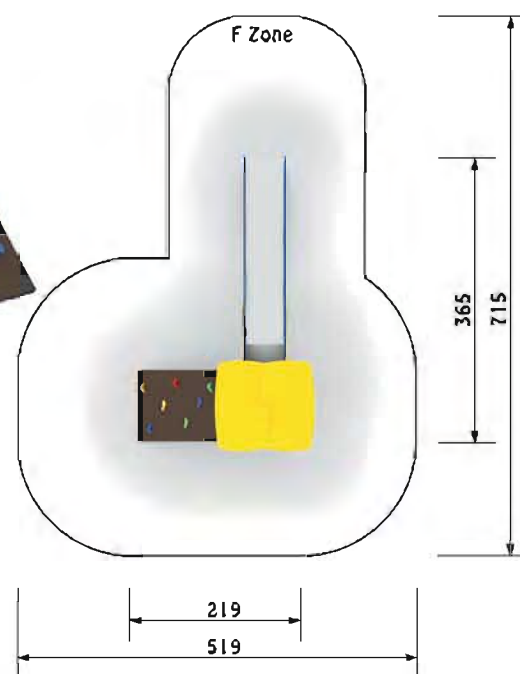
Surfacing: sand, gravel, bark, synthetic

Free height of fall 136 cm

The set consists of:

- tower with roof, platform height 136 cm 1 pc
- slanting climbing wall height 136 cm 1 pc
- slide height 136 cm 1 pc
- noughts and crosses 1 pc

(*): It is possible to chose alternative elements, available in our offer



Device non easily accessible, no age limit

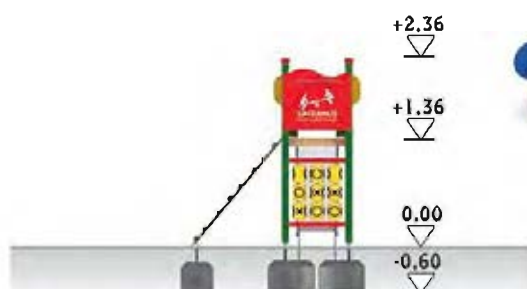
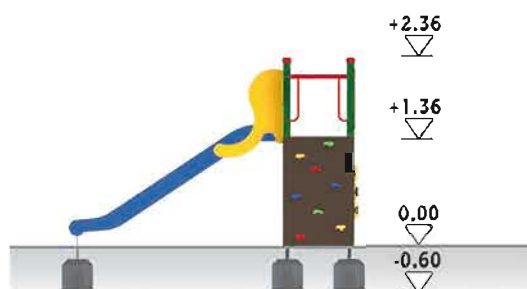
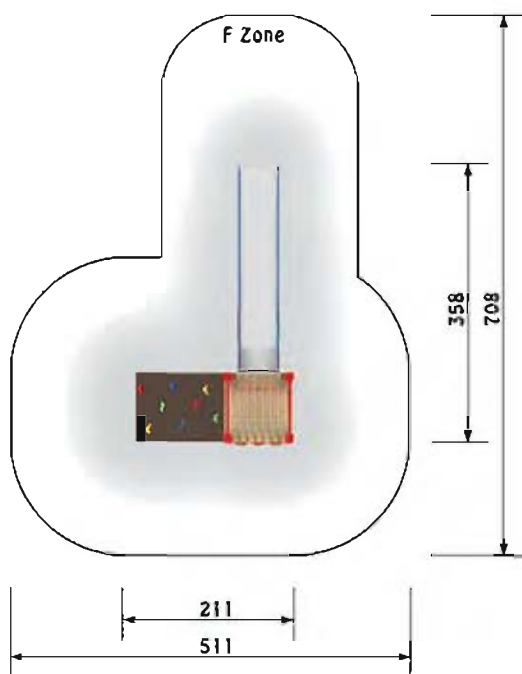
30007

Emil O2 set

Free zone	25,78 m ²
Minimum space	708 cm / 511 cm
Maximum set dimension	358 / 211 / 236 cm
Weight	430 kg
Surfacing: sand, gravel, bark, synthetic	
Free height of fall	136 cm

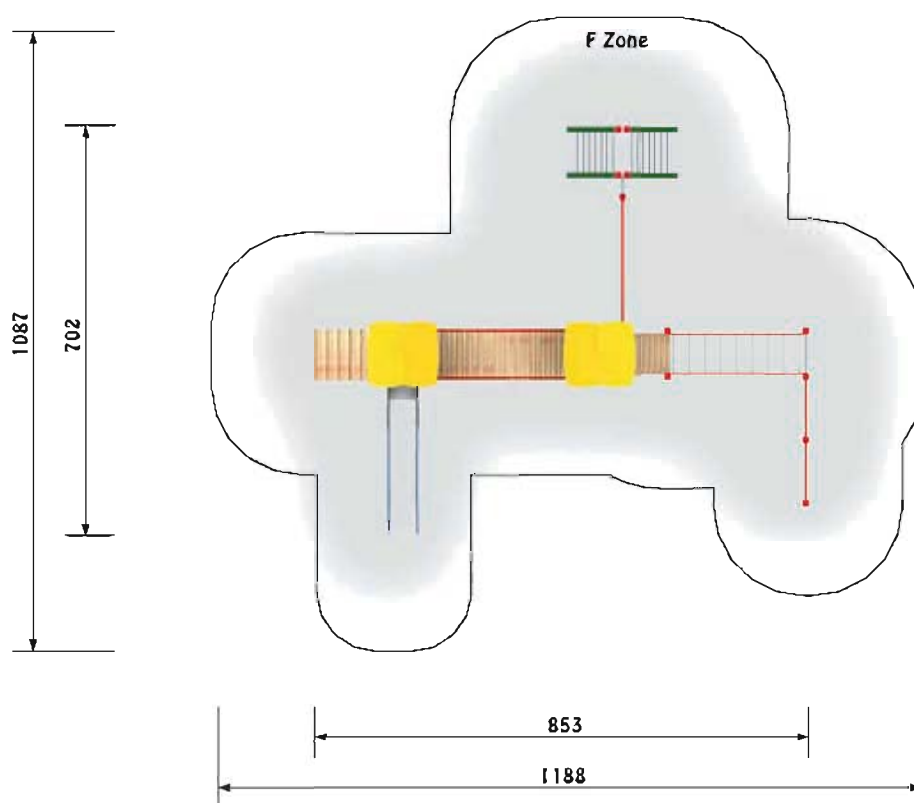
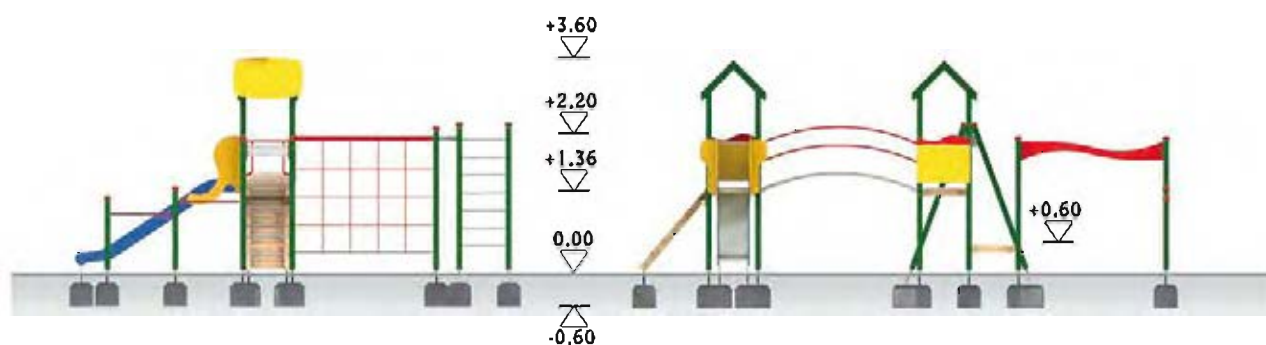
- The set consists of:
- tower without roof, platform height 136cm 1 pc
 - slanting climbing wall height 136 cm 1 pc
 - slide height 136 cm 1 pc
 - noughts and crosses 1 pc

[*] It is possible to choose alternative elements, available in our offer



Annie set



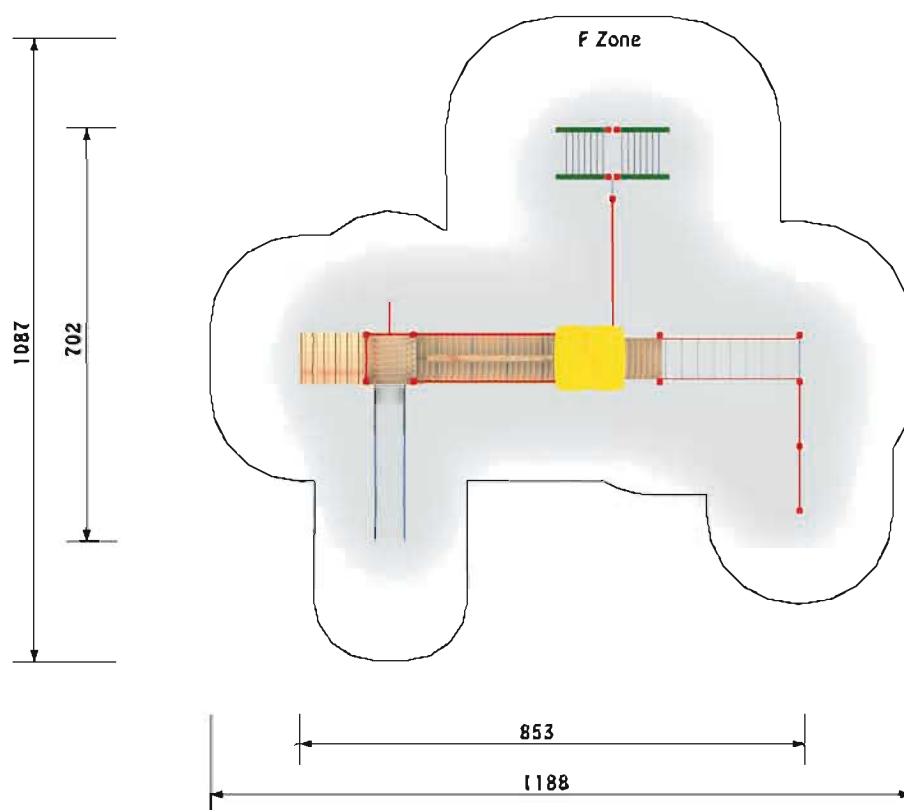
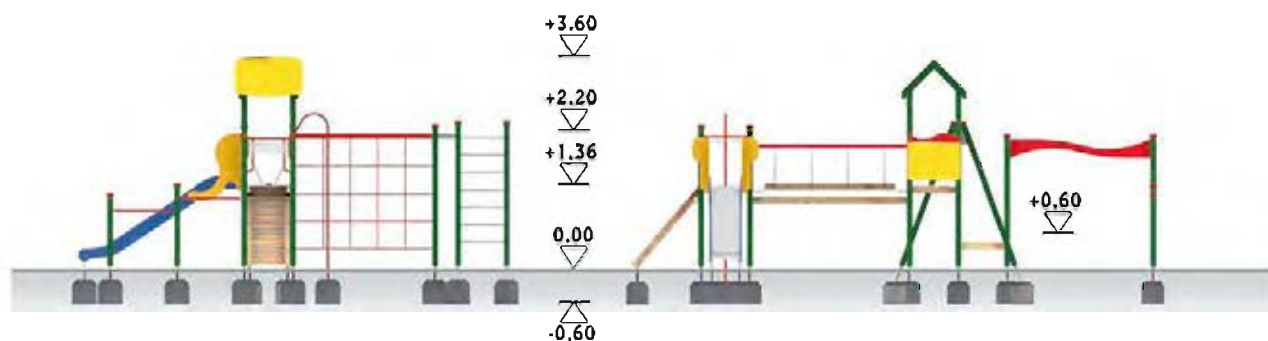


Free zone	80,00 m ²
Minimum space	1188 cm / 1087 cm
Maximum set dimension	853 cm / 702 cm / 360 cm (height)
Weight	1060 kg
Surfacing: sand, gravel, bark, synthetic	
Free height of fall	220 cm
The set consists of:	
- tower with roof, platform height 136 cm	2 pcs
- tower without roof, platform height 60 cm	1 pc
- arch bridge	1 pc
- entrance gangway height 136 cm	1 pc
- slide height 136 cm	1 pc
- slanting ladder	1 pc
- ropenet	1 pc
- big vertical ladder	1 pc
- big duo somersault height 105 cm i 120 cm	1 pc

(*) It is possible to chose alternative elements, available in our offer

Hanna set



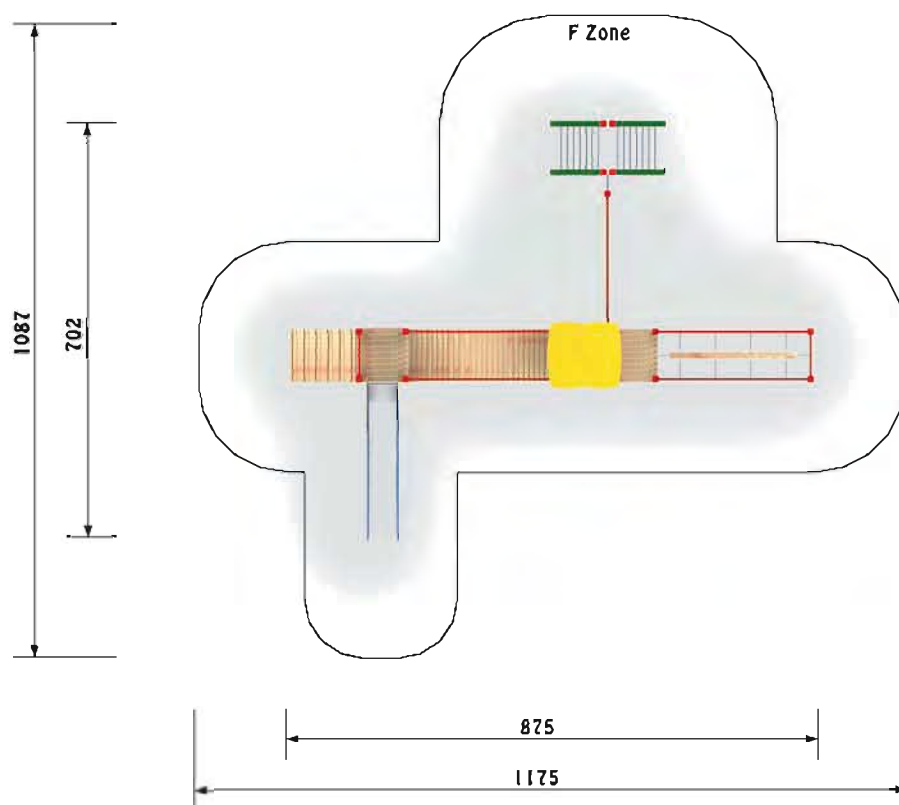
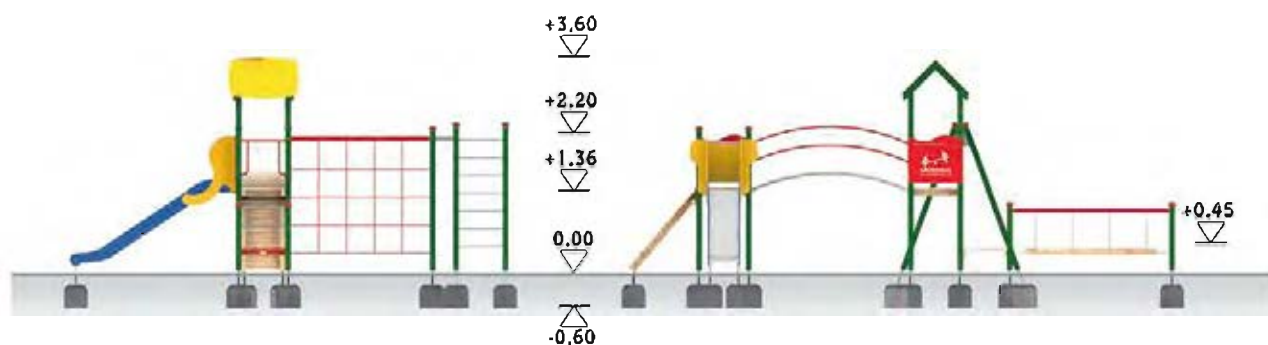


Free zone	80,62 m ²
Minimum space	1188 cm / 1087 cm
Maximum set dimension	853 cm / 702 cm / 360 cm (height)
Weight	1110 kg
Surfacing: sand, gravel, bark, synthetic	
Free height of fall	220 cm
The set consists of:	
- tower with roof, platform height 136 cm	1 pc
- tower without roof, platform height 136 cm	1 pc
- tower without roof, platform height 60 cm	1 pc
- deck made of moving blocks	1 pc
- entrance gangway 136 cm	1 pc
- slide height 136 cm	1 pc
- fireman pipe height 136 cm	1 pc
- slanting ladder	1 pc
- ropenet	1 pc
- big horizontal ladder	1 pc
- big duo somersault height 105 cm i 120 cm	1 pc

(*) It is possible to chose alternative elements, available in our offer

Manny set



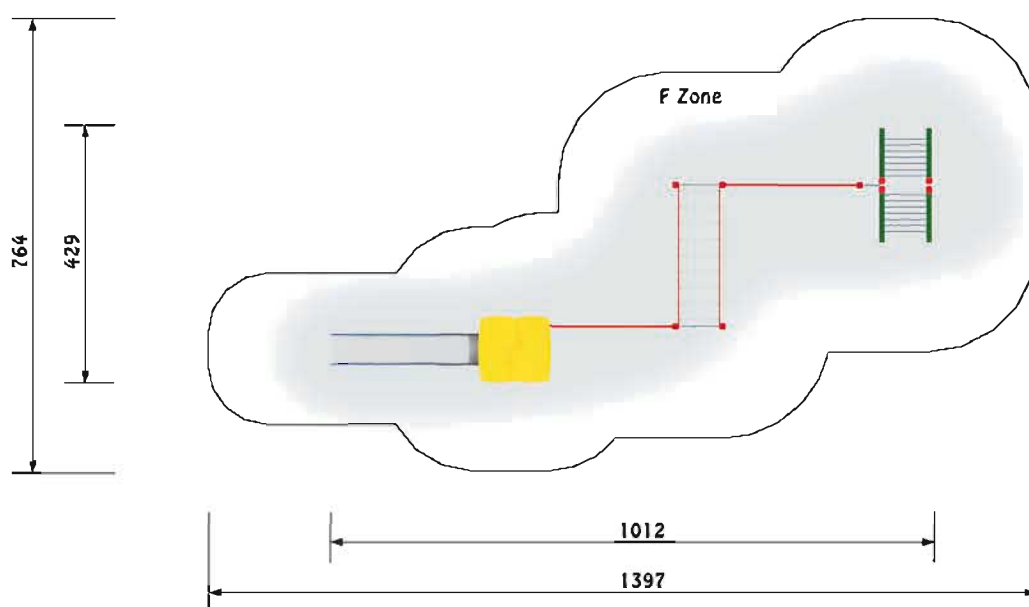
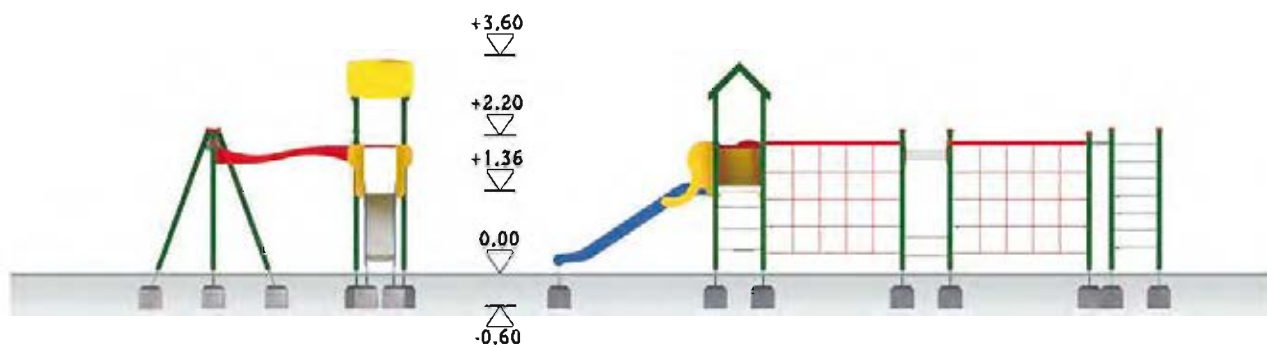


Free zone	71,51 m ²
Minimum space	1175 cm / 1087 cm
Maximum set dimension	875 cm / 702 cm / 360 cm (height)
Weight	1065 kg
Surfacing: sand, gravel, bark, synthetic	
Free height of fall	220 cm
The set consists of:	
- tower with roof, platform height 136 cm	1 pc
- tower without roof, platform height 136 cm	1 pc
- tower without roof, platform height 60 cm	1 pc
- arch bridge	1 pc
- entrance gangway height 136 cm	1 pc
- slide height 136 cm	1 pc
- slanting ladder	1 pc
- ropenet	1 pc
- deck made of moving blocks	1 pc

(*) It is possible to chose alternative elements, available in our offer

Halina set



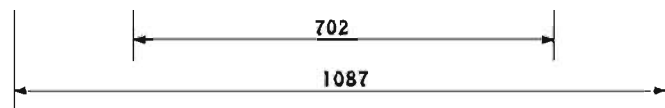
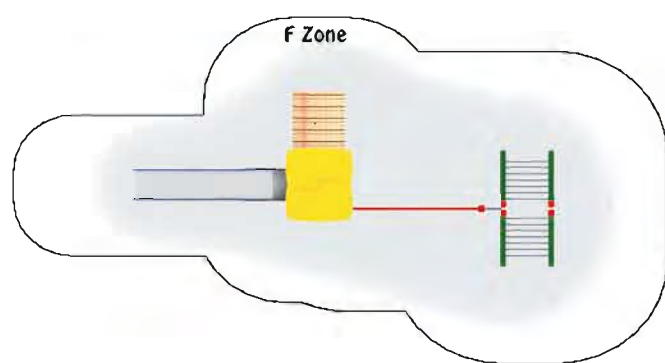
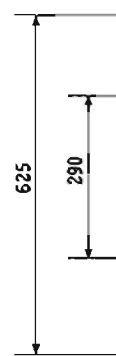
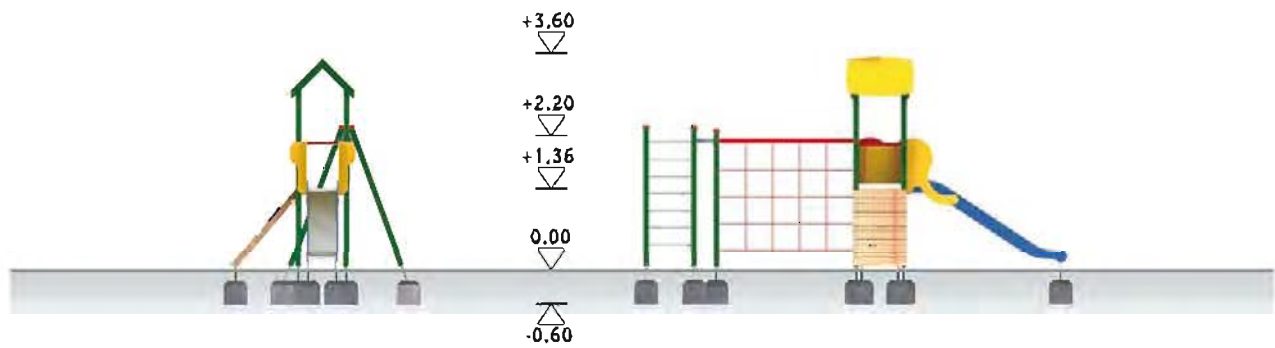


Free zone	64,24 m ²
Minimum space	1397 cm / 764 cm
Maximum set dimension	1012 cm / 429 cm / 360 cm (height)
Weight	945 kg
Surfacing: sand, gravel, bark, synthetic	
Free height of fall	220 cm
The set consists of:	
- tower with roof, platform height 136 cm	1 pc
- slide height 136 cm	1 pc
- slanting ladder	1 pc
- ropenet	2 pcs
- big horizontal ladder	1 pc

(*) It is possible to chose alternative elements, available in our offer

Alina set



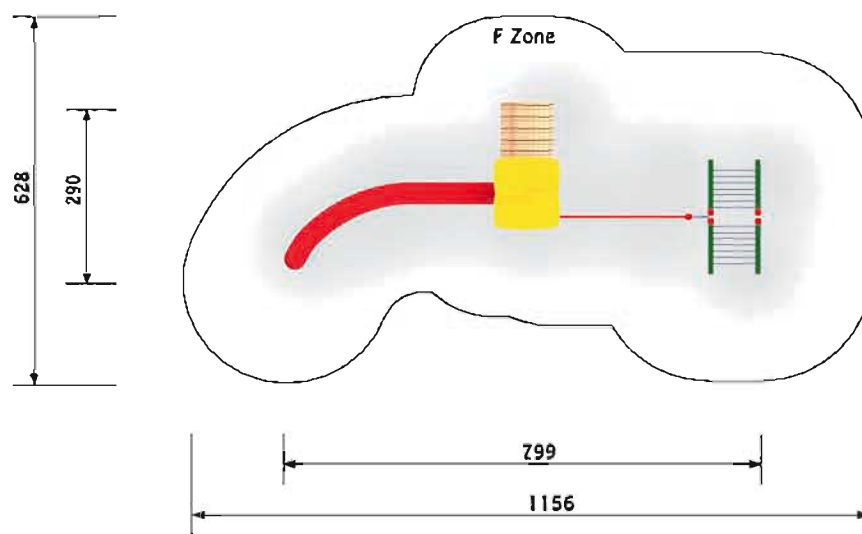
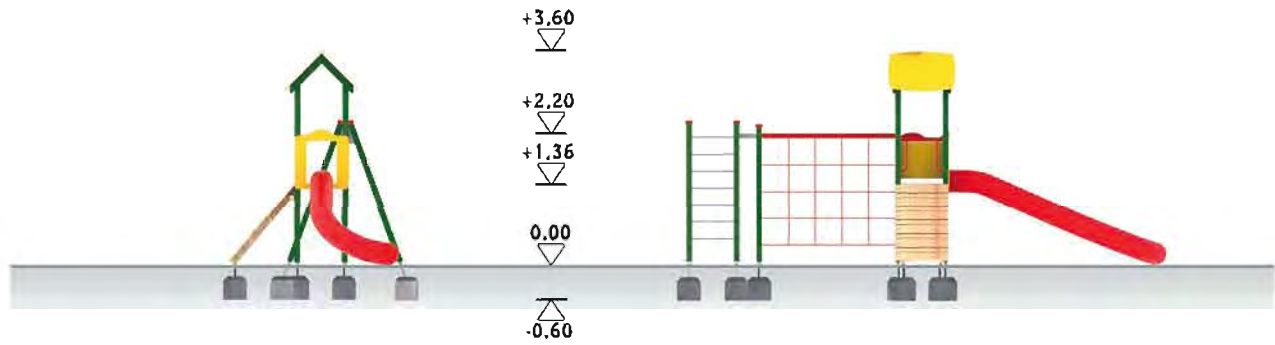


Free zone	46,82 m ²
Minimum space	1087 cm / 625 cm
Maximum set dimension	702 cm / 625 cm / 360 cm (height)
Weight	710 kg
Surfacing: sand, gravel, bark, synthetic	
Free height of fall	220 cm
The set consists of:	
- tower with roof, platform height 136 cm	1 pc
- slide height 136 cm	1 pc
- slanting ladder	1 pc
- ropenet	1 pc
- entrance gangway height 136 cm	1 pc

(*1) It is possible to chose alternative elements, available in our offer

Alina set with a banana slide



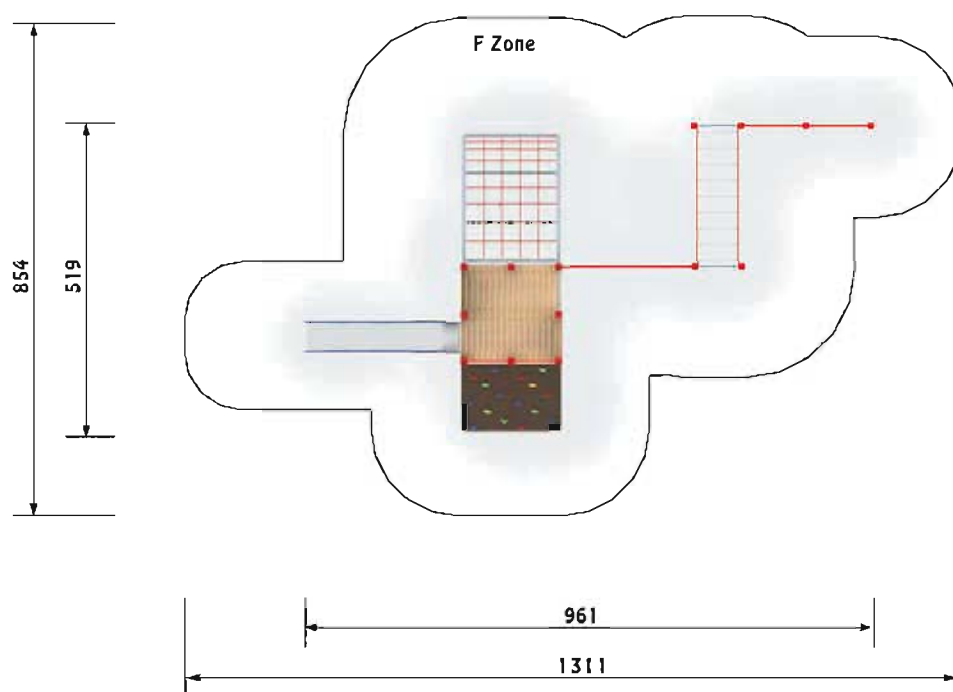
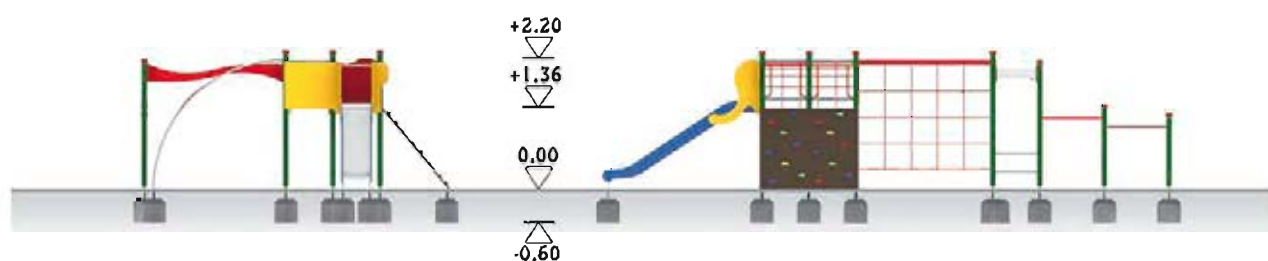


Free zone	53,53 m ²
Minimum space	1156 cm / 628 cm
Maximum set dimension	799 cm / 290 cm / 360 cm (height)
Weight	710 kg
Surfacing: sand, gravel, bark, synthetic	
Free height of fall	220 cm
The set consists of:	
- tower with roof, platform height 136 cm	1 pc
- banana slide height 136 cm	1 pc
- slanting ladder	1 pc
- ropenet	1 pc
- entrance gangway 136 cm	1 pc

(*) It is possible to chose alternative elements, available in our offer

Caroline set



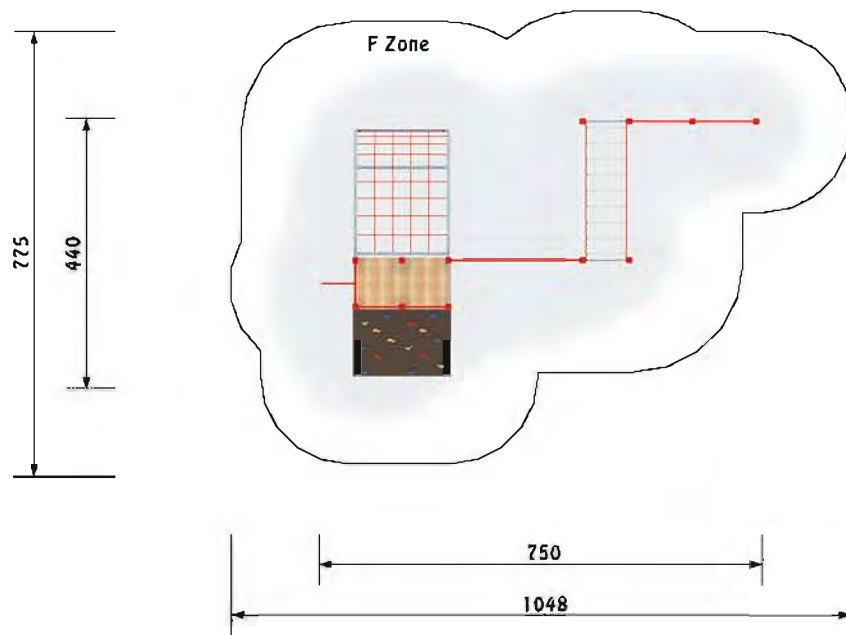
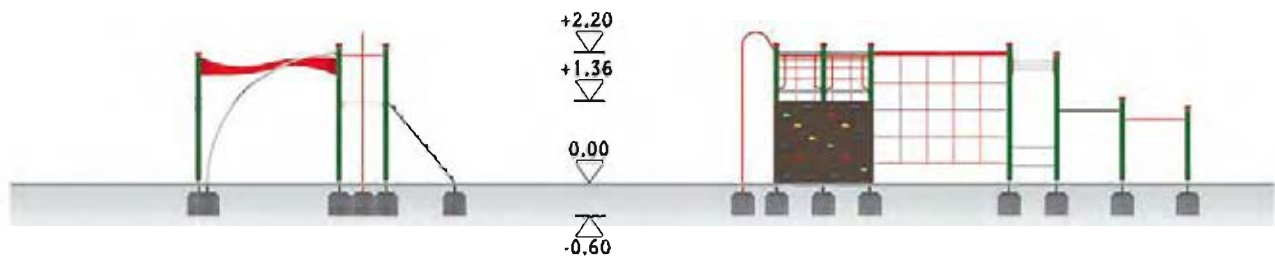


Free zone	72.29 m ²
Minimum space	1311 cm / 854 cm
Maximum set dimension	961 cm / 519 cm / 235 cm (height)
Weight	860 kg
Surfacing: sand, gravel, bark, synthetic	
Free height of fall	220 cm
The set consists of:	
- tower without roof, platform height 136 cm	1 pc
- slanting climbing wall height 136 cm	1 pc
- slide height 136 cm	1 pc
- climbing arch	1 pc
- ropenet	1 pc
- big horizontal ladder	1 pc
- big duo somersault height 105 cm and 120 cm	1 pc

(*) It is possible to choose alternative elements, available in our offer

Caroline Mini set



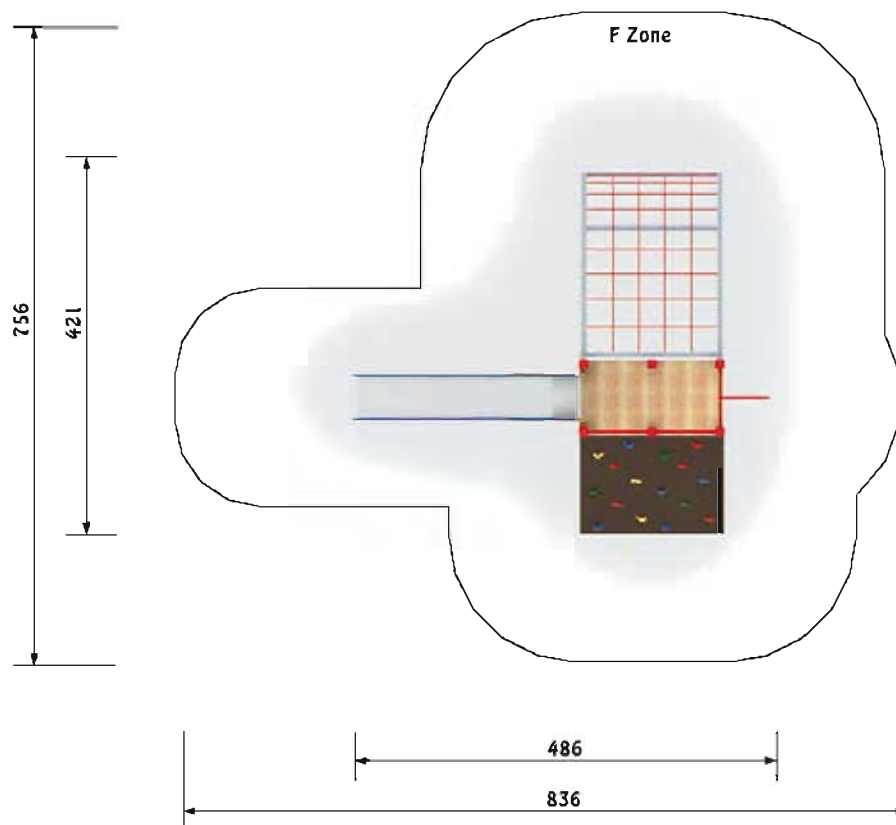
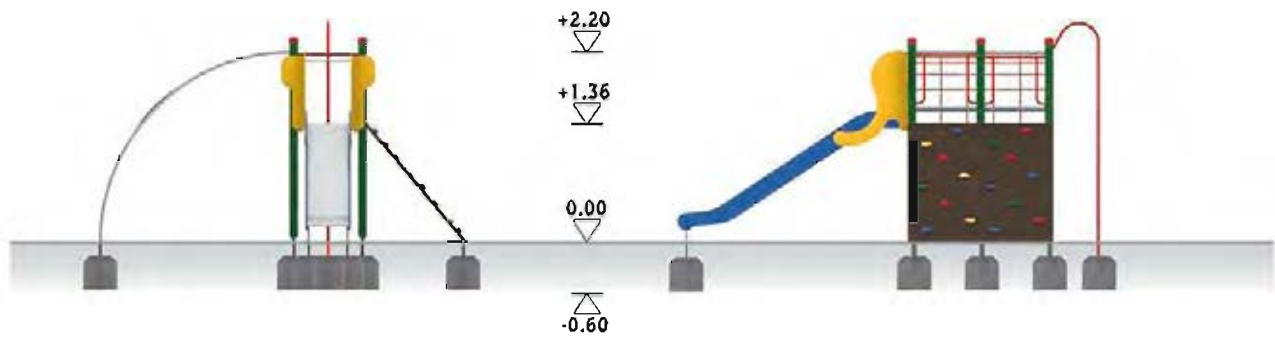


Free zone	60.50 m ²
Minimum space	1048 cm / 775 cm
Maximum set dimension	750 cm / 440 cm / 235 cm (height)
Weight	685 kg
Surfacing: sand, gravel, bark, synthetic	
Free height of fall	220 cm
The set consists of:	
- tower with roof, platform height 136 cm	2 pcs
- slanting climbing wall height 136 cm	1 pc
- fireman pipe height 136 cm	1 pc
- climbing arch	1 pc
- ropenet	1 pc
- big horizontal ladder	1 pc
- big duo somersault height 105 cm and 120 cm	1 pc

(*) It is possible to choose alternative elements, available in our offer

Karolinka set



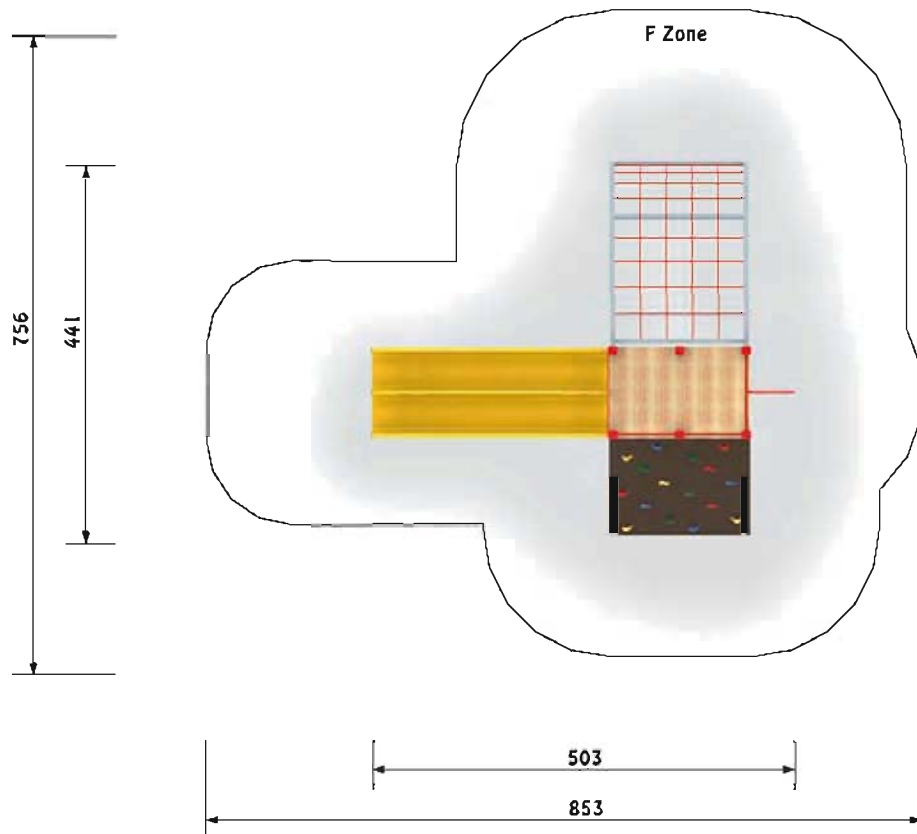
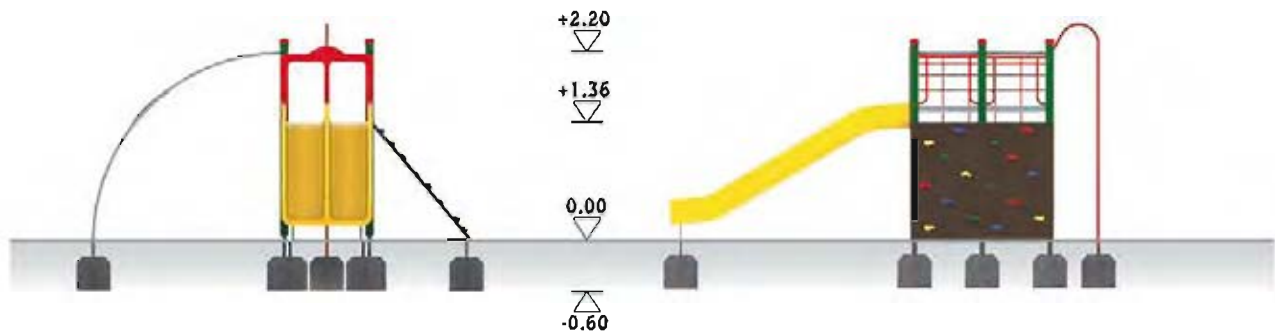


Free zone	41,08 m ²
Minimum space	836 cm / 756 cm
Maximum set dimension	486 cm / 421 cm / 235 cm (height)
Weight	580 kg
Surfacing: sand, gravel, bark, synthetic	
Free height of fall	220 cm
The set consists of:	
- tower without roof, platform height 136 cm	2 pcs
- slanting climbing wall height 136 cm	1 pc
- slide height 136 cm	1 pc
- climbing arch	1 pc
- fireman pipe	1 pc

(*) It is possible to chose alternative elements, available in our offer

Milena set



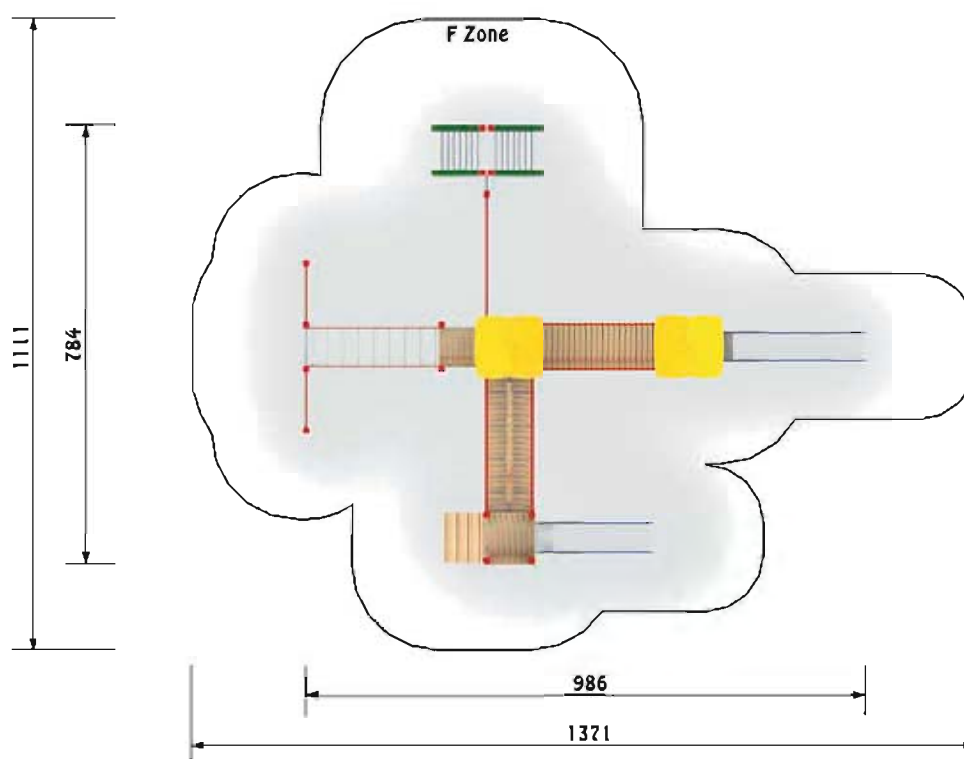
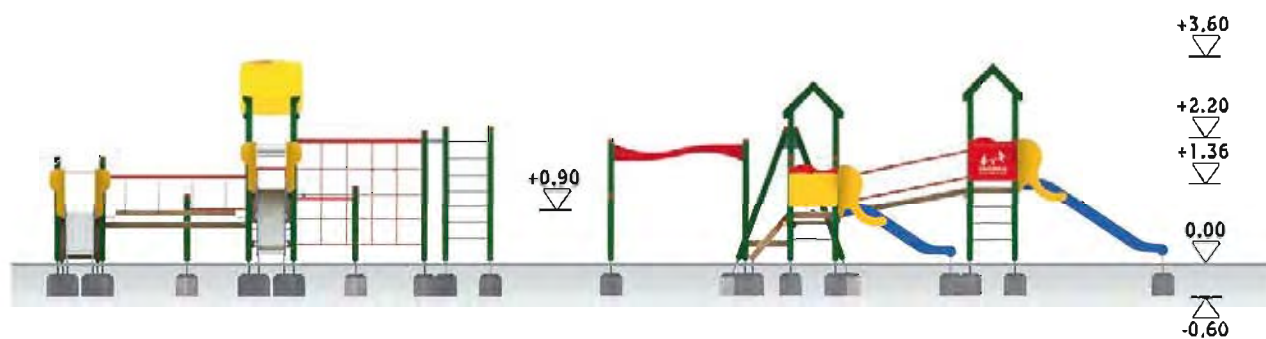


Free zone	45,68 m ²
Minimum space	853 cm / 756 cm
Maximum set dimension	503 cm / 441 cm / 235 cm (height)
Waga zestawu	580 kg
Surfacing: sand, gravel, bark, synthetic	
Free height of fall	220 cm
The set consists of:	
- tower without roof, platform height 136 cm	2 pcs
- slanting climbing wall height 136 cm	1 pc
- double slide height 136 cm	1 pc
- climbing arch	1 pc
- fireman pipe height 136 cm	1 pc

(*) It is possible to chose alternative elements, available in our offer

Ola set



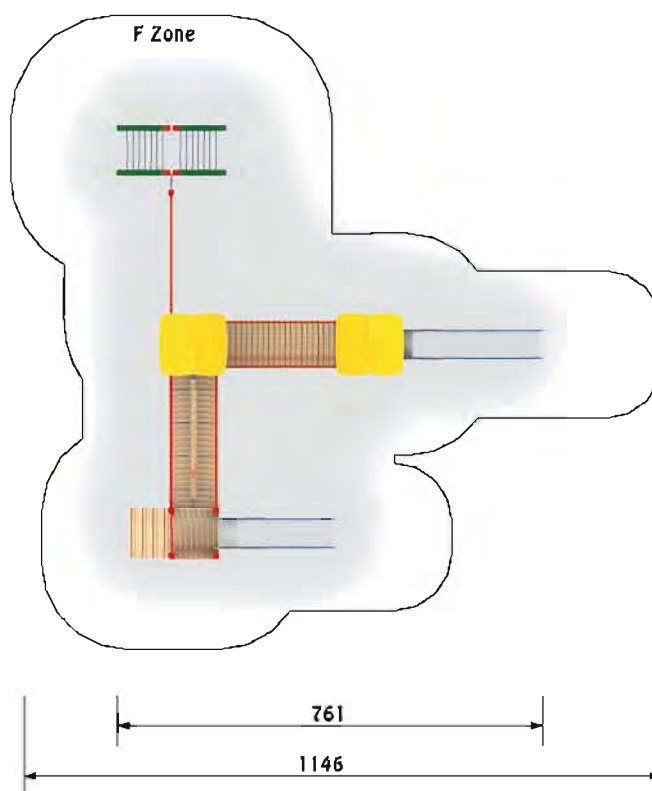
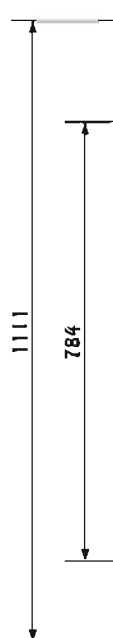
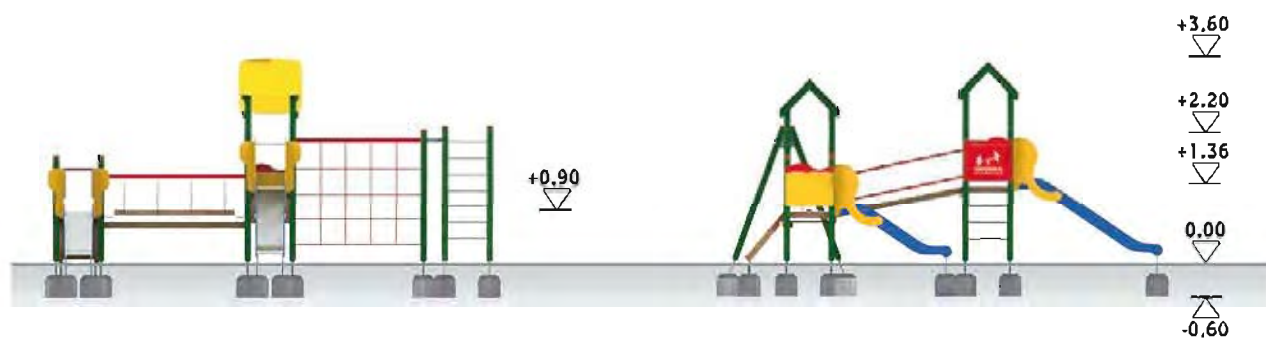


Free zone	92,89 m ²
Minimum space	1371 cm / 1111 cm
Maximum set dimension	986 cm / 784 cm / 360 cm (height)
Weight	1300 kg
Surfacing: sand, gravel, bark, synthetic	
Free height of fall	220 cm
The set consists of:	
- tower with roof, platform height 136 cm	1 pc
- tower with roof, platform height 90 cm	1 pc
- tower without roof, platform height 90 cm	1 pc
- tower without roof, platform height 30 cm	1 pc
- slide height 136 cm	1 pc
- slide height 90 cm	1 pc
- entrance gangway 90 cm	1 pc
- deck made of moving blocks	1 pc
- slanting bridge	1 pc
- ropenet	1 pc
- slanting ladder	1 pc
- big horizontal ladder	1 pc
- big duo somersault height 105 cm and 120 cm	1 pc

(*) It is possible to choose alternative elements, available in our offer

Oika set



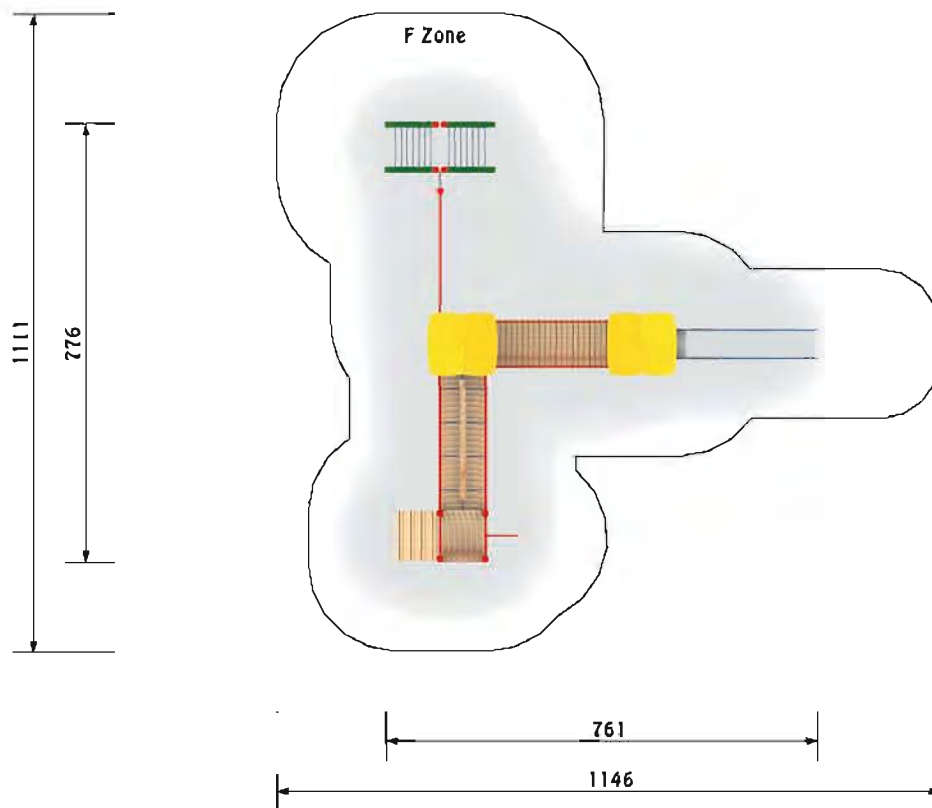
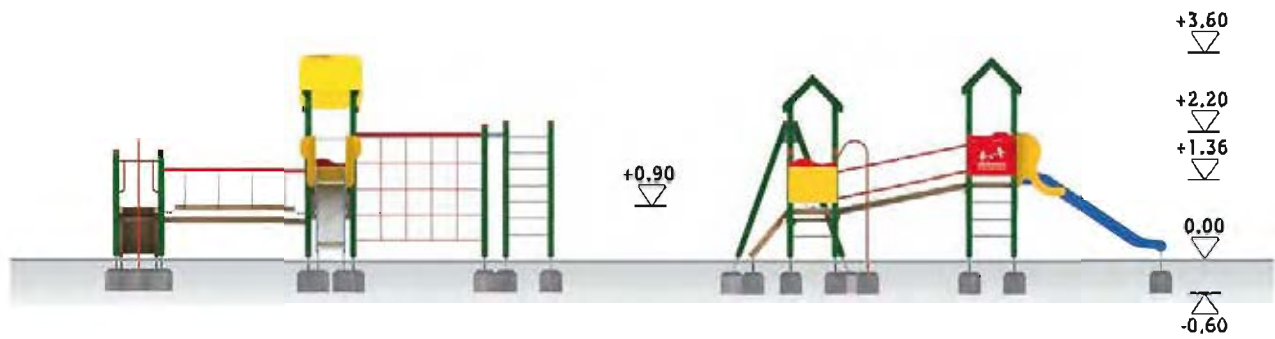


Free zone	76,17 m ²
Minimum space	1146 cm / 1111 cm
Maximum set dimension	761 cm / 784 cm / 360 cm (height)
Weight	1200 kg
Surfacing: sand, gravel, bark, synthetic	
Free height of fall	220 cm
The set consists of:	
- tower with roof, platform height 136 cm	1 pc
- tower with roof, platform height 90 cm	1 pc
- tower without roof, platform height 90 cm	1 pc
- slide height 136 cm	1 pc
- slide height 90 cm	1 pc
- entrance gangway 90 cm	1 pc
- deck made of moving blocks	1 pc
- slanting bridge	1 pc
- ropenet	1 pc
- slanting ladder	1 pc

(*) It is possible to chose alternative elements, available in our offer

Jola set



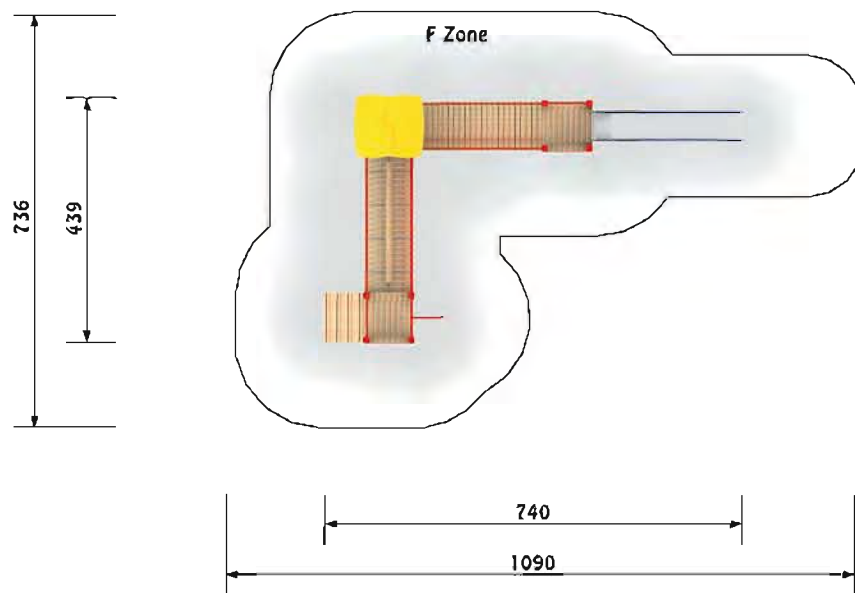
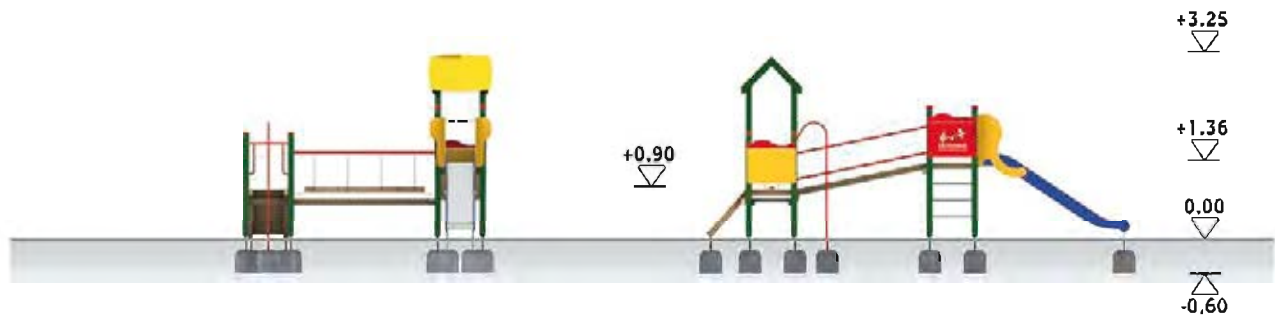


Free zone	70,60 m ²
Minimum space	1146 cm / 1111 cm
Maximum set dimension	761 cm / 776 cm / 350 cm (height)
Weight	1150 kg
Surfacing: sand, gravel, bark, synthetic	
Free height of fall	220 cm
The set consists of:	
- tower with roof, platform height 136 cm	1 pc
- tower with roof, platform height 90 cm	1 pc
- tower without roof, platform height 90 cm	1 pc
- slide height 136 cm	1 pc
- fireman pipe height 90 cm	1 pc
- entrance stairs height 90 cm	1 pc
- deck made of moving blocks	1 pc
- slanting bridge	1 pc
- ropenet	1 pc
- slanting ladder	1 pc

(*) It is possible to chose alternative elements, available in our offer

Tola set



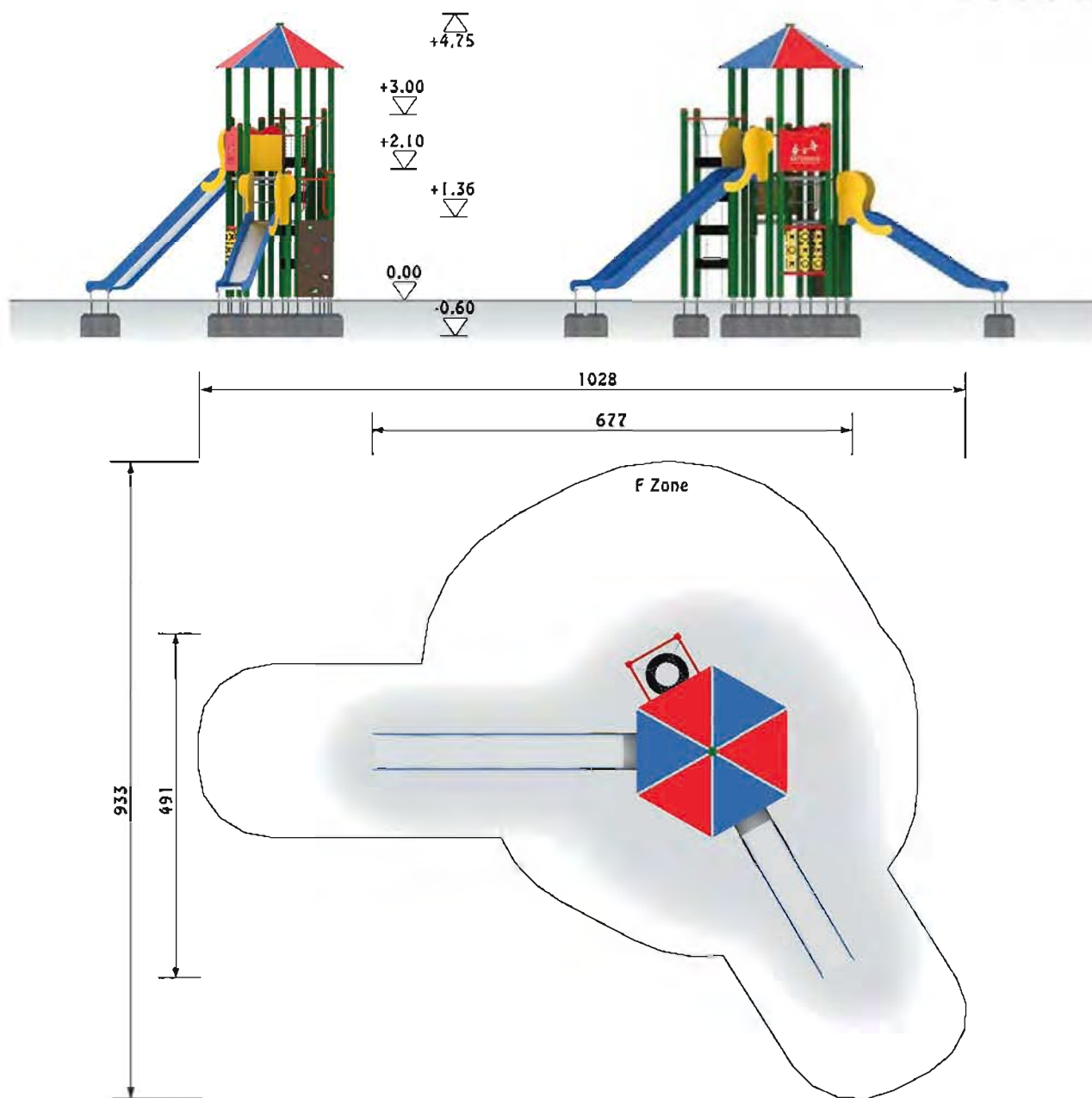


Free zone	50,00 m ²
Minimum space	1090 cm / 736 cm
Maximum set dimension	740 cm / 439 cm / 325 cm (height)
Weight	850 kg
Surfacing: sand, gravel, bark, synthetic	
Free height of fall	136 cm
The set consists of:	
- tower without roof, platform height 136 cm	1 pc
- tower with roof, platform height 90 cm	1 pc
- tower without roof, platform height 90 cm	1 pc
- slide height 136 cm	1 pc
- fireman pipe height 90 cm	1 pc
- entrance gangway 90 cm	1 pc
- deck made of moving blocks	1 pc
- slanting bridge	1 pc

(*) It is possible to chose alternative elements, available in our offer

Colorful Yard set



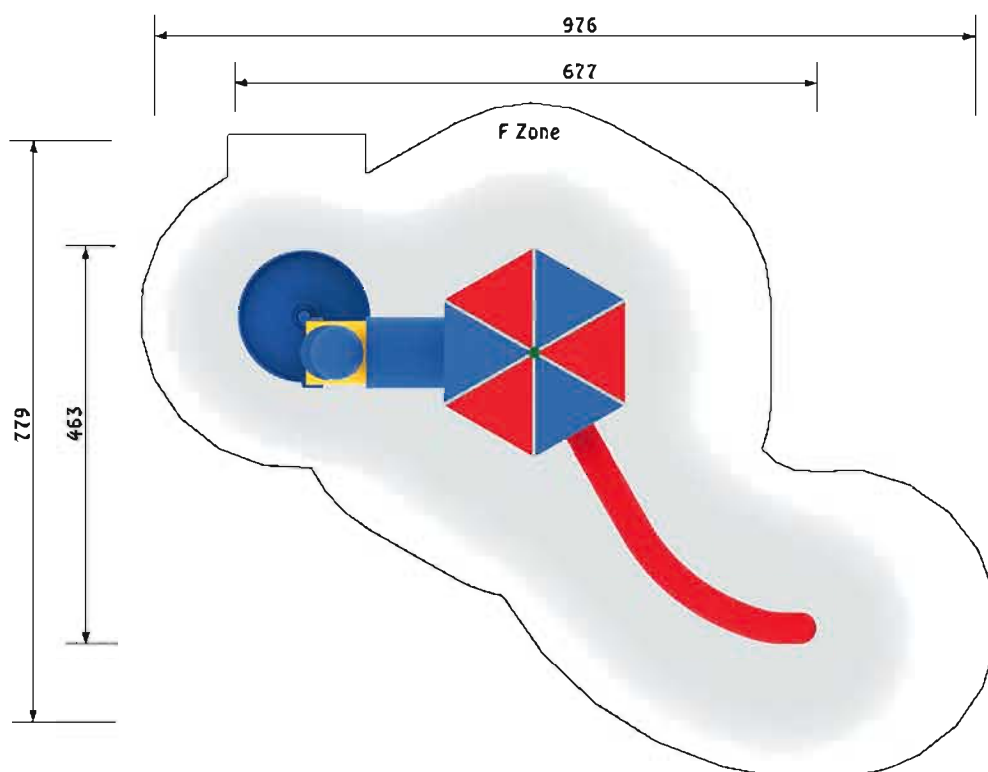
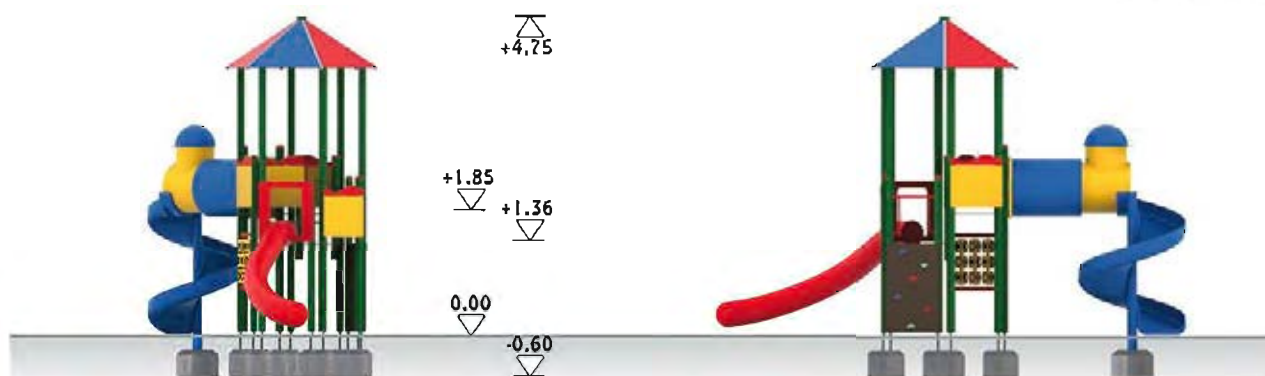


Free zone	50,91 m ²
Minimum space	1028 cm / 933 cm
Maximum set dimension	677 cm / 491 cm / 475 cm (height)
Weight	1050 kg
Surfacing: sand, gravel, bark, synthetic	
Free height of fall	300 cm
The set consists of:	
- hexagonal tower with roof, platforms height 136 cm and 210 cm	1 pc
- tyre tunnel	1 pc
- vertical climbing wall height 136 cm	1 pc
- slide height 136 cm	1 pc
- slide height 210 cm	1 pc.
- noughts and crosses	1 pc

(*) It is possible to chose alternative elements, available in our offer

Funny Yard set



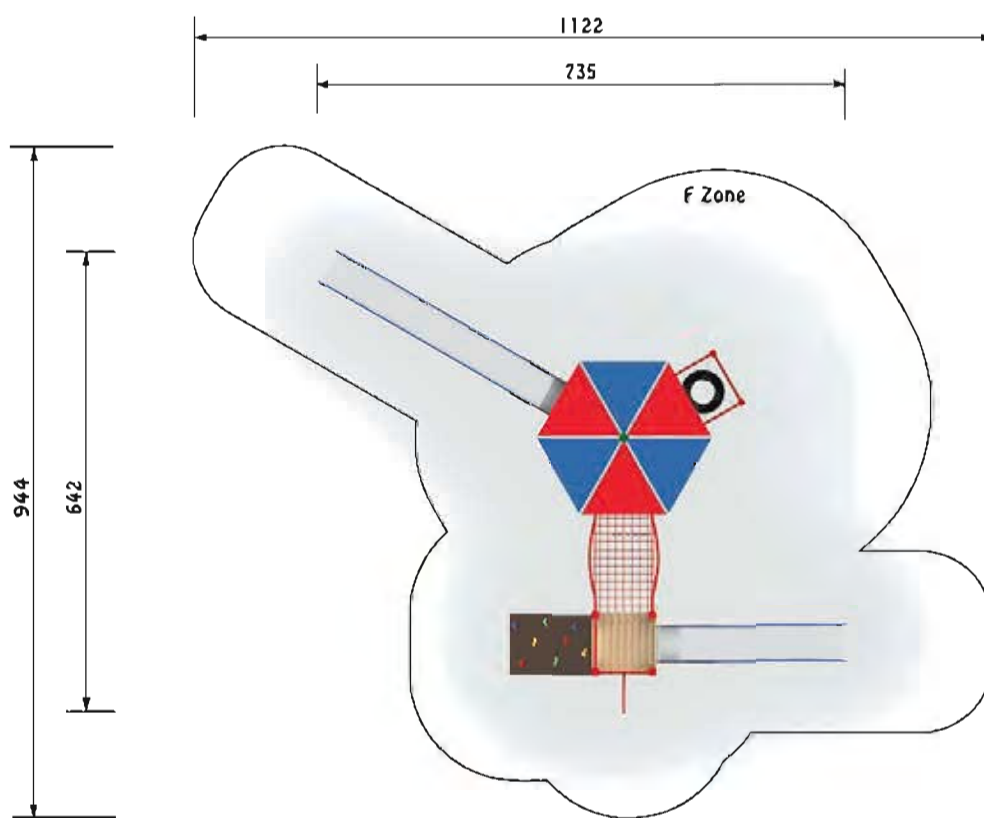
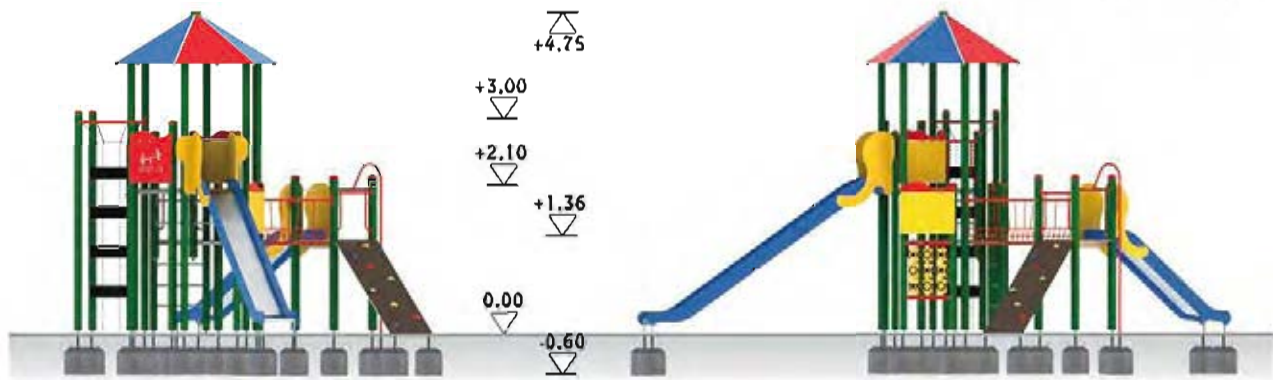


Free zone	43,90 m ²
Minimum space	976 cm / 779 cm
Maximum set dimension	677 cm / 463 cm / 475 cm (height)
Weight	1050 kg
Surfacing: sand, gravel, bark, synthetic	
Free height of fall	185 cm
The set consists of:	
- hexagonal tower with roof, platforms height 136 cm and 185 cm	1 pc
- vertical climbing wall height 136 cm	1 pc
- spiral slide with platform height 185 cm	1 pc
- banana slide height 136 cm	1 pc
- noughts and crosses	1 pc

(*) It is possible to chose alternative elements, available in our offer

Favourite Yard set



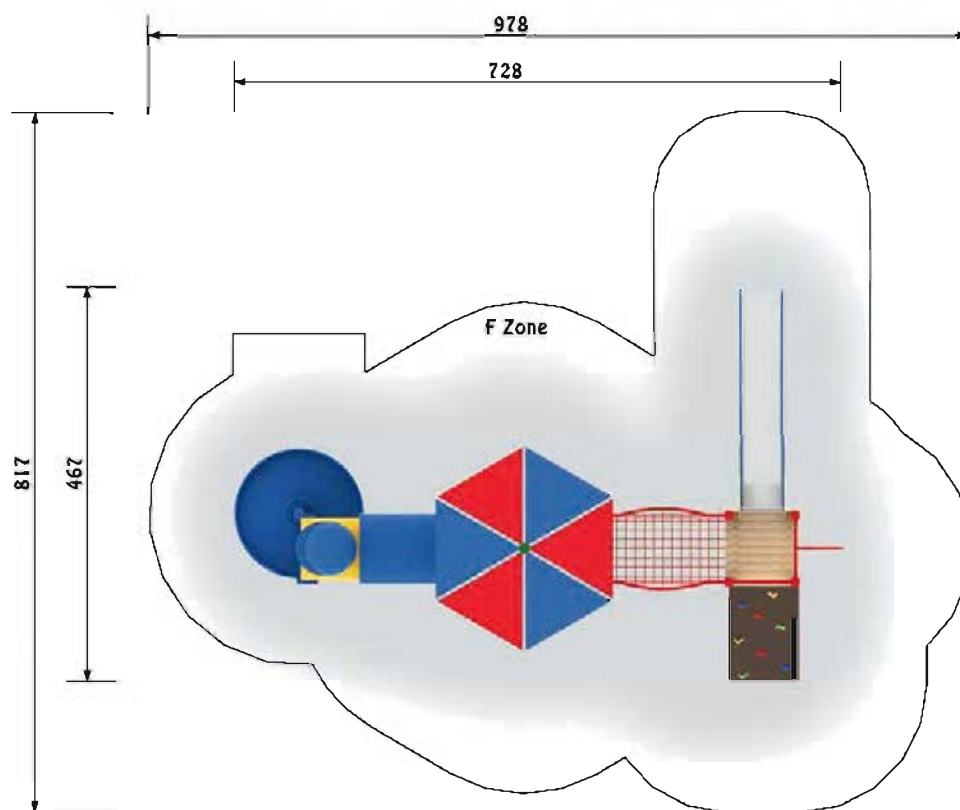
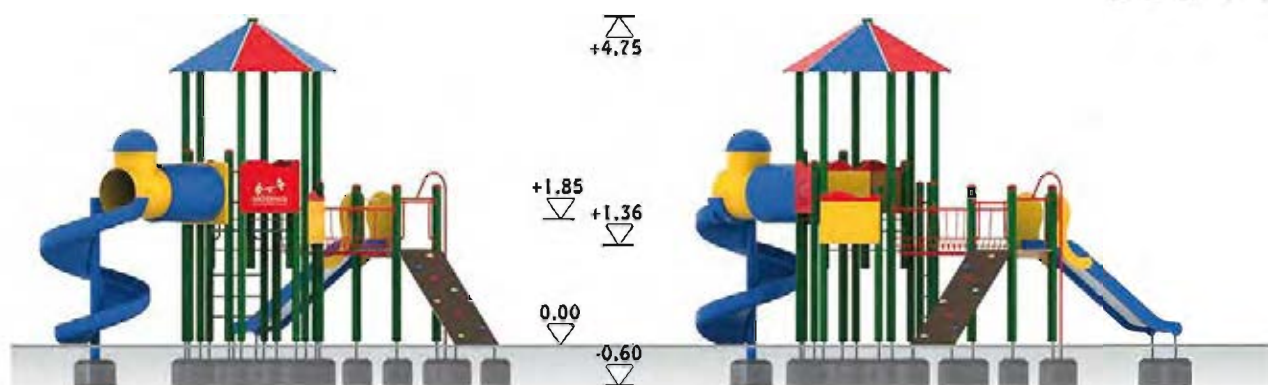


Free zone	64,36 m ²	
Minimum space	1122 cm / 944 cm	
Maximum set dimension	735 cm / 642 cm / 475 cm (height)	
Weight	1350 kg	
Surfacing: sand, gravel, bark, synthetic		
Free height of fall	300 cm	
The set consists of:		
- hexagonal tower with roof, platforms height 136 cm and 210 cm	1 pc	- tower without roof, platform height 136 cm 1 pc
- tyre tunnel	1 pc	- rope bridge 1 pc
- slide height 136 cm	1 pc	- entrance gangway height 136 cm 1 pc
- slide height 210 cm	1 pc	- fireman pipe height 136 cm 1 pc
- noughts and crosses	1 pc	

(*) It is possible to chose alternative elements, available in our offer

Twisted Yard set



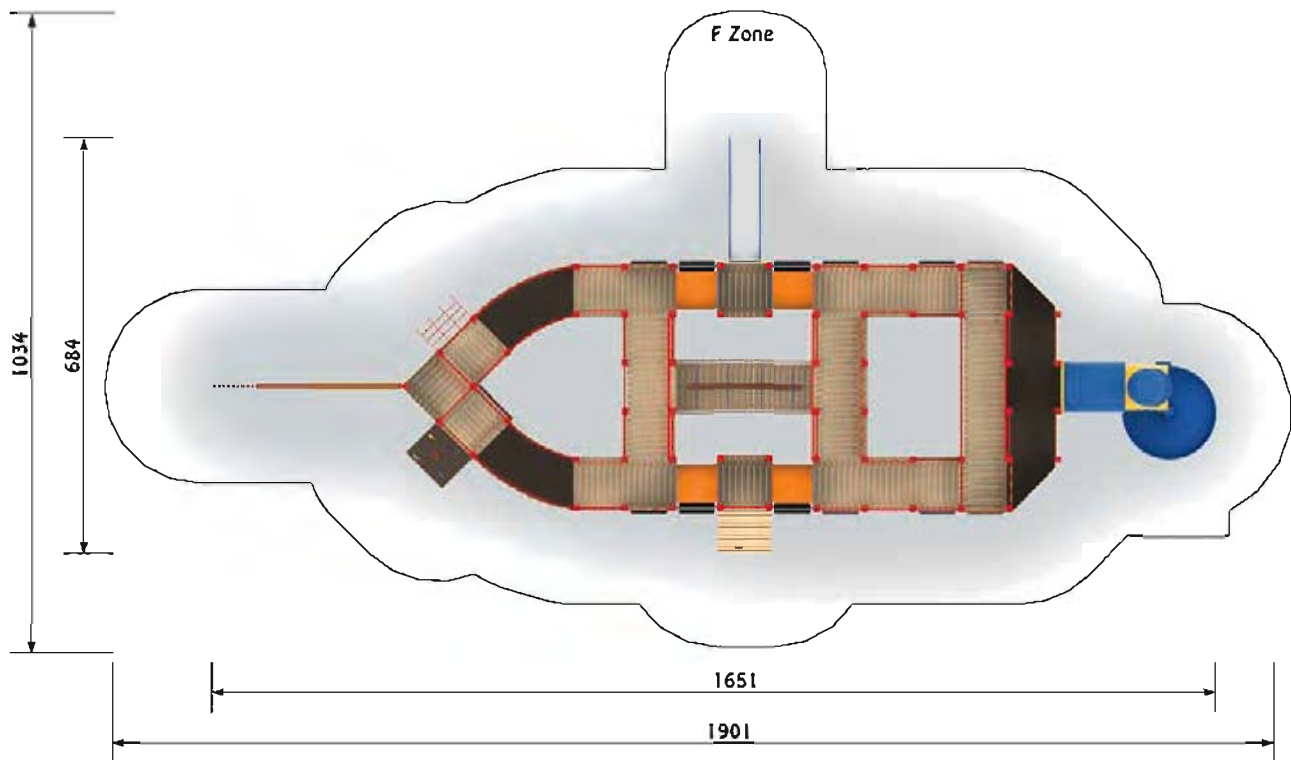
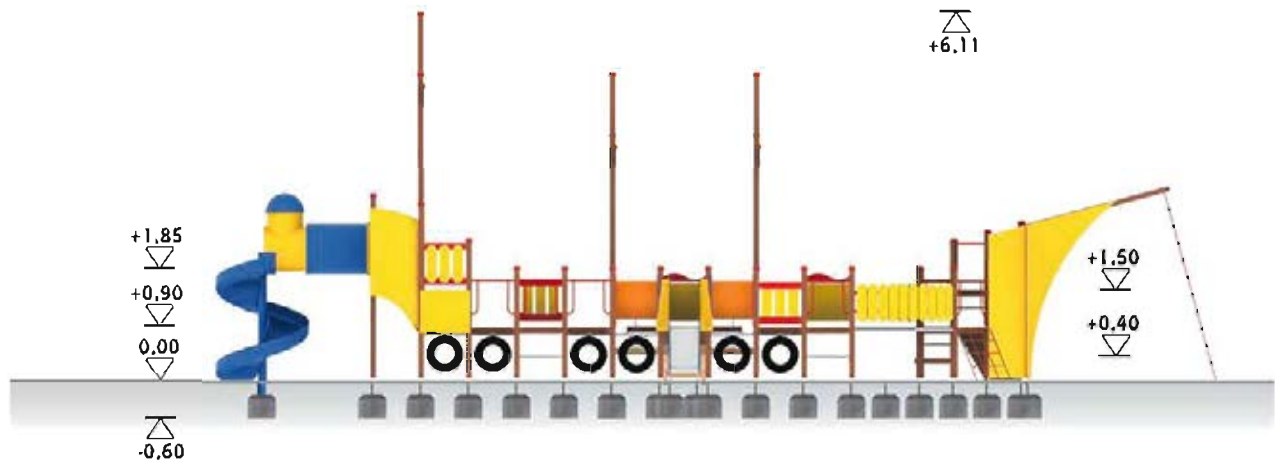


Free zone	50,18 m ²
Minimum set dimension	978 cm / 817 cm
Maximum set dimension	728 cm / 467 cm / 475 cm (height)
Weight	1350 kg
Surfacing: sand, gravel, bark, synthetic	
Free height of fall	185 cm
The set consists of:	
- hexagonal tower with roof, platforms height 136 cm and 185 cm	1 pc
- tower without roof, platform height 136 cm	1 pc
- climbing wall height 136 cm	1 pc
- spiral slide with platform height 185 cm	1 pc
- noughts and crosses	1 pc
- rope bridge	1 pc
- fireman pipe height 136 cm	1 pc
- slide height 136 cm	1 pc

(*) It is possible to choose alternative elements, available in our offer

Ana-Maria Ship





Free zone	112,07 m ²
Minimum space	1901 cm / 1034 cm
Maximum set dimension	1651 cm / 684 cm / 611 cm (height)
Weight	5000 kg
Surfacing: sand, gravel, synthetic	
Free height of fall	185 cm
The set consists of:	
- slanting climbing rope height 90 cm	1 pc
- entrance stairs height 90 cm	1 pc
- slide height 90 cm	1 pc
- climbing wall height 90 cm	1 pc
- spiral slide with platform height 185 cm	1 pc.
- drawing board	2 pcs
- deck made of moving blocks	1 pc
- horizontal tunnel	4 pcs
- arch bridge	2 pcs
- climbing rope	1 pc
- mast	3 pcs
- vertical ropenet 200 cm	1 pc

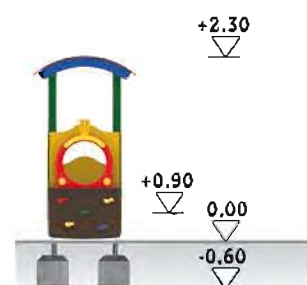
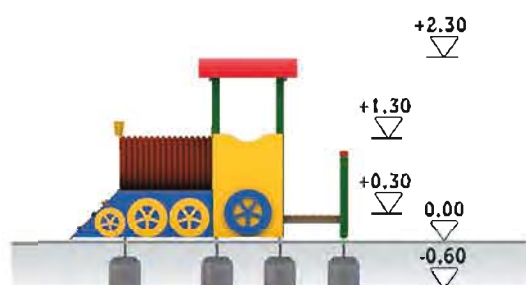
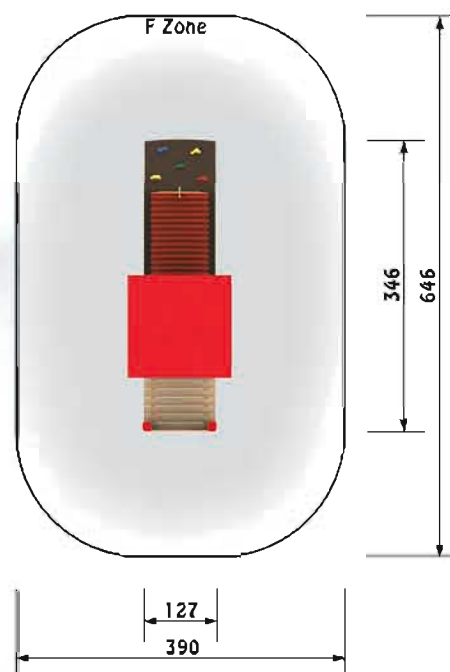
(*1) It is possible to choose alternative elements, available in our offer

Device easily accessible, no age limit

Locomotive with a tunnel

10008

Free zone	23,26 m ²
Minimum space	646 cm / 390 cm
Maximum set dimension	346 / 127 / 230 cm
Weight	380 kg
Surfacing: sand, gravel, bark, synthetic	
Free height of fall	130 cm

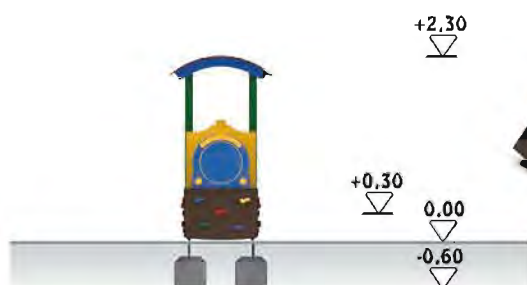
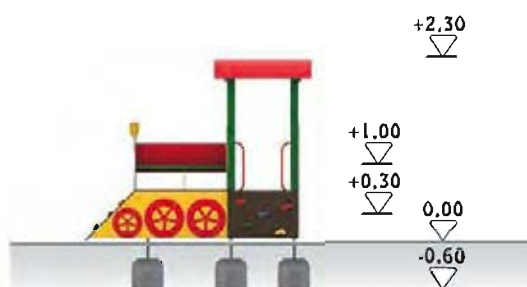
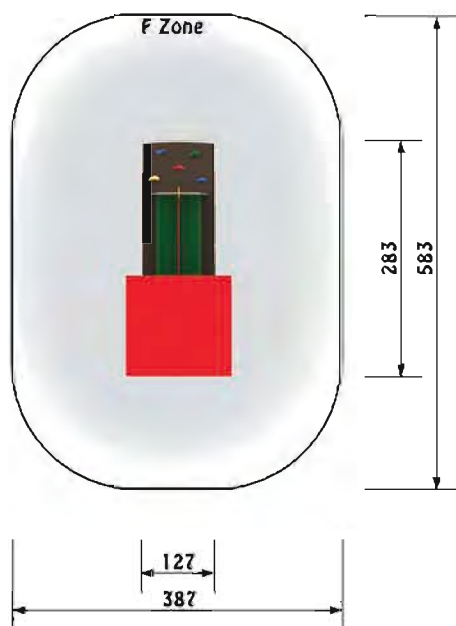


Device easily accessible, no age limit

10009

Locomotive with a bench

Free zone	20,64 m ²
Minimum space	583 cm / 387 cm
Maximum set dimension	283 / 127 / 230 cm
Weight	350 kg
Surfacing: sand, gravel, bark, synthetic, grass	
Free height of fall	100 cm



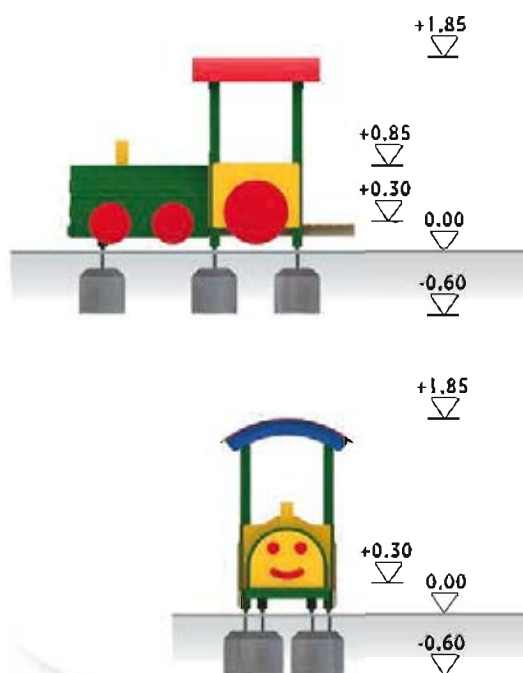
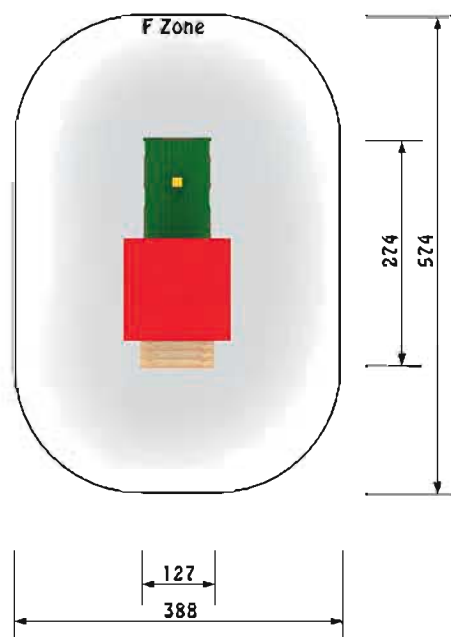
Device easily accessible, no age limit

Locomotive

with a deck

10023

Free zone	20,31 m ²
Minimum space	574 cm / 388 cm
Maximum set dimension	274 / 127 / 185 cm
Weight	410 kg
Surfacing: sand, gravel, bark, synthetic, grass	
Free height of fall	85 cm

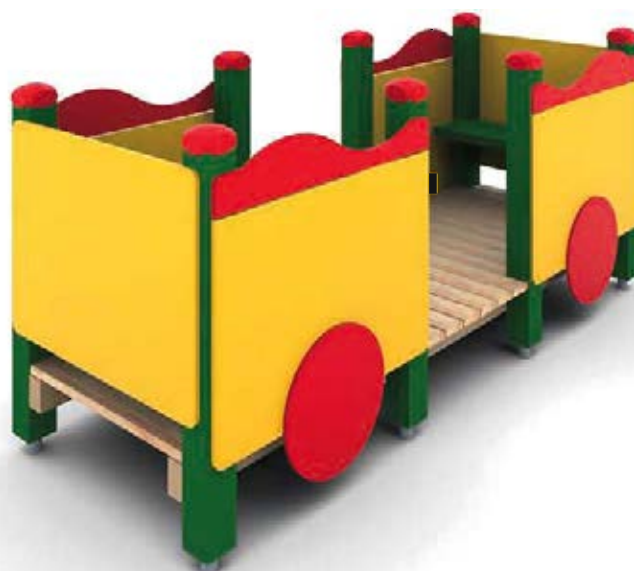
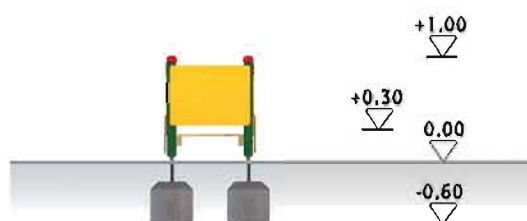
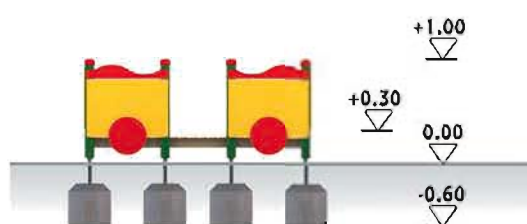
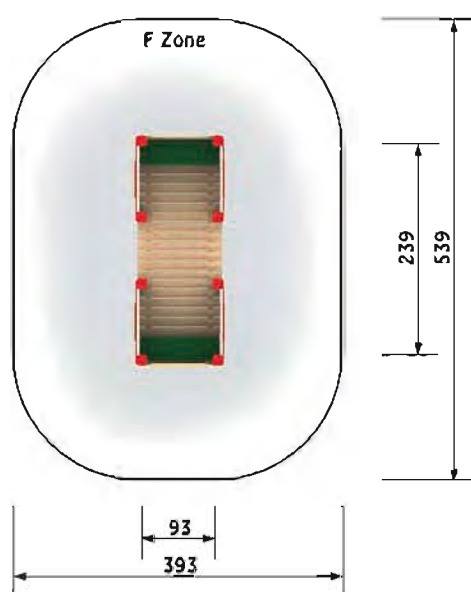


Device easily accessible, no age limit

10010

open Carriage

Free zone	19,37 m ²
Minimum space	539 cm / 393 cm
Maximum set dimension	239 / 93 / 100 cm
Weight	235 kg
Surfacing: sand, gravel, bark, synthetic, grass	
Free height of fall	30 cm

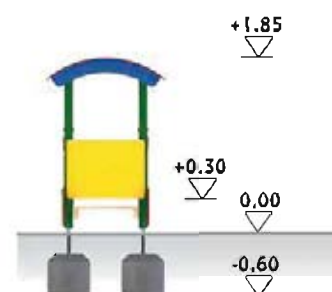
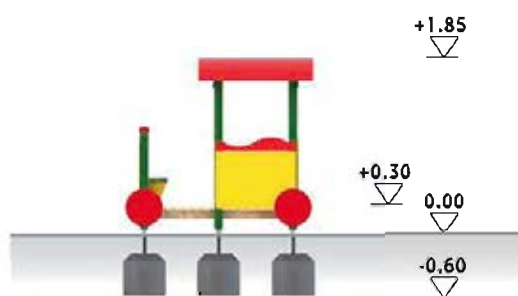
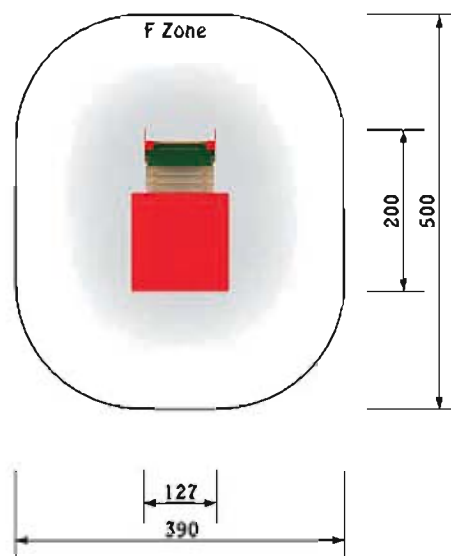


Device easily accessible, no age limit

Half - open Carriage

10011

Free zone	17,57 m ²
Minimum space	500 cm / 390 cm
Maximum set dimension	200 / 127 / 185 cm
Weight	340 kg
Surfacing: sand, gravel, bark, synthetic, grass	
Free height of fall	30 cm

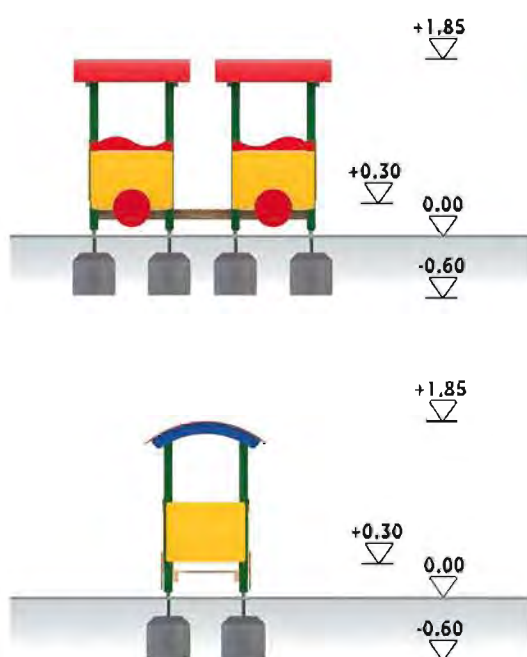
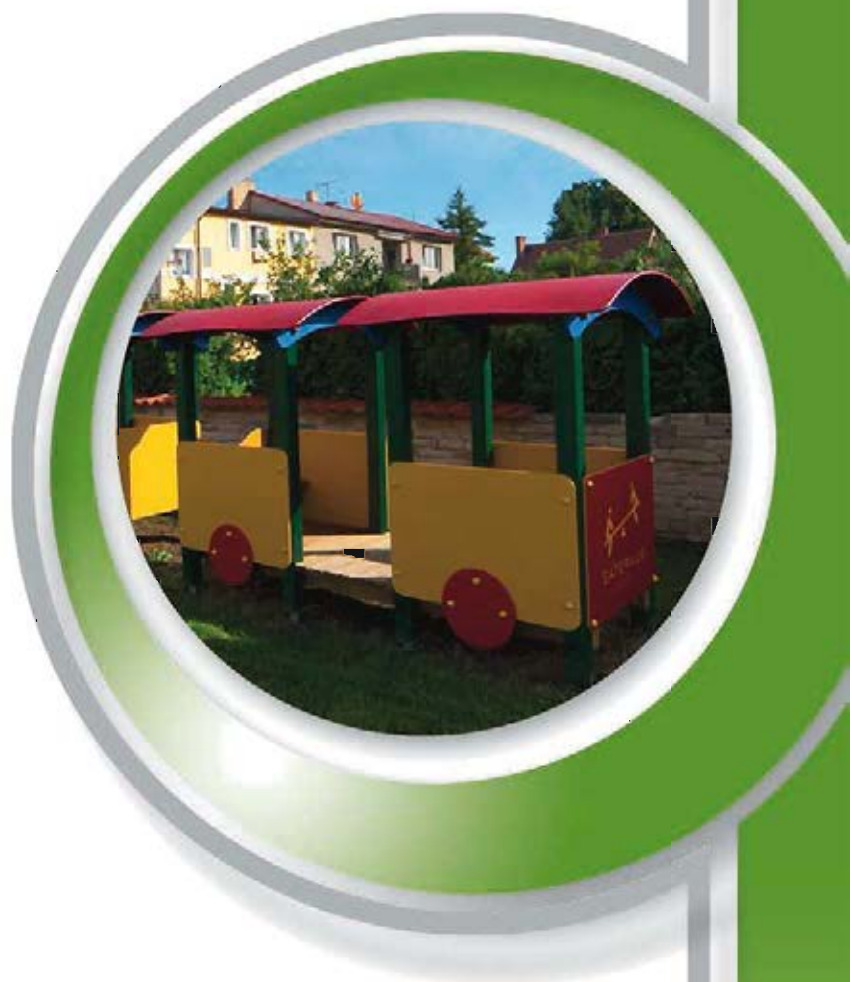
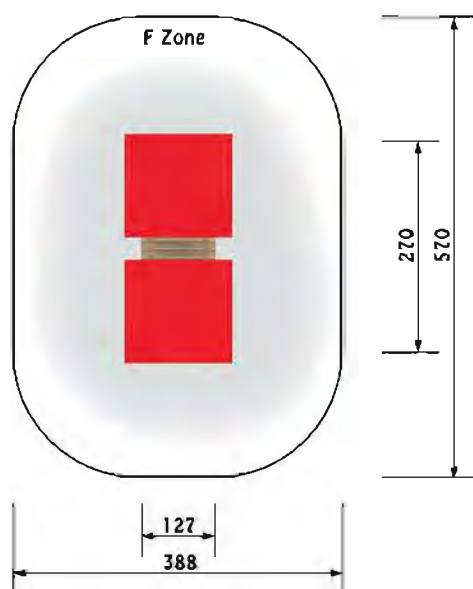


Device easily accessible, no age limit

10012

Closed Carriage

Free zone	20,16 m ²
Minimum space	570 cm / 388 cm
Maximum set dimension	270 / 127 / 185 cm
Weight	340 kg
Surfacing: sand, gravel, bark, synthetic, grass	
Free height of fall	30 cm

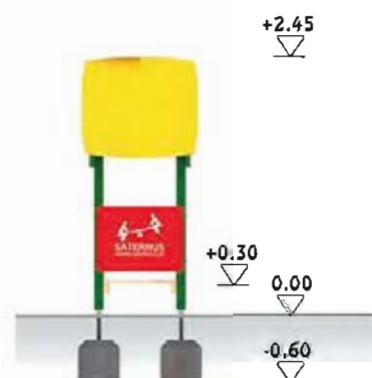
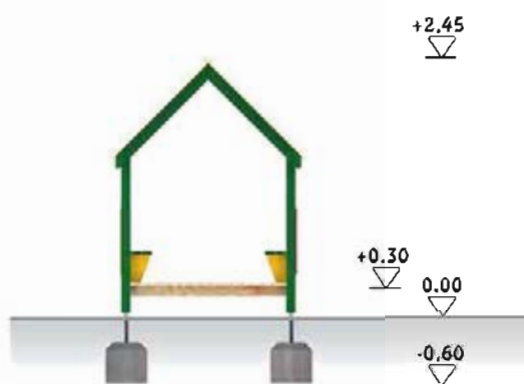
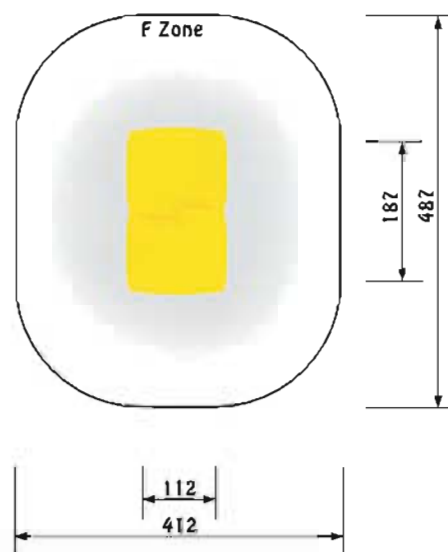


Device easily accessible, no age limit

Playhouse Aga

10025

Free zone	18,14 m ²
Minimum space	487 cm / 412 cm
Maximum set dimension	187 / 112 / 245 cm
Weight	180 kg
Surfacing: sand, gravel, bark, synthetic, grass	
Free height of fall	30 cm

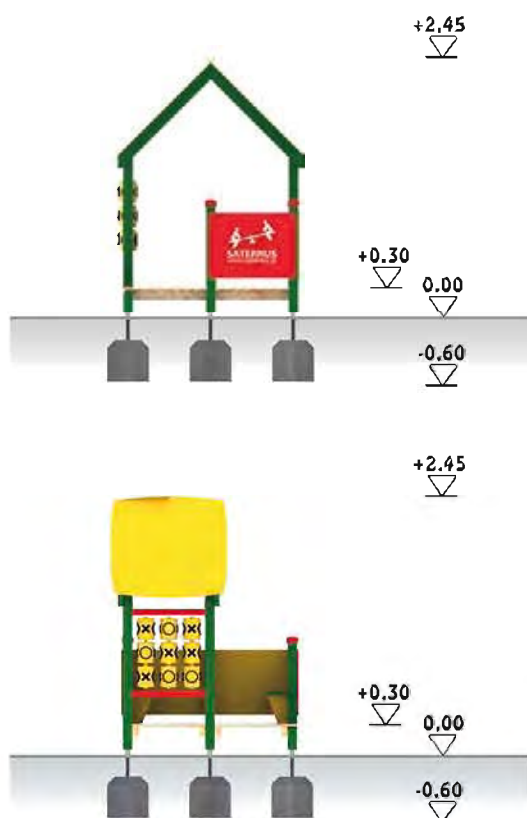
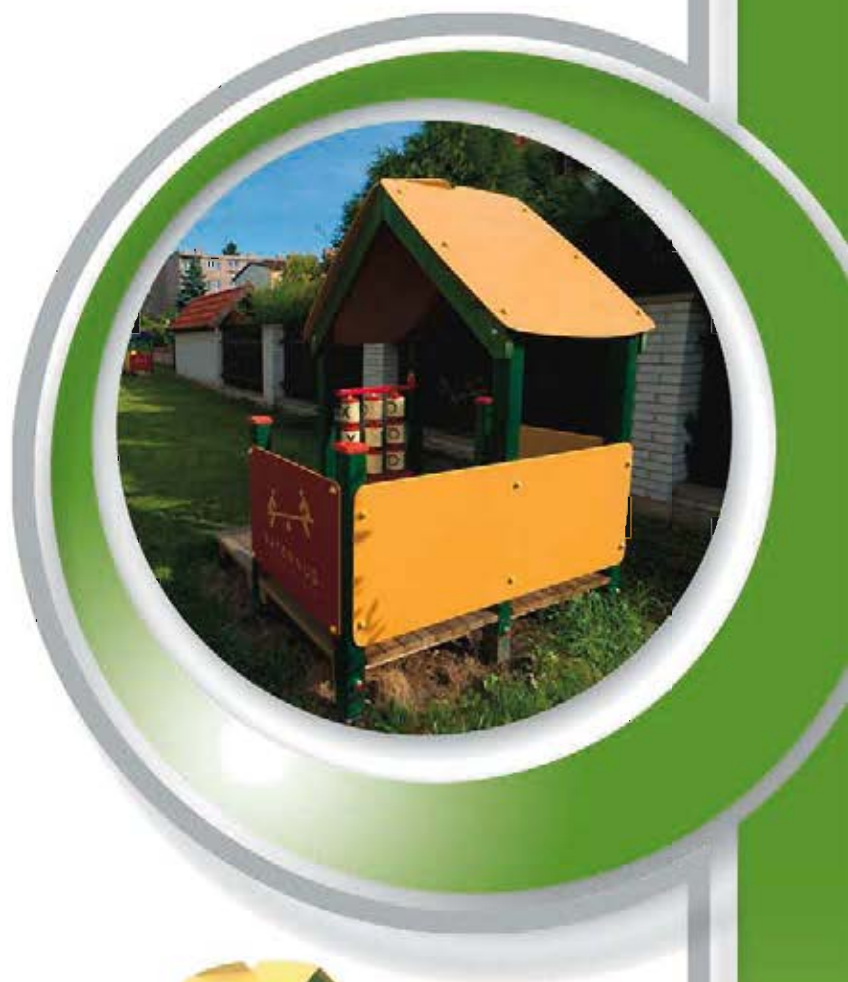
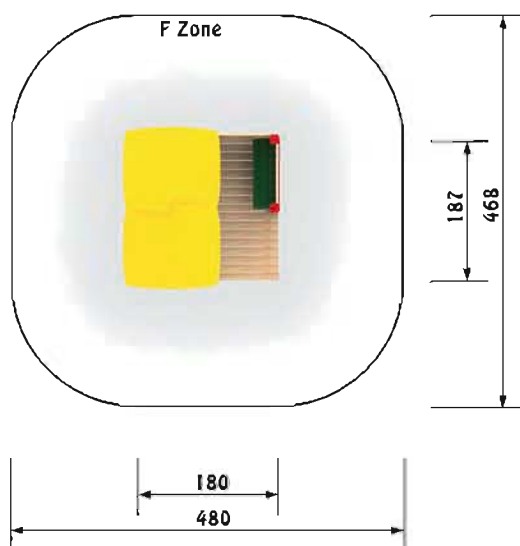


Device easily accessible, no age limit

10024

Playhouse Agatka

Free zone	20,58 m ²
Minimum space	468 cm / 480 cm
Maximum set dimension	187 / 180 / 245 cm
Weight	180 kg
Surfacing: sand, gravel, bark, synthetic, grass	
Free height of fall	30 cm

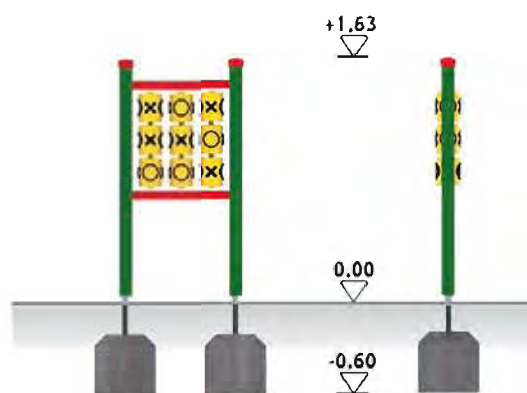
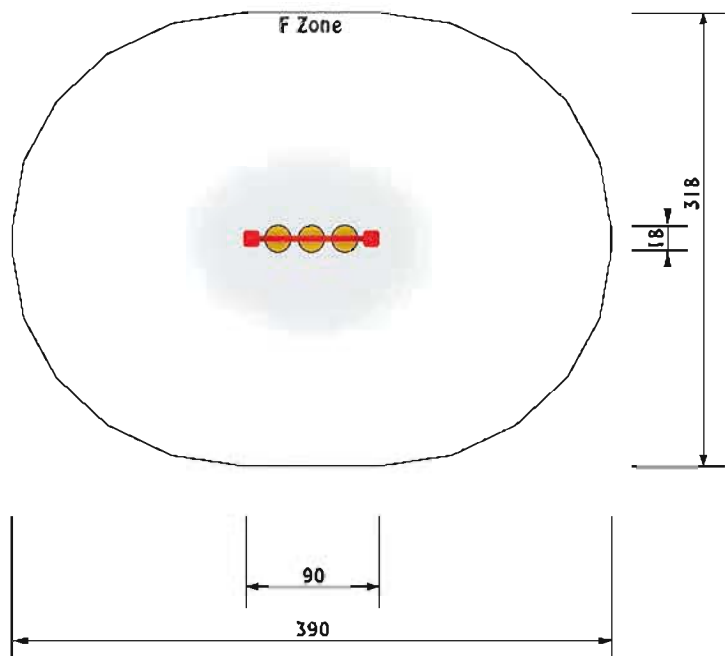


Noughts and crosses

10035



Free zone	10,47 m ²
Minimum space	318 cm / 390 cm
Maximum set dimension	18 / 90 / 163 cm
Weight	70 kg
Surfacing:	sand, gravel, bark, synthetic, grass

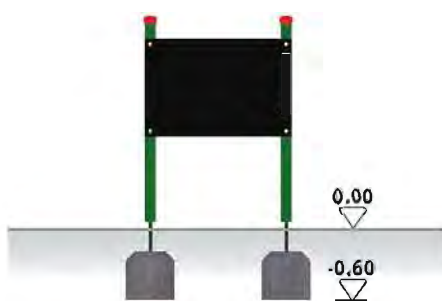
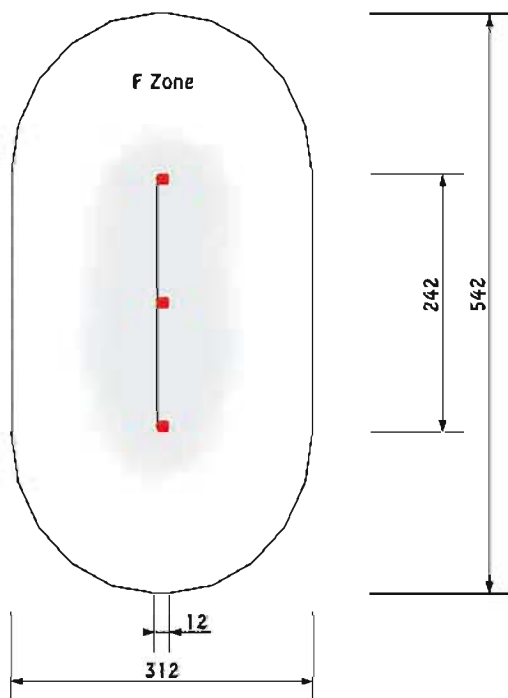


2005

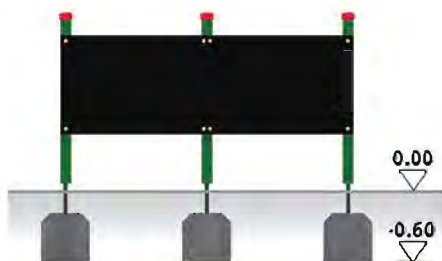
Drawing board

single, double and triple

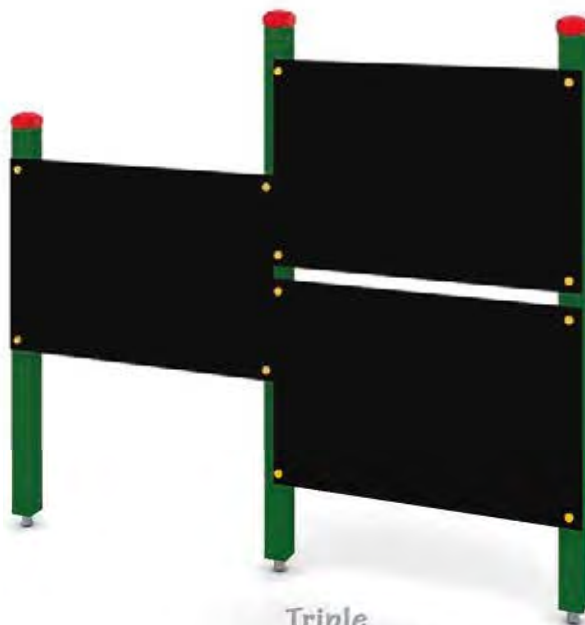
Free zone	14,96 m ²
Minimum space	312 cm / 542 cm
Maximum set dimension	12 / 242 / 215 cm
Weight	80 kg
Surfacing: sand, gravel, bark, synthetic, grass	



Single drawing board
2005_2



Double drawing board
2005_3

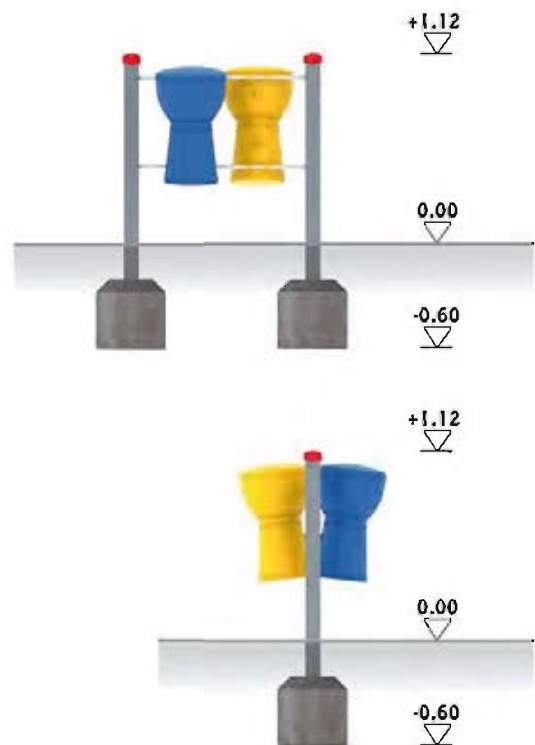
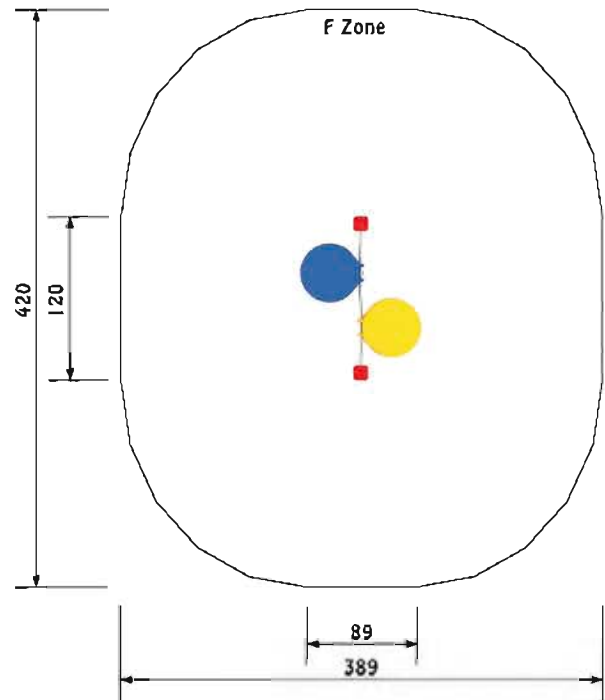


Triple drawing board
2005_1

Small Tam-Tam drums

10060

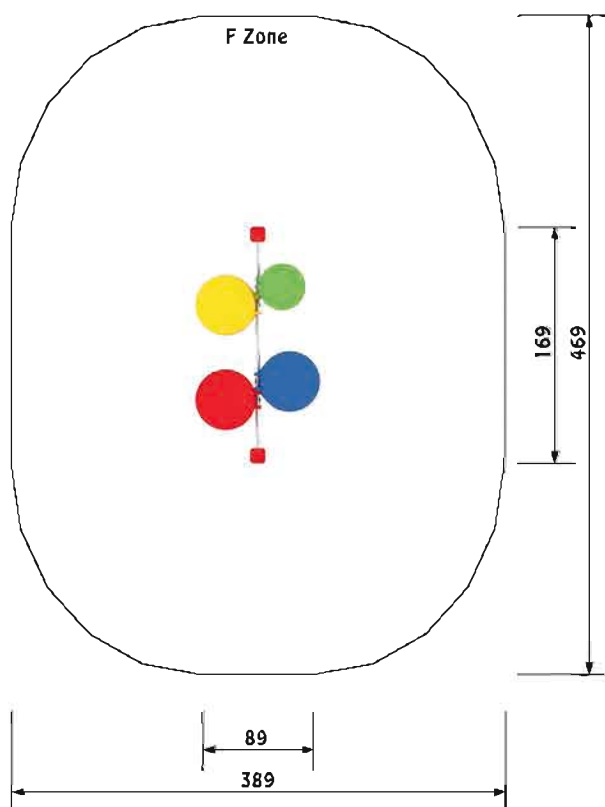
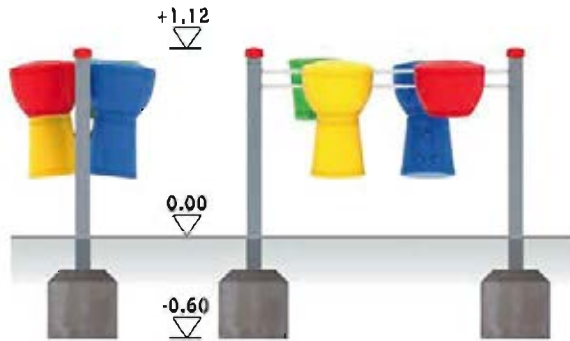
Free zone	14,39 m ²
Minimum space	420 cm / 389 cm
Maximum set dimension	120 / 89 / 112 cm
Surfacing: sand, gravel, bark, synthetic, grass	



10061

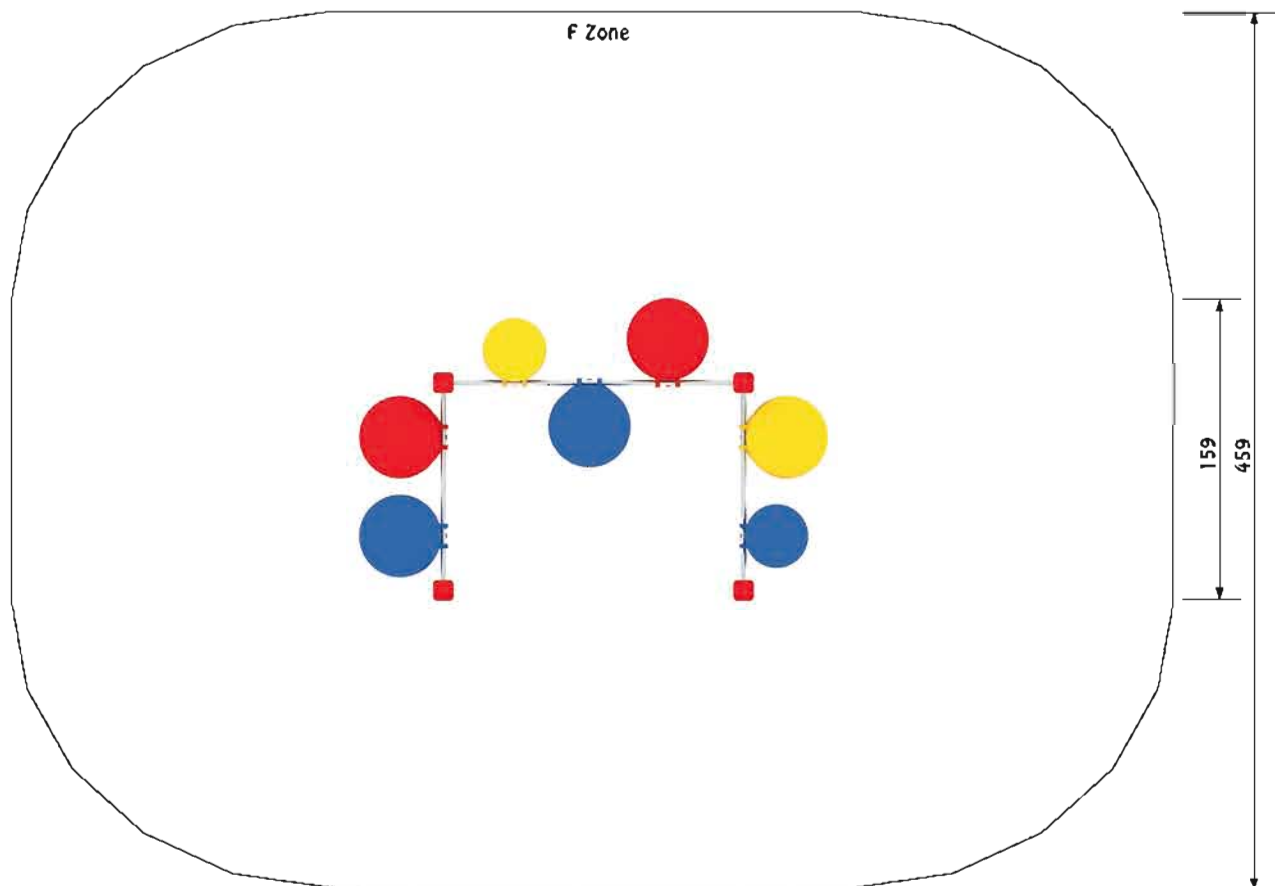
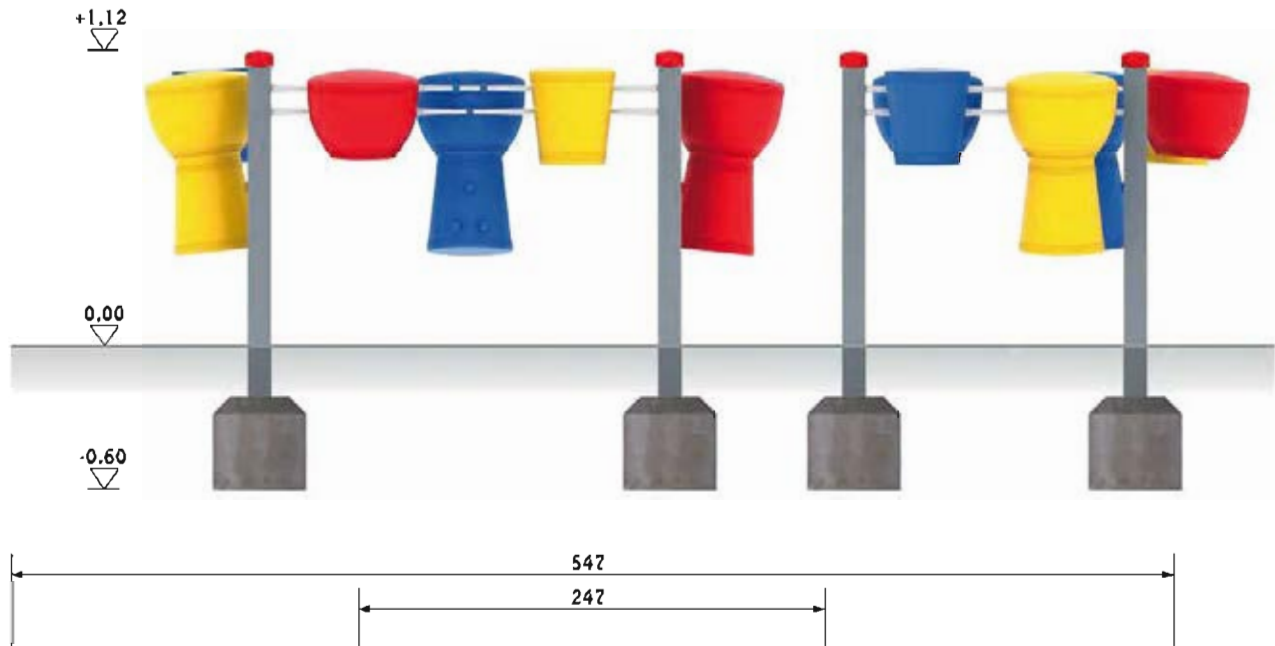
Big Tam-Tam drums

Free zone	16,22 m ²
Minimum space	469 cm / 389 cm
Maximum set dimension	169 / 89 / 112 cm
Surfacing: sand, gravel, bark, synthetic, grass	



Drums circle





Free zone	23,12 m ²
Minimum space	547 cm / 459 cm
Maximum set dimension	247 cm / 159 cm / 112 cm (height)
Surfacing:	sand, gravel, bark, synthetic, grass



Metal Sets

10001_M	Patricia set with metal legs	(Device easily accessible, no age limit)	p. 106
10030_M	Darek set with metal legs	(Device non easily accessible, no age limit)	p. 107
10002_M	Preschooier set with metal legs	(Device non easily accessible, no age limit)	p. 108
20002_M	Tom set with metal legs	(Device easily accessible, no age limit)	p. 110
20004_M	Tymon set with metal legs	(Device easily accessible, no age limit)	p. 112
30001_M	Patrick set with metal legs	(Device easily accessible, no age limit)	p. 113
30014_M	Caroline set with metal legs	(Device non easily accessible, no age limit)	p. 114
41501	Orion set	(Device non easily accessible, no age limit)	p. 116
41401	Apollo set	(Device non easily accessible, no age limit)	p. 117
41601	Phoenix set	(Device non easily accessible, no age limit)	p. 118
41602	Taurus set	(Device non easily accessible, no age limit)	p. 119
425601	Andromeda set	(Device non easily accessible, no age limit)	p. 120
425605	Hercules set	(Device easily accessible, no age limit)	p. 122
425607	Cassiopeia set	(Device easily accessible, no age limit)	p. 124
445556	Scorpius set	(Device non easily accessible, no age limit)	p. 126

Device easily accessible, no age limit

Patricia set

with metal legs

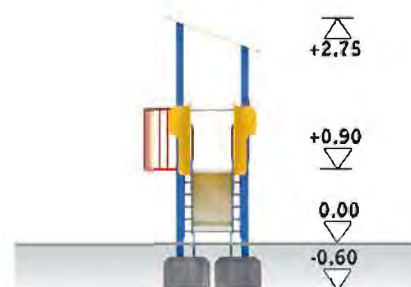
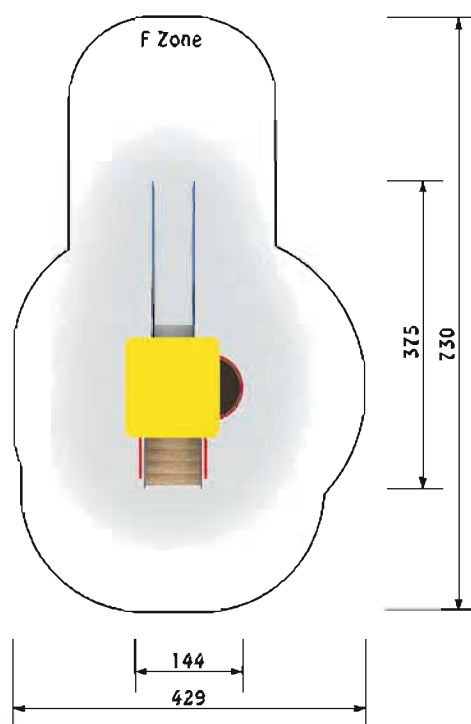
10001_M

Free zone	23,16 m ²
Minimum space	730 cm / 429 cm
Maximum set dimension	375 / 144 / 275 cm
Weight	340 kg
Surfacing sand, gravel, bark, synthetic, grass	
Free height of fall	90 cm

The set consists of:

-tower with roof, platform height 90cm	1 pc
-stairs height 90cm	1 pc
-balcony	1 pc
-slide height 90cm	1 pc

(*) It is possible to chose alternative elements, available in our offer



Device easily accessible, no age limit

10030_M

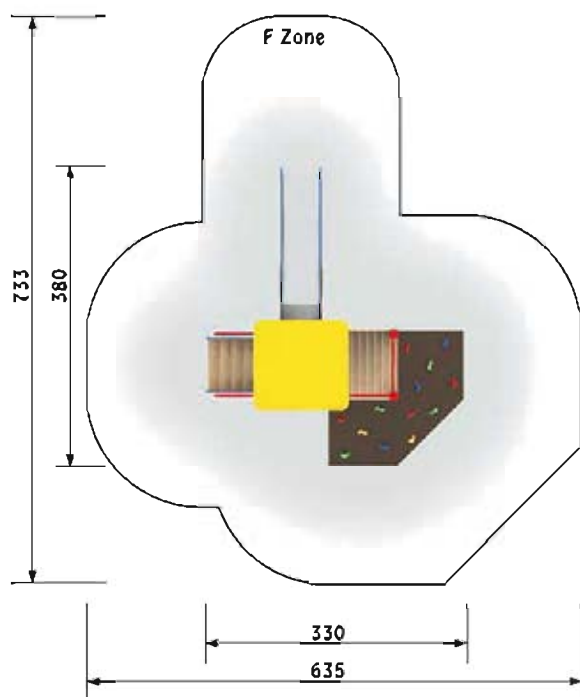
Darek set with metal legs

Free zone	31,35 m ²
Minimum space	733 cm / 635 cm
Maximum set dimension	330 / 380 / 275 cm
Weight	490 kg
Surfacing sand, gravel, bark, synthetic, grass	
Free height of fall	90 cm

The set consists of:*

-lower with roof, platform height 90cm	1 pc
-lower without roof, platform height 90cm	1 pc
-gangway height 90cm	1 pc
-climbing wall height 90cm	1 pc
-slide height 90cm	1 pc

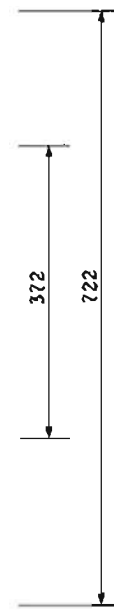
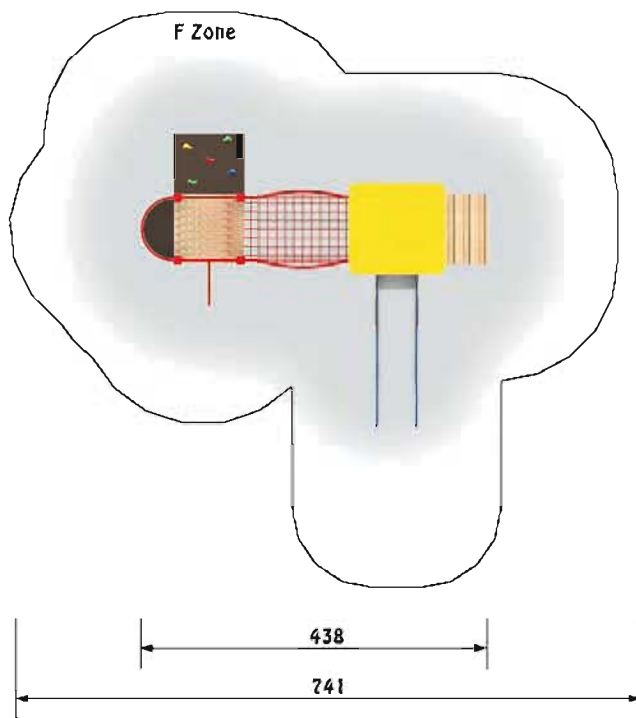
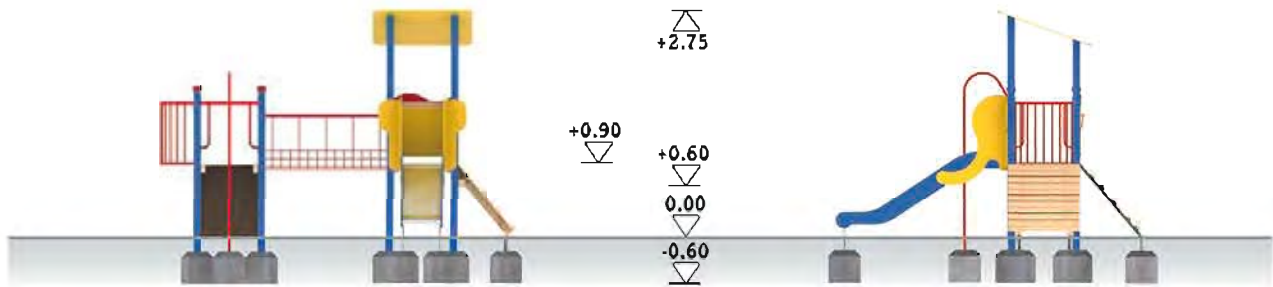
(*) It is possible to choose alternative elements, available in our offer



Preschooler set

with metal legs





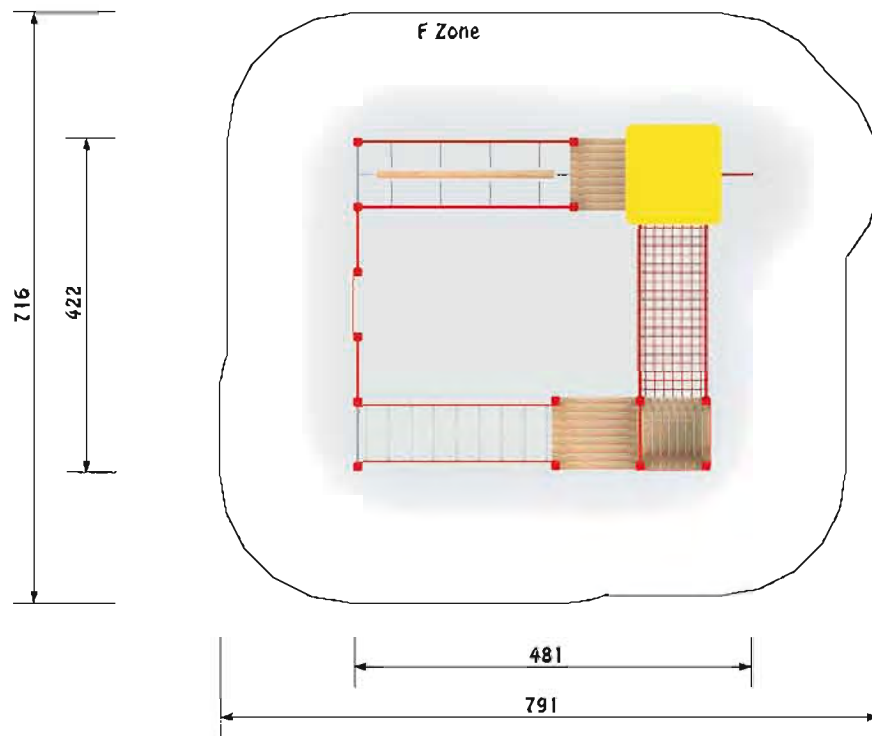
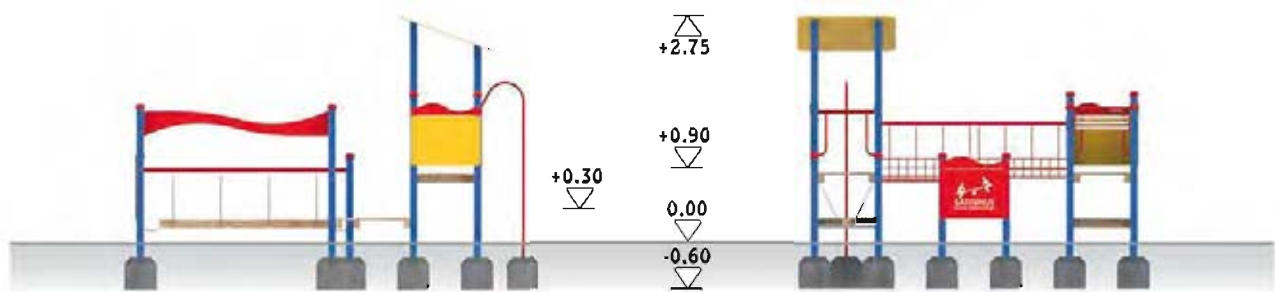
Free zone	35,47 m ²
Minimum space	741 cm / 722 cm
Maximum set dimension	438 cm / 372 cm / 275 cm (height)
Weight	555 kg
Surfacing sand, gravel, bark, synthetic, grass	
Free height of fall	90 cm
The set consists of: *	
-tower with roof, platform height 90cm	1 pc
-tower without roof, platform height 90cm	1 pc
-slanting climbing wall height 90cm	1 pc
-rope bridge	1 pc
-entrance gangway height 90cm	1 pc
-balcony	1 pc
-slide height 90cm	1 pc
-fireman tube	1 pc

(*) It is possible to chose alternative elements, available in our offer

Tom set

with metal legs





Free zone	51,54 m ²
Minimum space	791 cm / 716 cm
Maximum set dimension	481 cm / 422 cm / 275 cm (height)
Weight	745 kg
Surfacing sand, gravel, bark, synthetic	
Free height of fall	165 cm
The set consists of:	
-tower with roof, platform height 90cm	1 pc
-tower without roof, platform height 90cm	1 pc
-tower without roof, platform height 30cm	1 pc
-tower without roof, wide platform height 30cm	1 pc
-fireman tube	1 pc
-rope bridge	1 pc
-small horizontal ladder	1 pc
-deck	1 pc
-small duo somersault height 75 & 90cm	1 pc

(*) It is possible to choose alternative elements, available in our offer

Device easily accessible, no age limit

Tymon set

with metal legs

20004_M

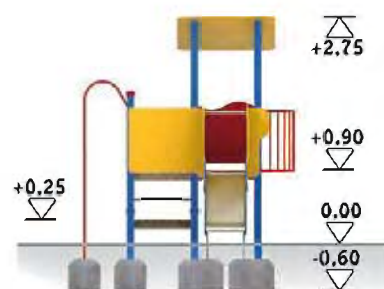
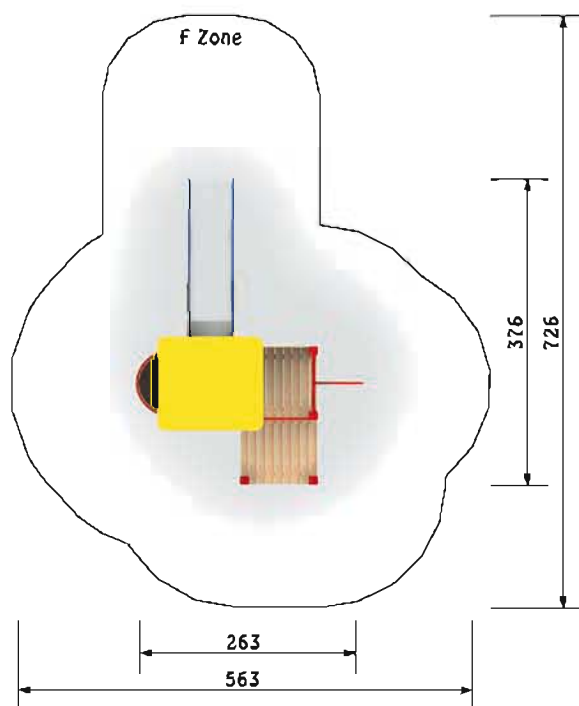


Free zone	27,08 m ²
Minimum space	726 cm / 563 cm
Maximum set dimension	376 / 263 / 275 cm
Weight	395 kg
Surfacing sand, gravel, bark, synthetic, grass	
Free height of fall	90 cm

The set consists of:

-tower with roof, platform height 90cm	1 pc
-tower without roof, platform height 90cm	1 pc
-tower without roof, platform height 25cm	1 pc
-slide height 90cm	1 pc
-balcony	1 pc
-fireman tube height 90cm	1 pc

(*) It is possible to chose alternative elements, available in our offer:



Device easily accessible, no age limit

30001_M

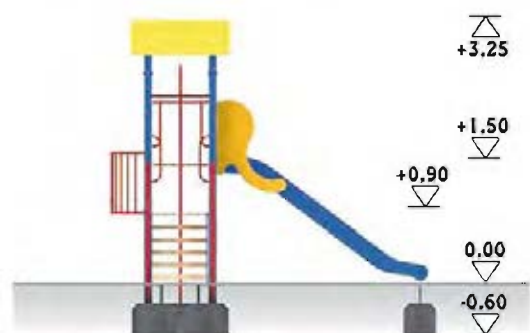
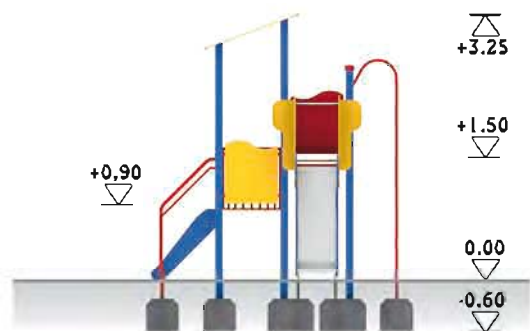
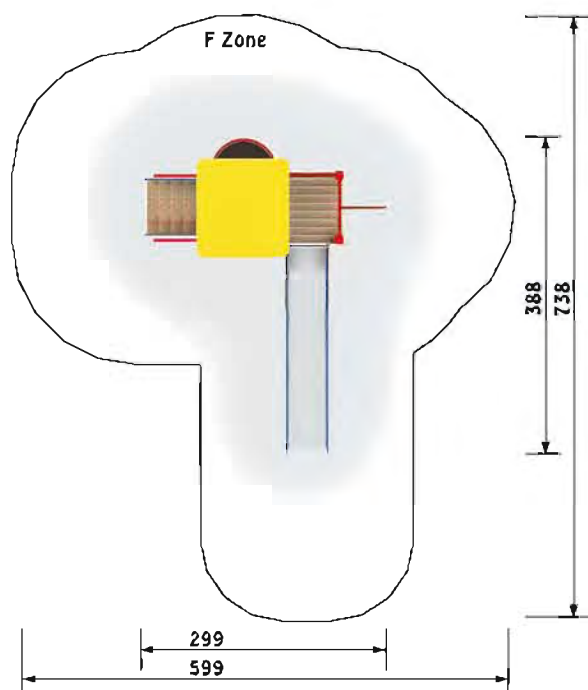
Patrick set with metal legs

Free zone	28,38 m ²
Minimum space	738 cm / 599 cm
Maximum set dimension	388 / 299 / 325 cm
Weight	785 kg
Surfacing sand, gravel, bark, synthetic	
Free height of fall	150 cm

The set consists of:

-lower with roof, platform height 90cm	1 pc
-lower without roof, platform height 150cm	1 pc
-entrance stairs height 90cm	1 pc
-slide height 150cm	1 pc
-fireman tube height 150cm	1 pc
-balcony	1 pc

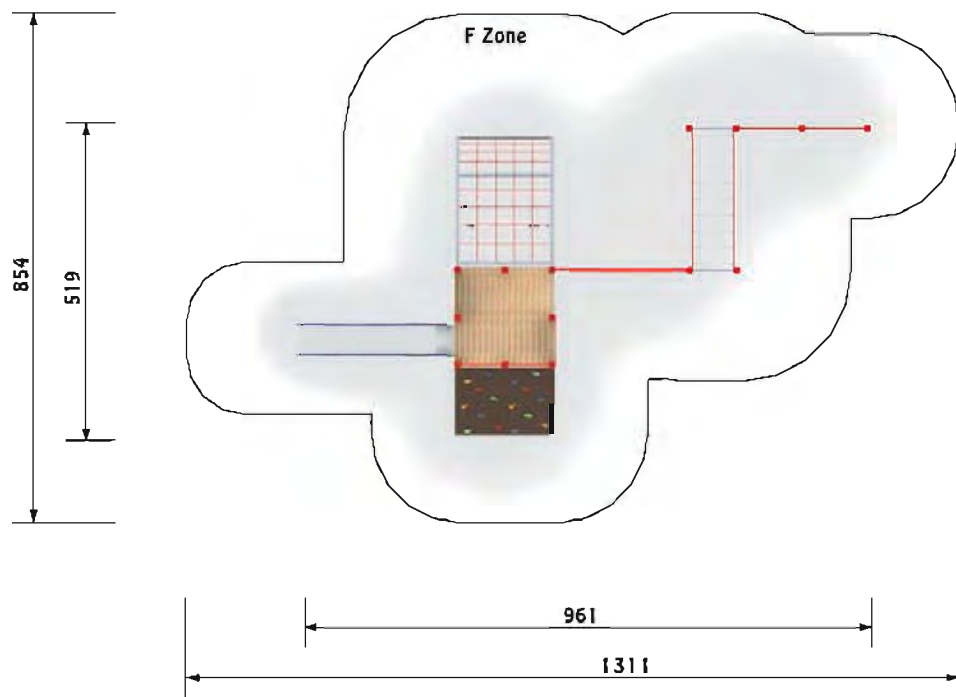
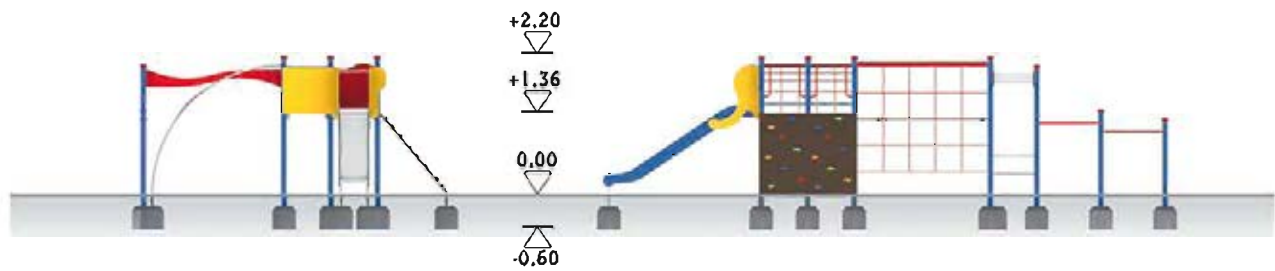
(*) It is possible to chose alternative elements, available in our offer



Caroline set

with metal legs





Free zone	72,29 m ²
Minimum space	1311 cm / 854 cm
Maximum set dimension	961 cm / 519 cm / 235 cm (height)
Weight	860 kg
Surfacing sand, gravel, bark, synthetic	
Free height of fall	220 cm
The set consists of:	
-big tower without roof, platform height 136cm	1 pc
-slanting climbing wall height 136cm	1 pc
-slide height 136cm	1 pc
-climbing arch	1 pc
-ropenet	1 pc
-big horizontal ladder	1 pc
-balcony	1 pc
-big duo somersault height 105 cm and 120 cm	1 pc

(*) It is possible to choose alternative elements, available in our offer

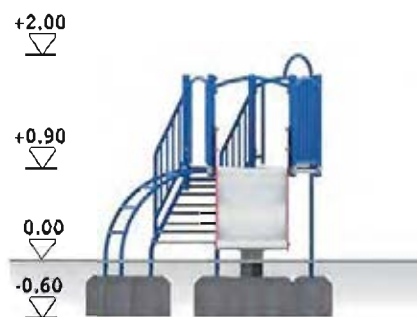
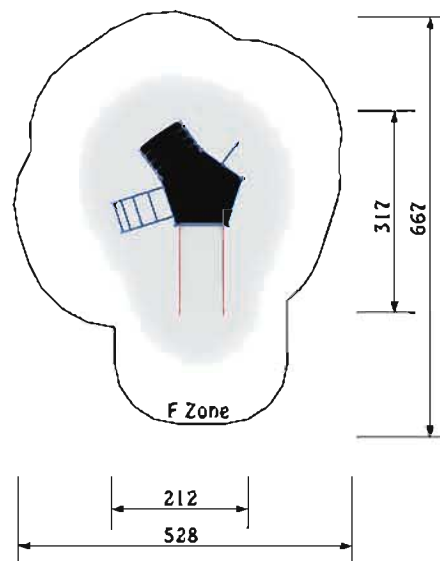
Device easily accessible, no age limit

Orion

metal set

41501

Free zone	24,67 m ²
Minimum space	667 cm / 528 cm
Maximum set dimension	317 / 212 / 200 cm
Weight	275 kg
Surfacing: sand, gravel, bark, synthetic, grass	
Free height of fall	90 cm

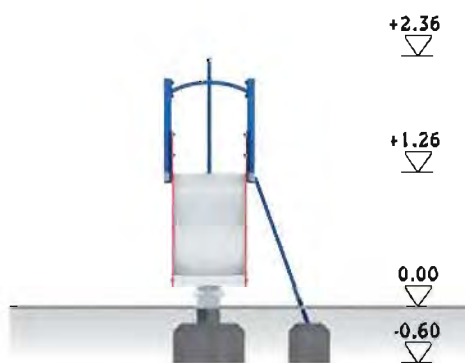
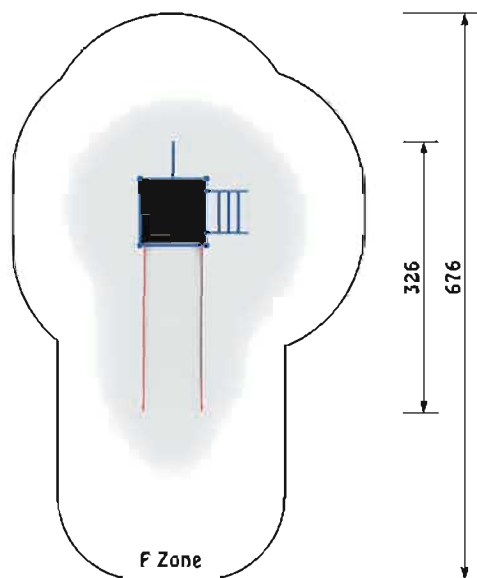


Device non easily accessible, no age limit

41401

Apollo
metal set

Free zone	20,82 m ²
Minimum space	676 cm / 433 cm
Maximum set dimension	326 / 133 / 236 cm
Weight	224 kg
Surfacing: sand, gravel, bark, synthetic	
Free height of fall	126 cm



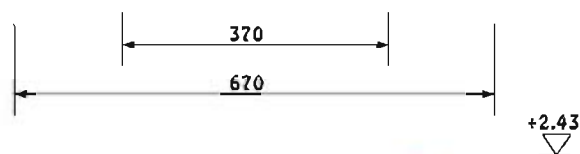
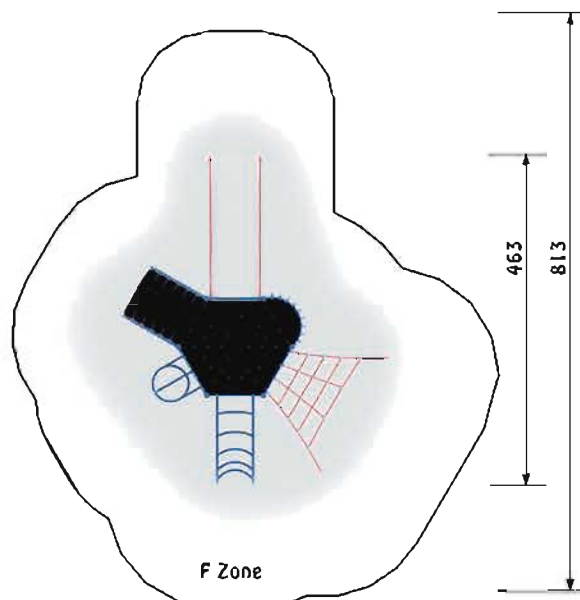
Device easily accessible, no age limit

Phoenix

metal set

41601

Free zone	35,80 m ²
Minimum space	813 cm / 670 cm
Maximum set dimension	463 / 370 / 243 cm
Weight	401 kg
Surfacing: sand, gravel, bark, synthetic	
Free height of fall	126 cm

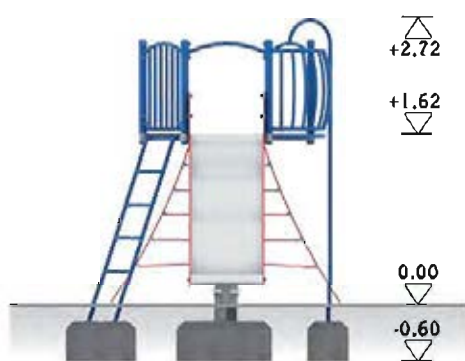
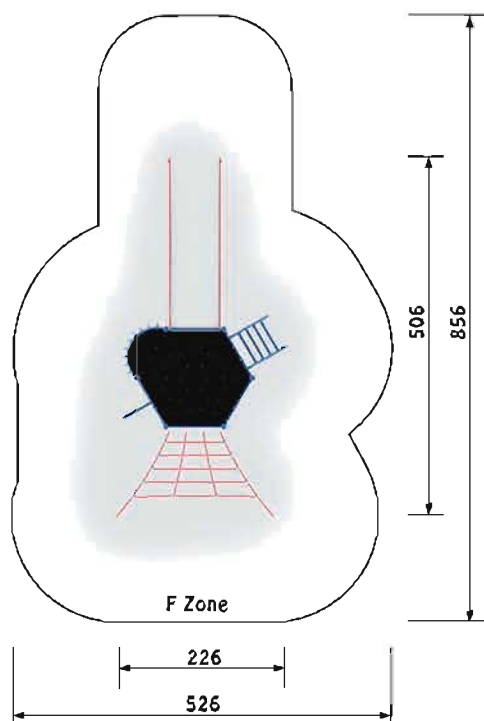


Device non easily accessible, no age limit

41602

Taurus
metal set

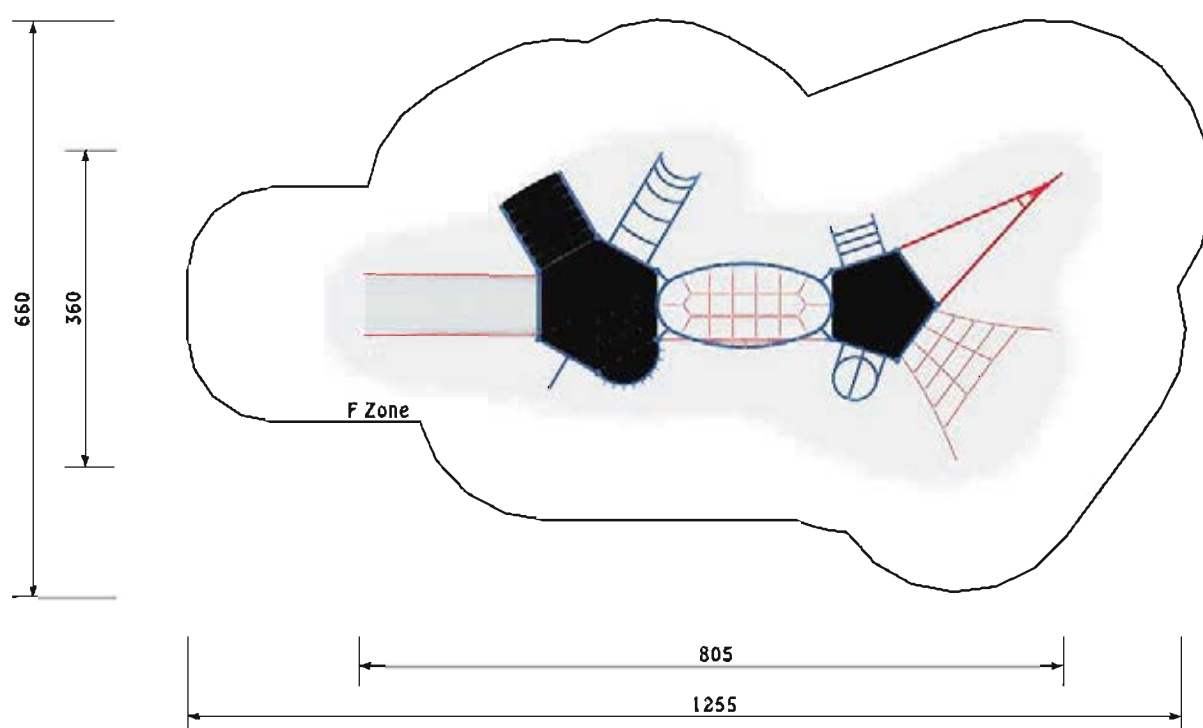
Free zone	34,15 m ²
Minimum space	856 cm / 526 cm
Maximum set dimension	506 / 226 / 272 cm
Weight	346 kg
Surfacing: sand, gravel, bark, synthetic	
Free height of fall	162 cm



Andromeda

metal set



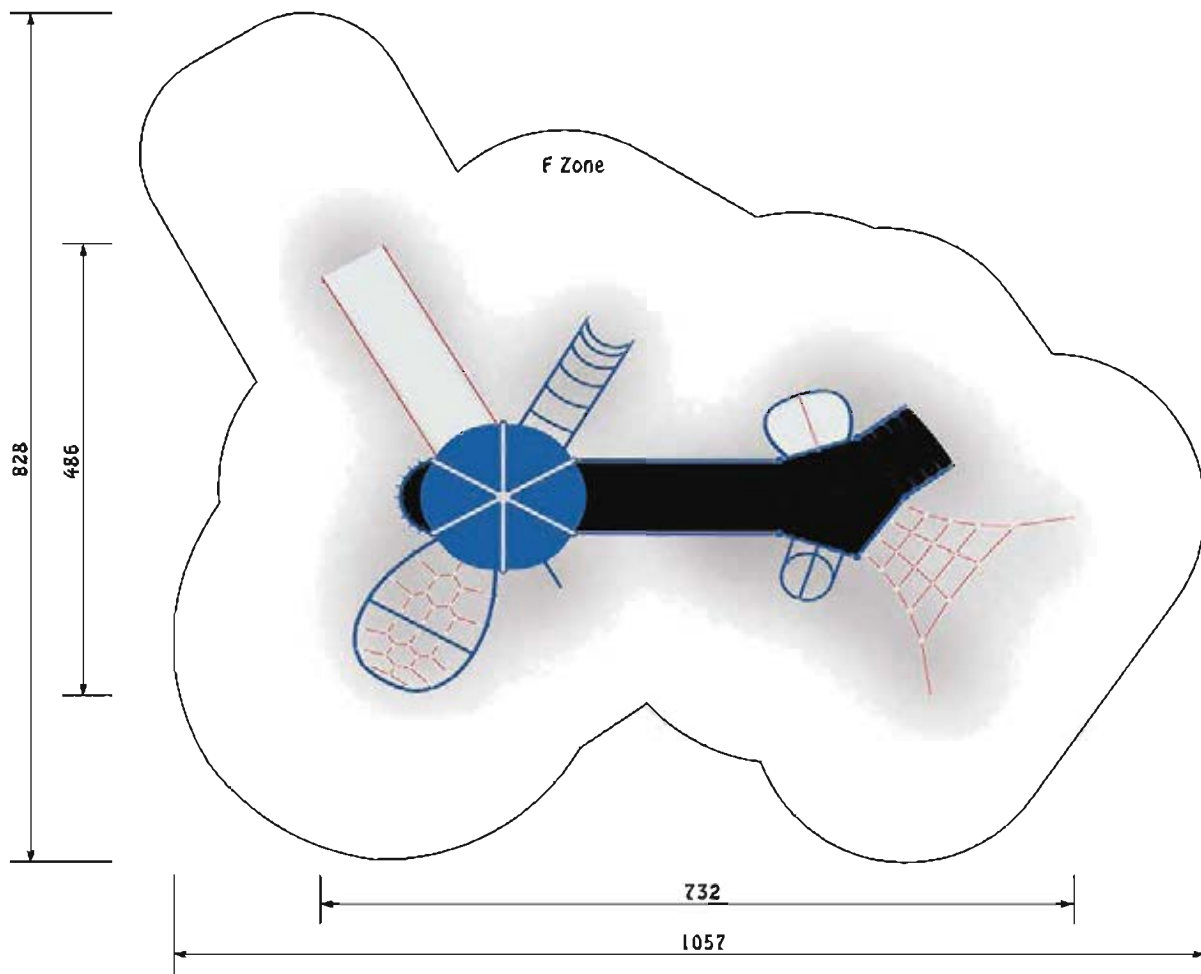
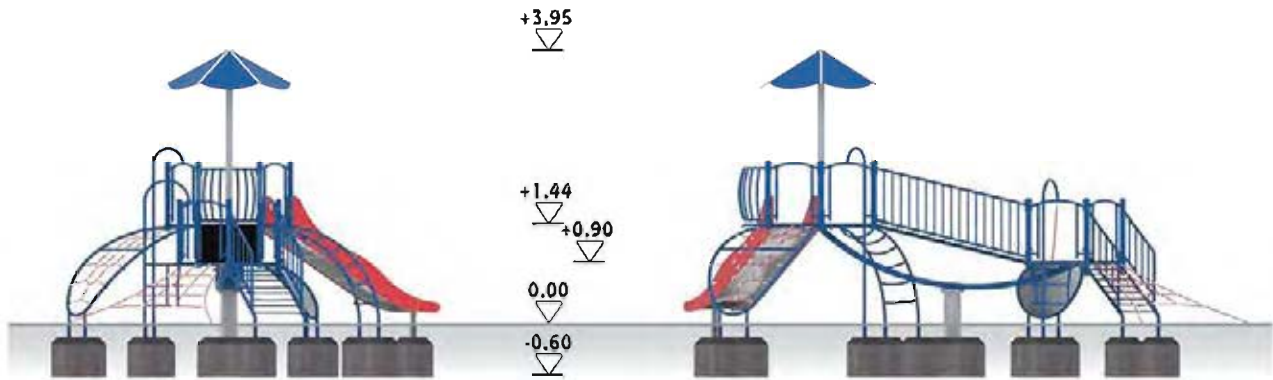


Free zone	52,77 m ²
Minimum space	1255 cm / 660 cm
Maximum set dimension	805 cm / 360 cm / 243 cm (height)
Weight	623 kg
Surfacing: sand, gravel, bark, synthetic	
Free height of fall	205 cm

Hercules

metal set





Free zone	56,80 m ²
Minimum space	1057 cm / 828 cm
Maximum set dimension	732 cm / 486 cm / 395 cm (height)
Weight	1050 kg
Surfacing: sand, gravel, bark, synthetic	
Free height of fall	144 cm

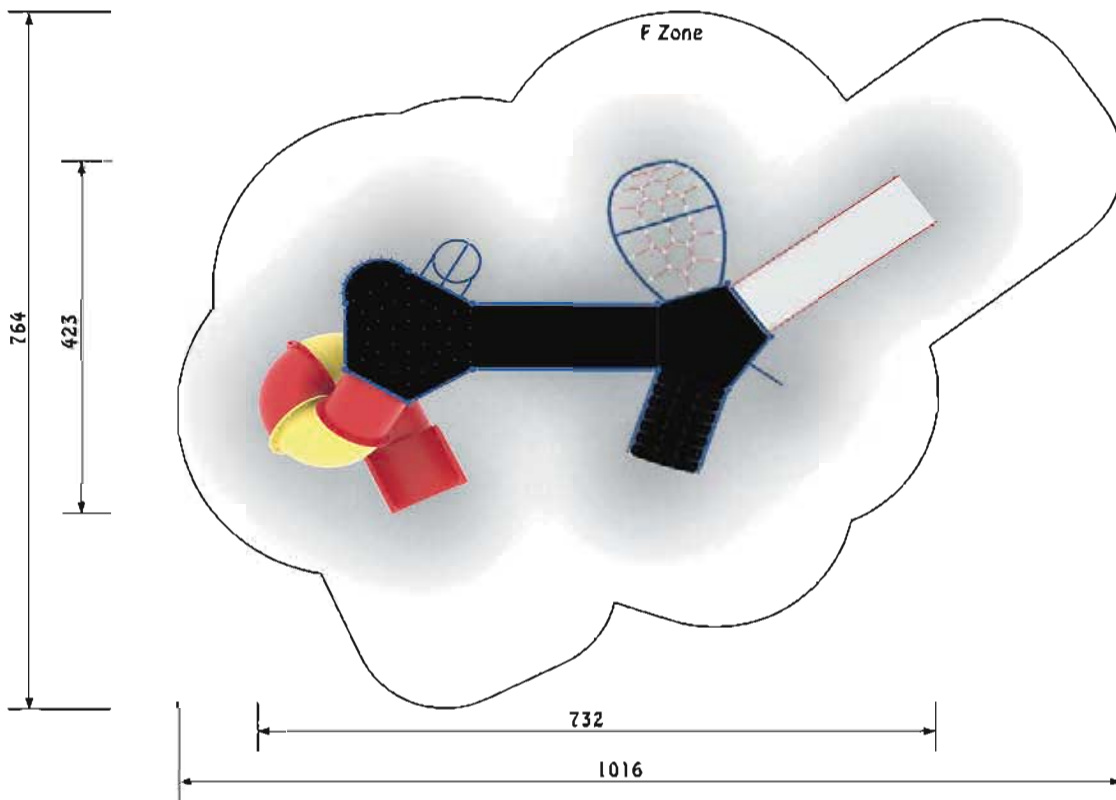
Cassiopeia

metal set



Device easily accessible, no age limit

425607

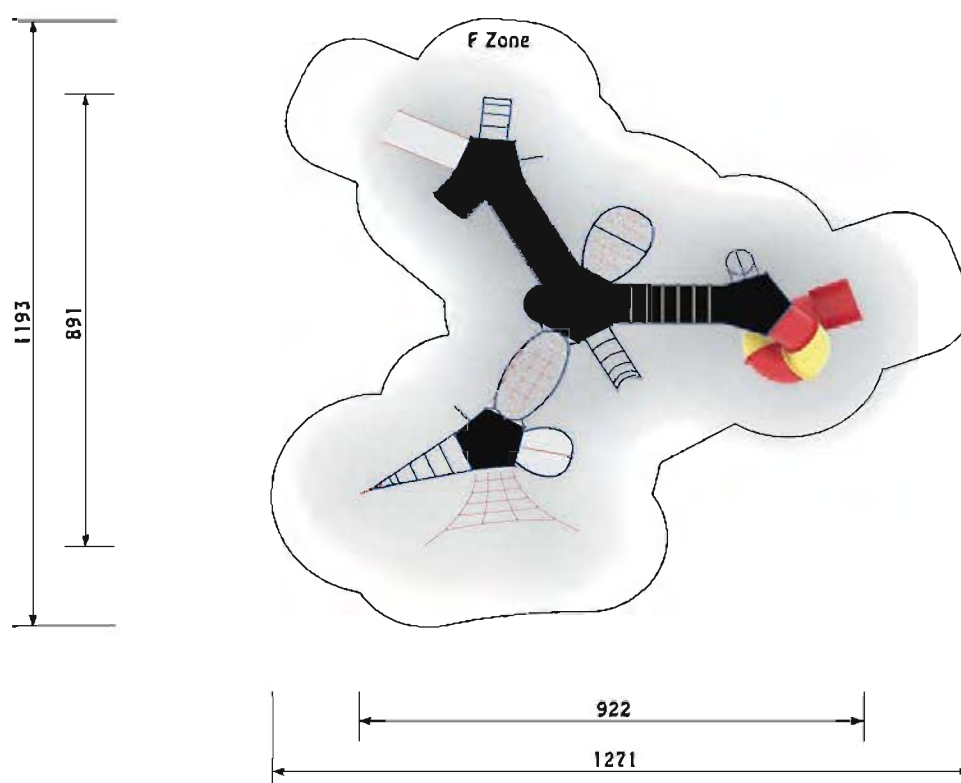
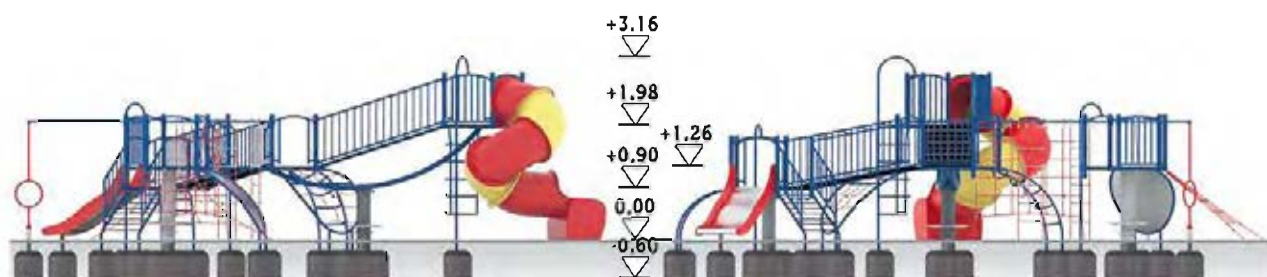


Free zone	50,73 m ²
Minimum space	1016 cm / 764 cm
Maximum set dimension	732 cm / 423 cm / 316 cm (height)
Weight	1200 kg
Surfacing: sand, gravel, bark, synthetic	
Free height of fall	198 cm

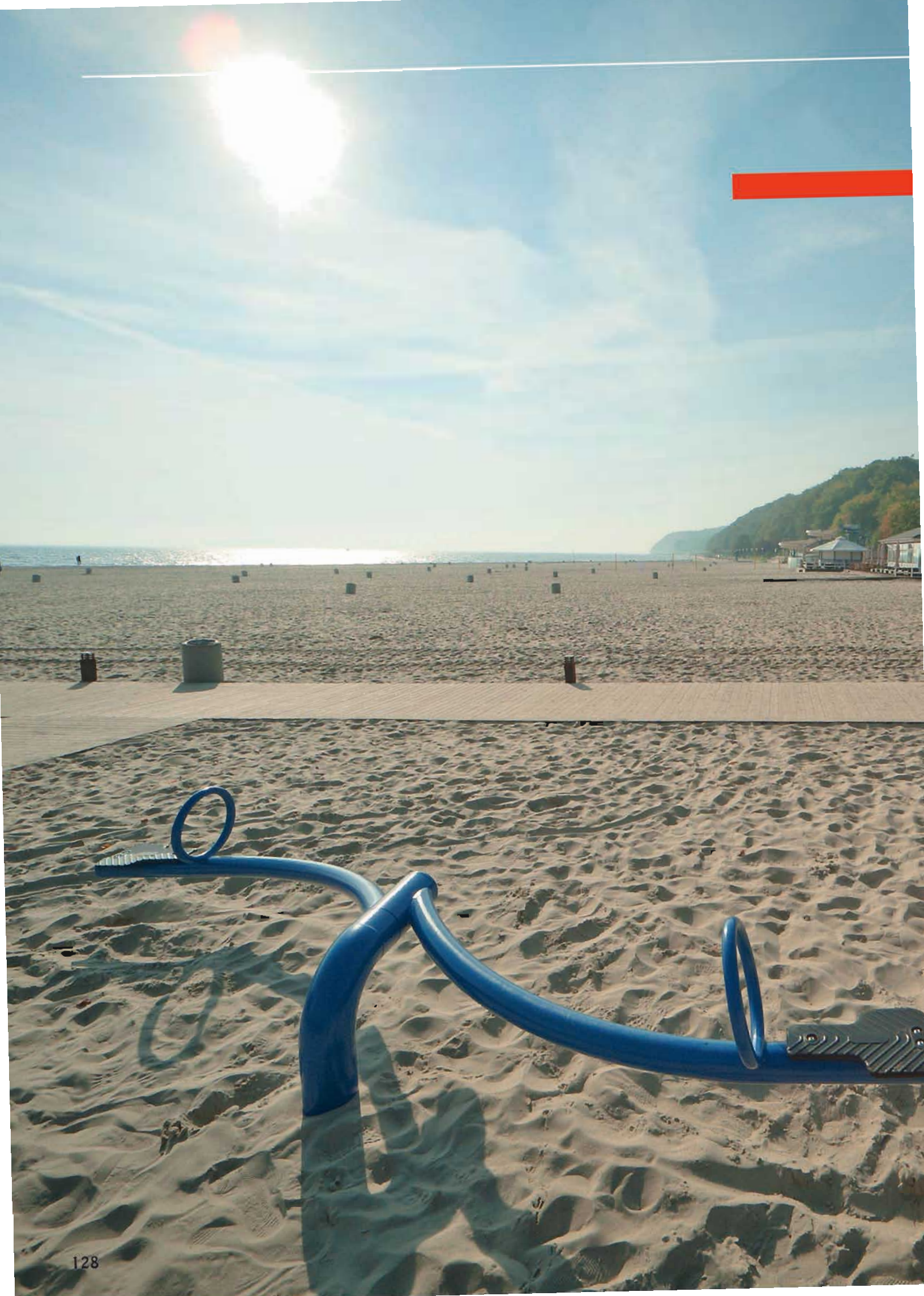
Scorpius

metal set





Free zone	91 m ²
Minimum space	1271 cm / 1193 cm
Maximum set dimension	922 cm / 891 cm / 316 cm (height)
Weight	2000 kg
Surfacing: sand, gravel, bark, synthetic	
Free height of fall	198 cm



Swings

Wooden swings

p.130

10040	Single swing Toddler with wooden legs	p. 130
10019	Double swing Toddler with wooden legs	p. 131
30030	Single swing Pendulum with wooden legs	p. 132
30017	Double swing Pandulum with wooden legs	p. 133
10031	Stork's nest swing with wooden legs	p. 134
10018	Dragonfly seesaw with wooden balk	p. 135

Metal swings with square cross - section

p.136

10040_M	Single swing Toddler with metal legs	p. 136
10019_M	Double swing Toddler with metal legs	p. 137
30030_M	Single swing Pendulum with metal legs	p. 138
30017_M	Double swing Pandulum with metal legs	p. 139
10031_M	Stork's nest swing with metal legs	p. 140
10018_M	Dragonfly seesaw with a metal balk	p. 141

Metal swings with round cross - section

p.142

1601-B	Single metal swing Toddler	p. 142
1602-B	Double metal swing Toddler	p. 143
1601-S	Single metal swing Pandulum	p. 144
1602-S	Double metal swing Pandulum	p. 145
1615	Stork's nest metal swing	p. 146
1652	Snake swing, metal	p. 147
1654	Crab swing, metal	p. 148
1656	Octopus swing, metal	p. 149
1642	Mantis swing, metal	p. 150

Springers

p.151

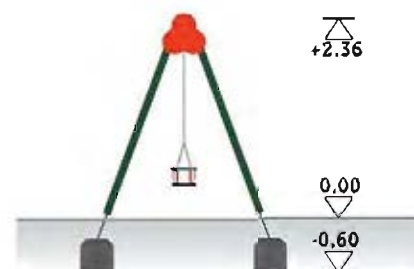
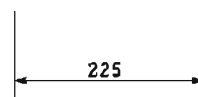
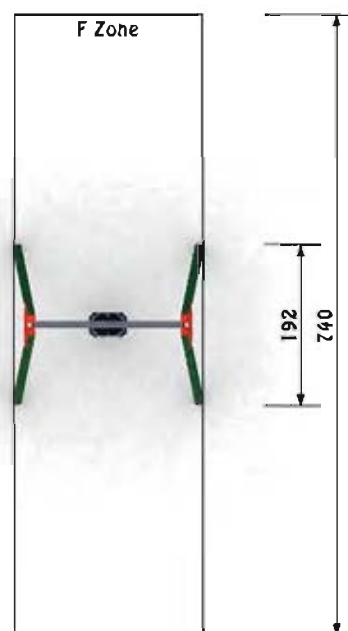
10051	Swing on a spring Horse	p. 151
10052	Swing on a spring Koala	p. 151
10053	Swing on a spring Hippo	p. 151
10054	Swing on a spring Cow	p. 152
10055	Swing on a spring Piglet	p. 152
2050	Swing on a spring Scoter	p. 153
3230	Swing on a spring Car	p. 153
F011	Swing on a spring Cabriole	p. 153
F014	Swing on a spring Dog	p. 153
8020	Swing on a spring Tandem Cock	p. 154
Ft14	Swing on a spring Tandem Dog	p. 154
10056	Swing on a spring Tuba	p. 155

Single swing Toddler

with wooden legs

10040

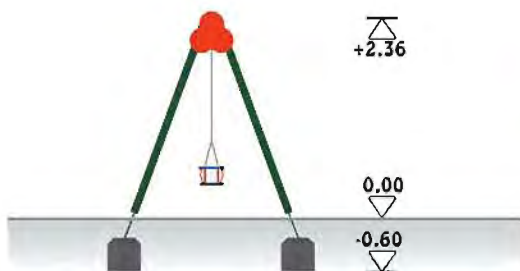
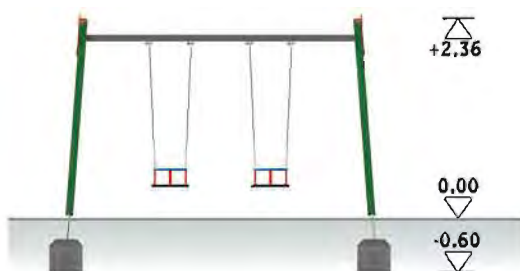
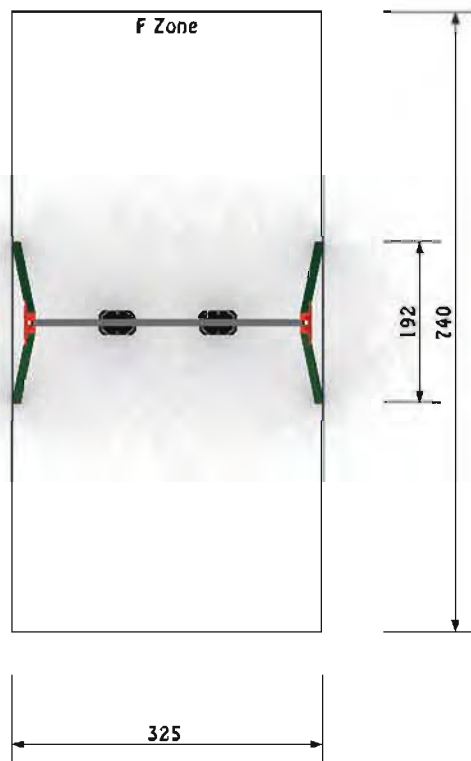
Free zone	16,65 m ²
Minimum space	740 cm / 225 cm
Maximum set dimension	192 / 225 / 236 cm
Weight	110 kg
Surfacing: sand, gravel, bark, synthetic	
Free height of fall	125 cm



10019

Double swing
Toddler
 with wooden legs

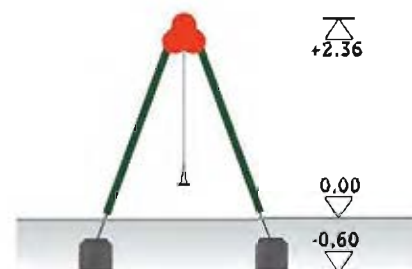
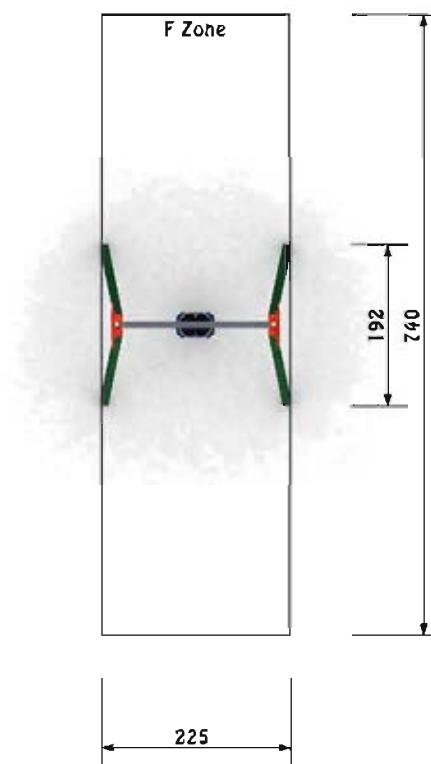
Free zone	24,05 m ²
Minimum space	740 cm / 325 cm
Maximum set dimension	192 / 325 / 236 cm
Weight	130 kg
Surfacing: sand, gravel, bark, synthetic	
Free height of fall	125 cm



Single swing Pendulum with wooden legs

30030

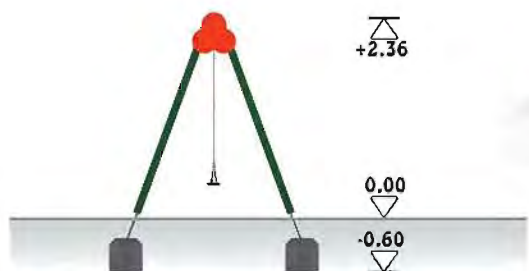
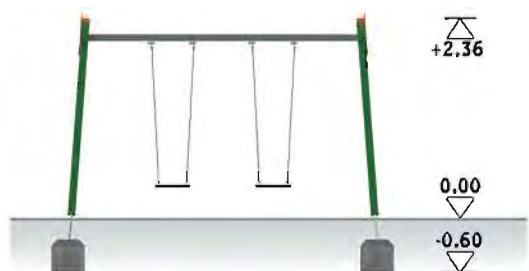
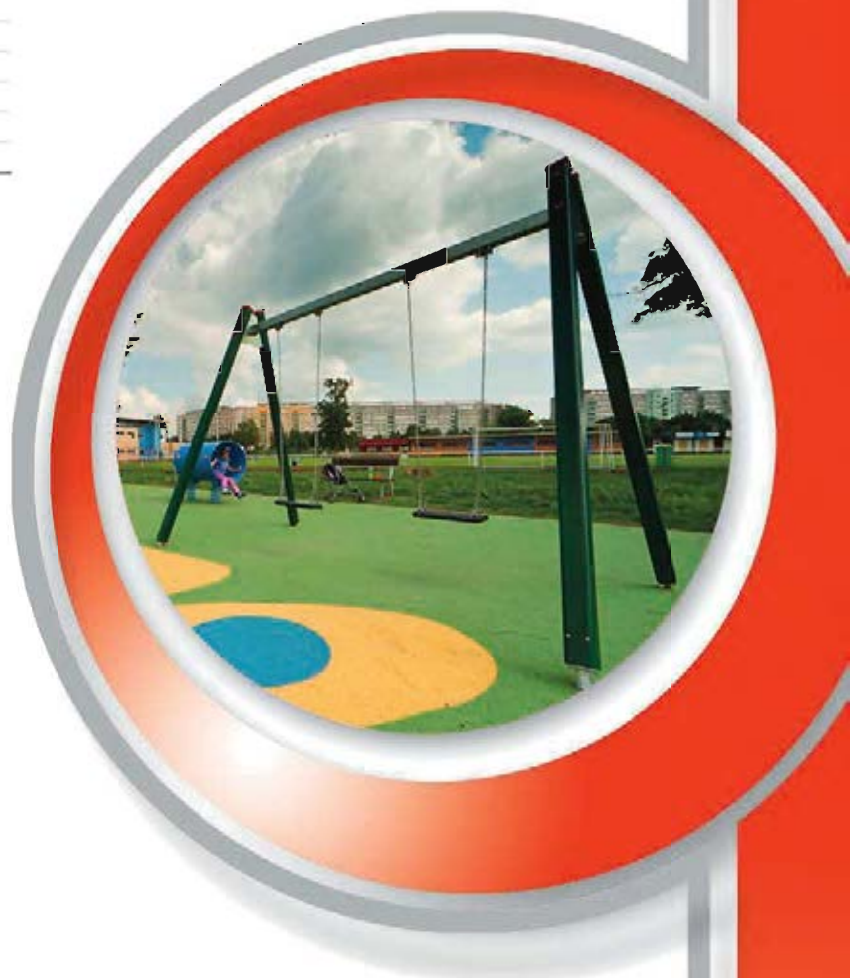
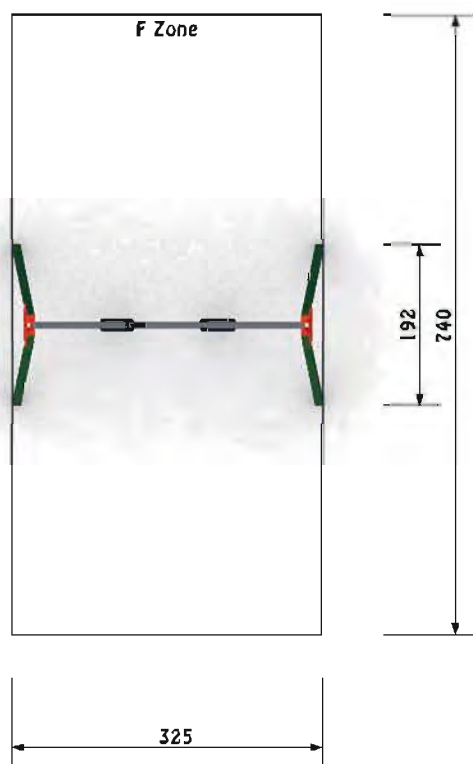
Free zone	16,65 m ²
Minimum space	740 cm / 225 cm
Maximum set dimension	192 / 225 / 236 cm
Weight	110 kg
Surfacing: sand, gravel, bark, synthetic	
Free height of fall	125 cm



30017

Double swing
Pendulum
with wooden legs

Free zone	24,05 m ²
Minimum space	740 cm / 325 cm
Maximum set dimension	192 / 325 / 236 cm
Weight	130 kg
Surfacing: sand, gravel, bark, synthetic	
Free height of fall	125 cm



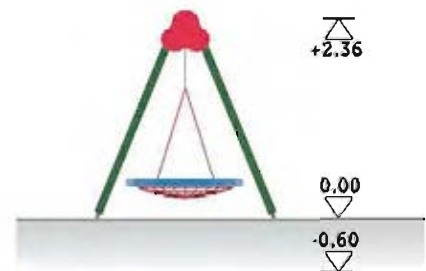
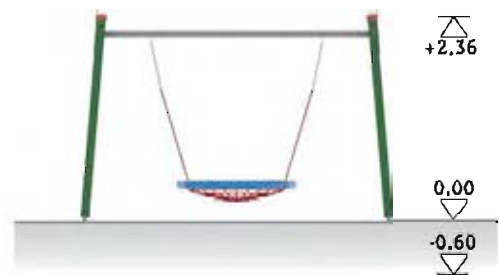
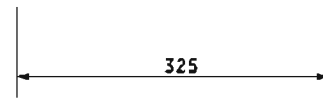
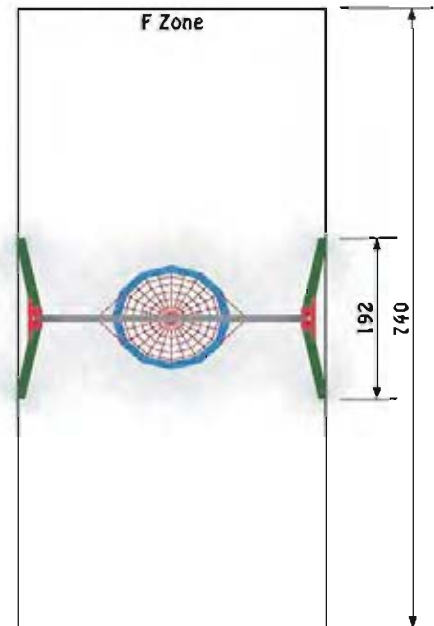
Stork's nest swing

with wooden legs

10031



Free zone	24,05 m ²
Minimum space	740 cm / 325 cm
Maximum set dimension	192 / 325 / 236 cm
Weight	130 kg
Surfacing: sand, gravel, bark, synthetic	
Free height of fall	125 cm

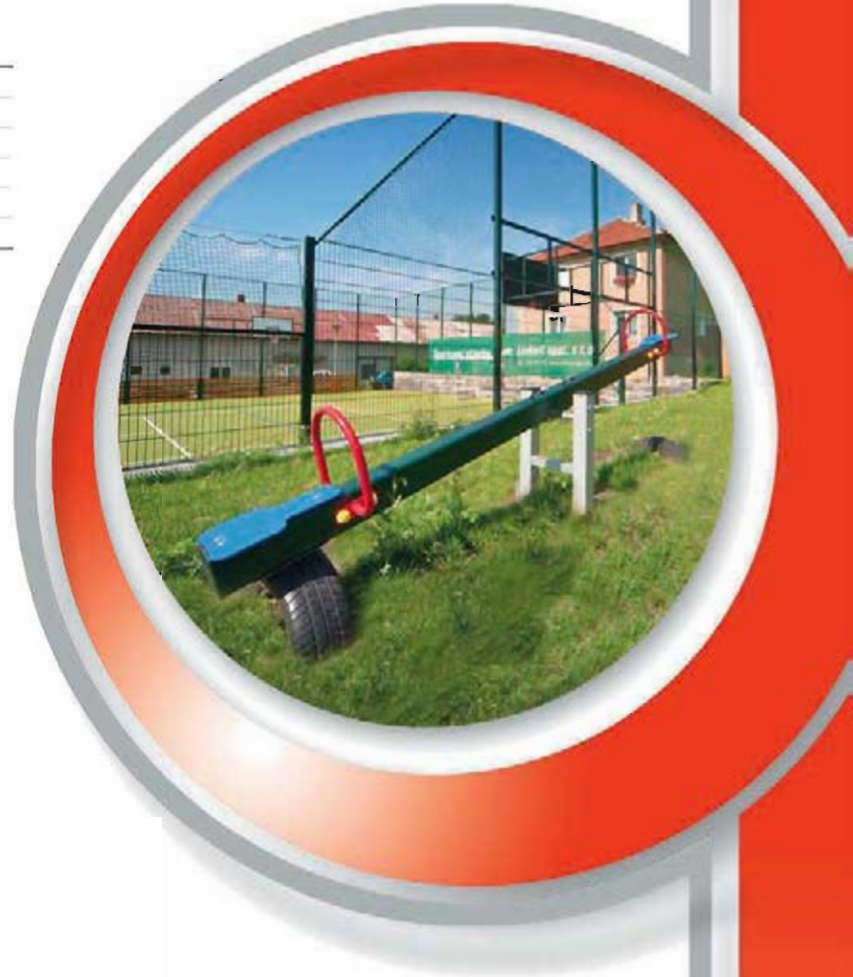
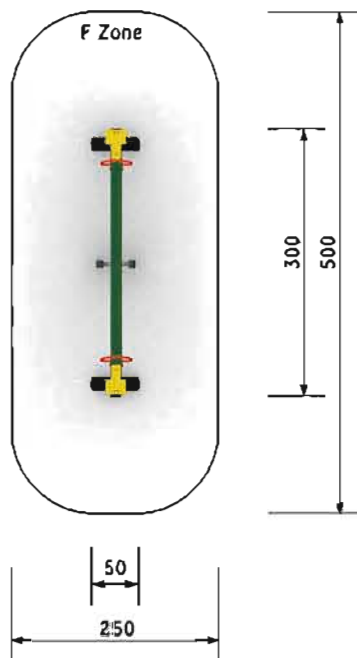


10018

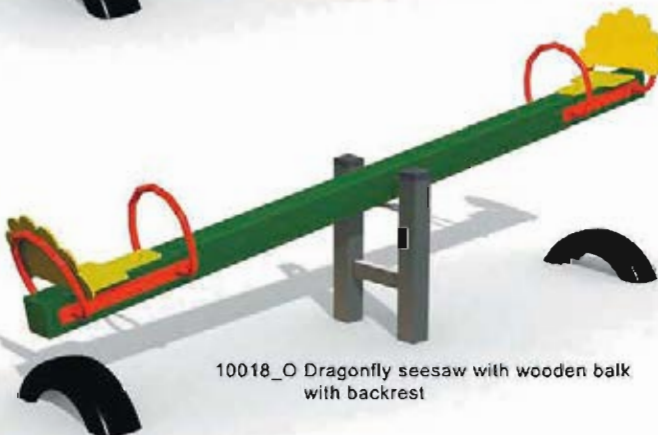
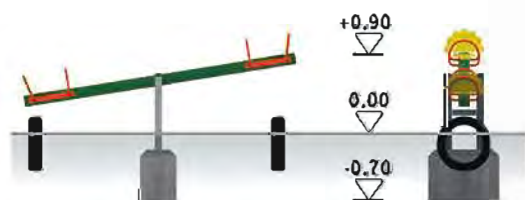
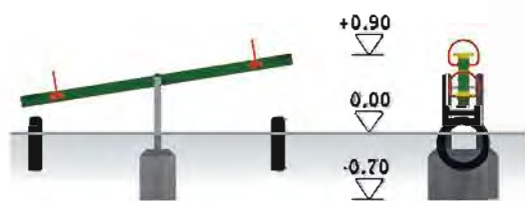
Dragonfly seesaw with wooden balk

Free zone	11,64 m ²
Minimum space	500 cm / 250 cm
Maximum set dimension	300 / 50 / 88 cm
Weight	60 kg
Surfacing: sand, gravel, bark, synthetic	
Free height of fall	90 cm

also available with „Flexi Step“ fenders



Device variants:

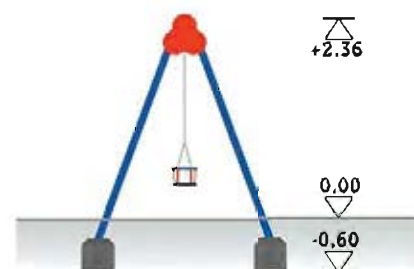
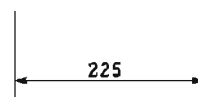
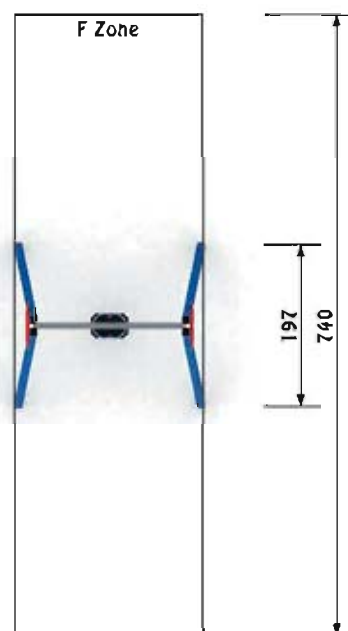


Single swing Toddler

with metal legs

10040_M

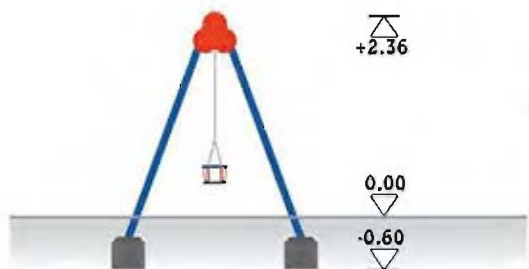
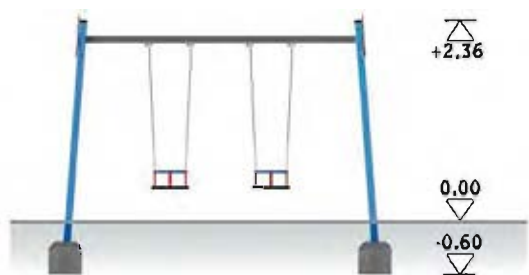
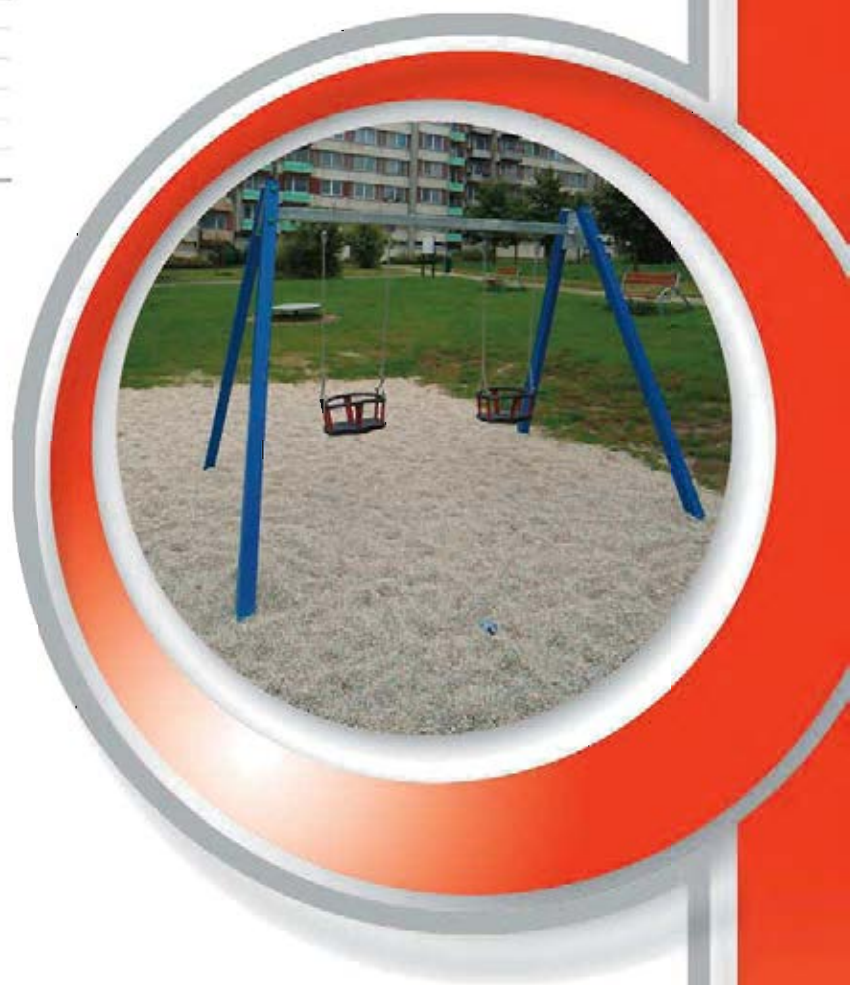
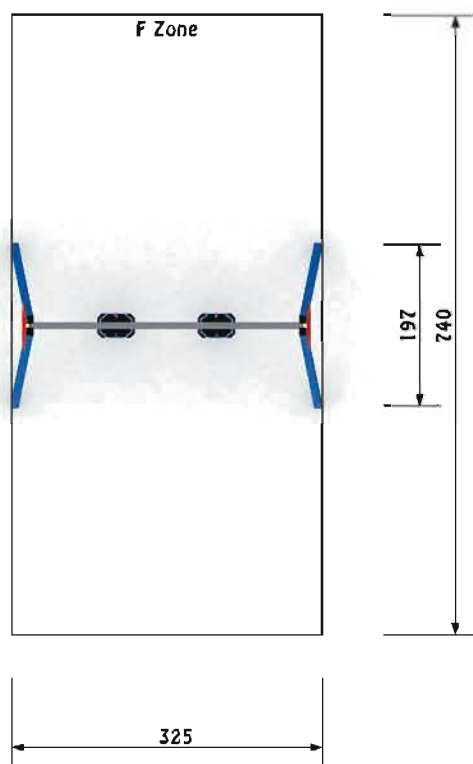
Free zone	16,65 m ²
Minimum space	740 cm / 225 cm
Maximum set dimension	197 / 225 / 236 cm
Weight	110 kg
Surfacing: sand, gravel, bark, synthetic	
Free height of fall	125 cm



10019_M

Double swing Toddler with metal legs

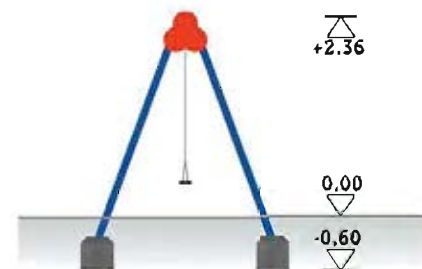
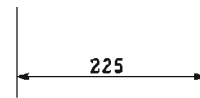
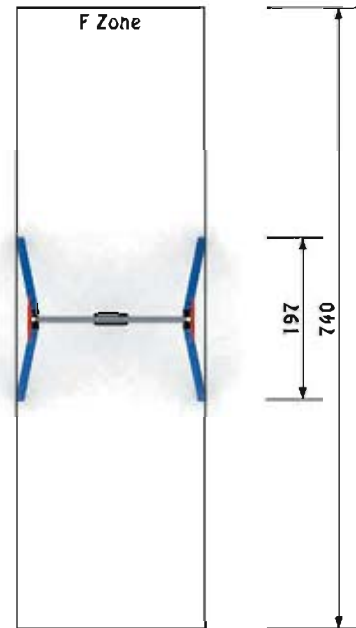
Free zone	24,05 m ²
Minimum space	740 cm / 325 cm
Maximum set dimension	197 / 325 / 236 cm
Weight	130 kg
Surfacing: sand, gravel, bark, synthetic	
Free height of fall	125 cm



Single swing Pendulum with metal legs

30030_M

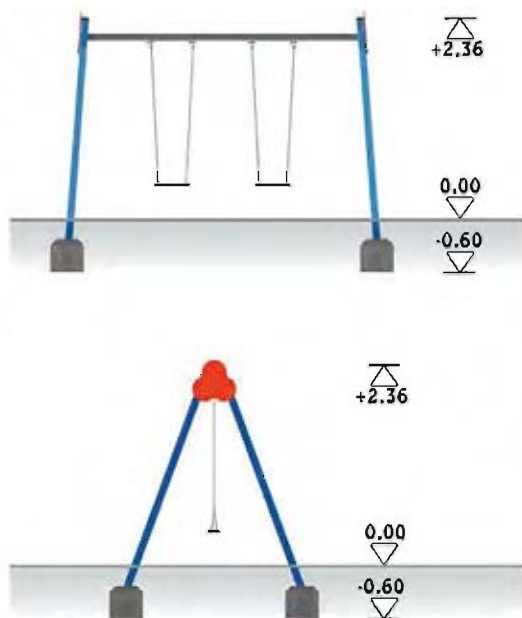
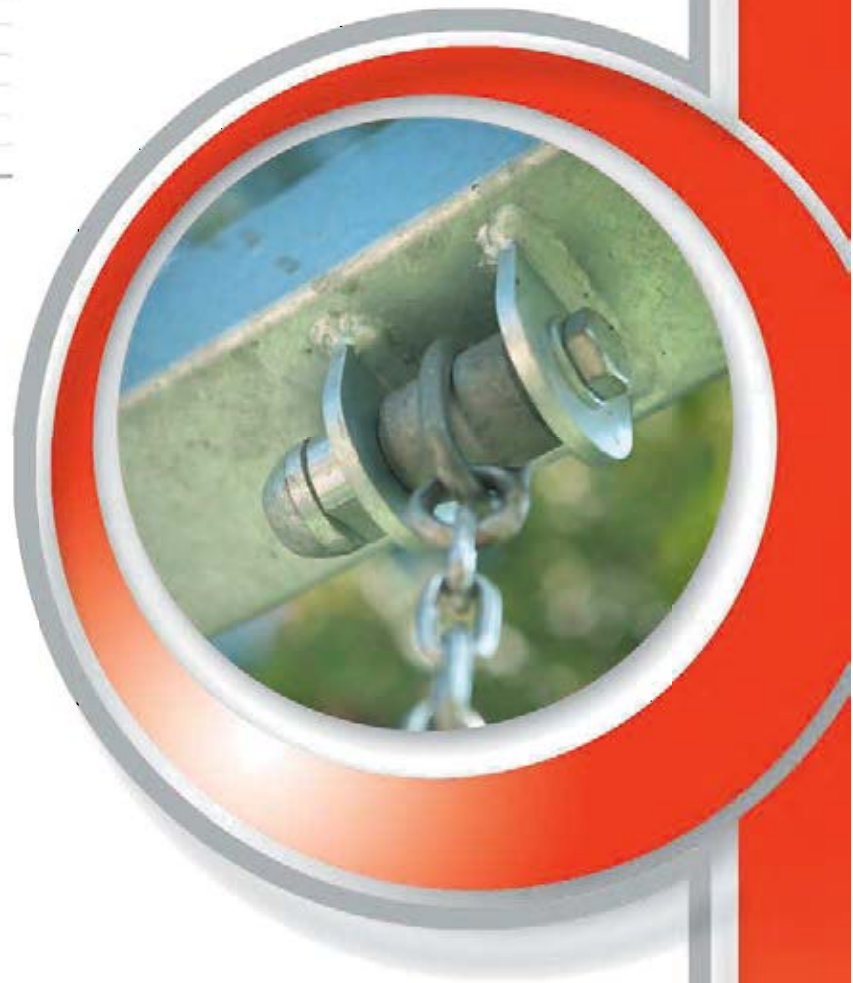
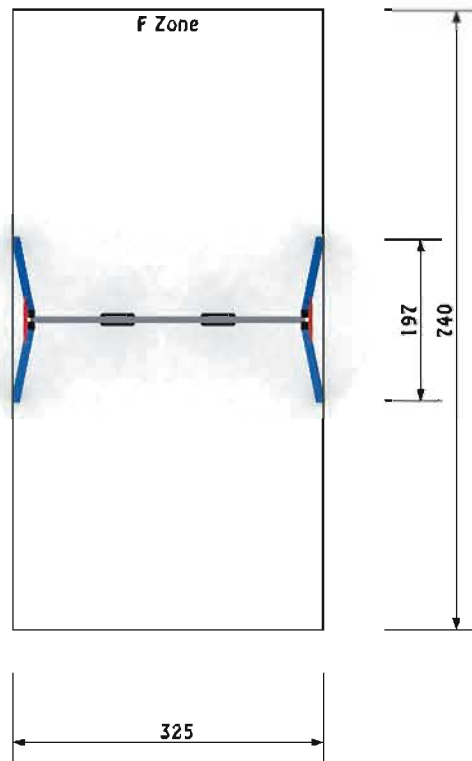
Free zone	16,65 m ²
Minimum space	740 cm / 225 cm
Maximum set dimension	197 / 225 / 236 cm
Weight	110 kg
Surfacing: sand, gravel, bark, synthetic	
Free height of fall	125 cm



30017_M

Double swing Pendulum with metal legs

Free zone	25,04 m ²
Minimum space	740 cm / 325 cm
Maximum set dimension	197 / 325 / 236 cm
Weight	130 kg
Surfacing: sand, gravel, bark, synthetic	
Free height of fall	125 cm

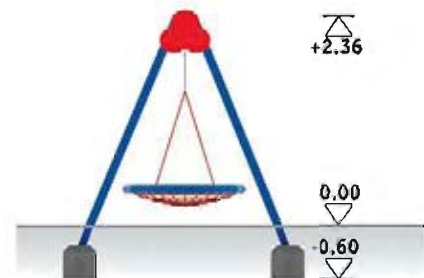
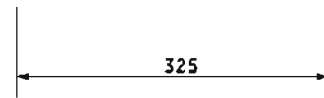
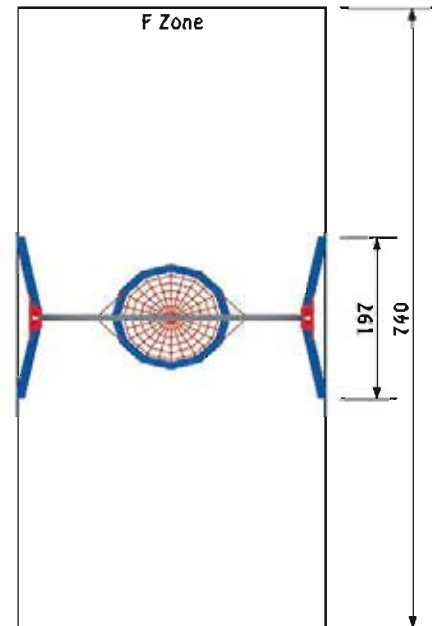


Stork's nest swing

with metal legs

10031_M

Free zone	24,05 m ²
Minimum space	740 cm / 325 cm
Maximum set dimension	197 / 325 / 236 cm
Weight	130 kg
Surfacing: sand, gravel, bark, synthetic	
Free height of fall	125 cm

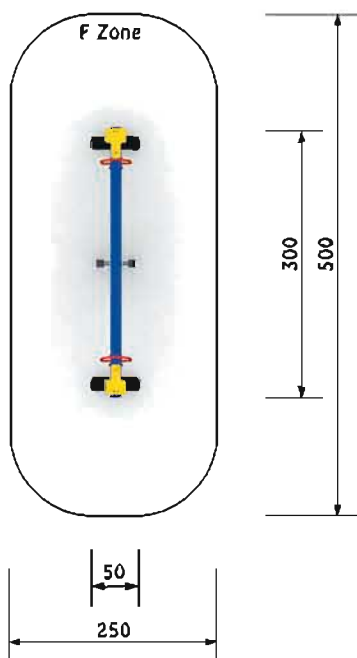


10018_M

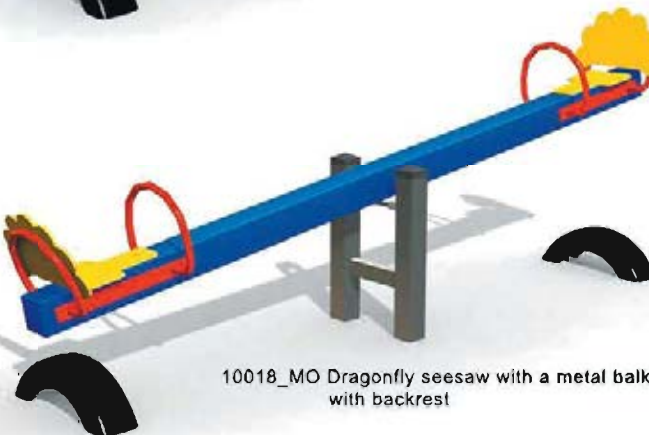
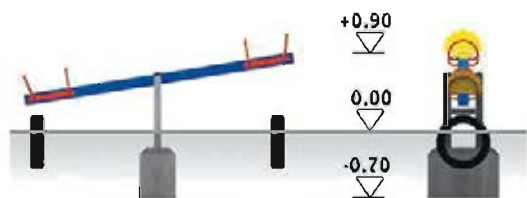
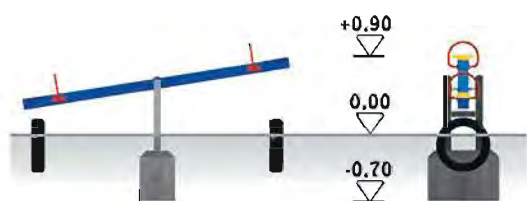
Dragonfly seesaw with a metal balk

Free zone	11,64 m ²
Minimum space	500 cm / 250 cm
Maximum set dimension	300 / 50 / 88 cm
Weight	60 kg
Surfacing: sand, gravel, bark, synthetic	
Wysokość upadkowa	90 cm

also available with „Flexi Step” fenders



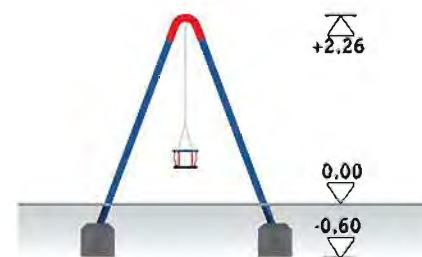
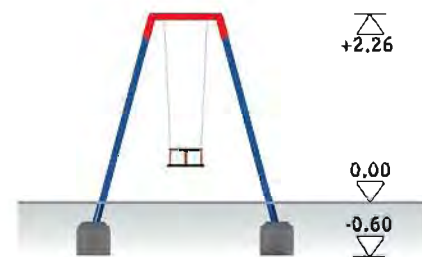
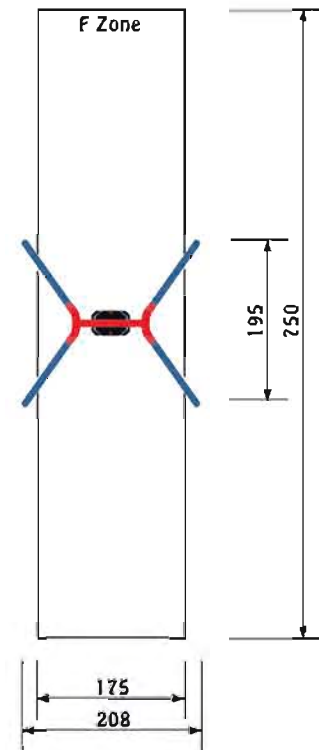
Device variants:



Single metal swing
Toddler

1601-B

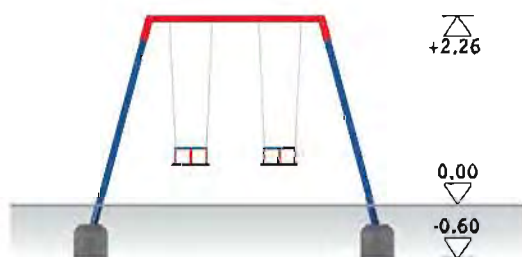
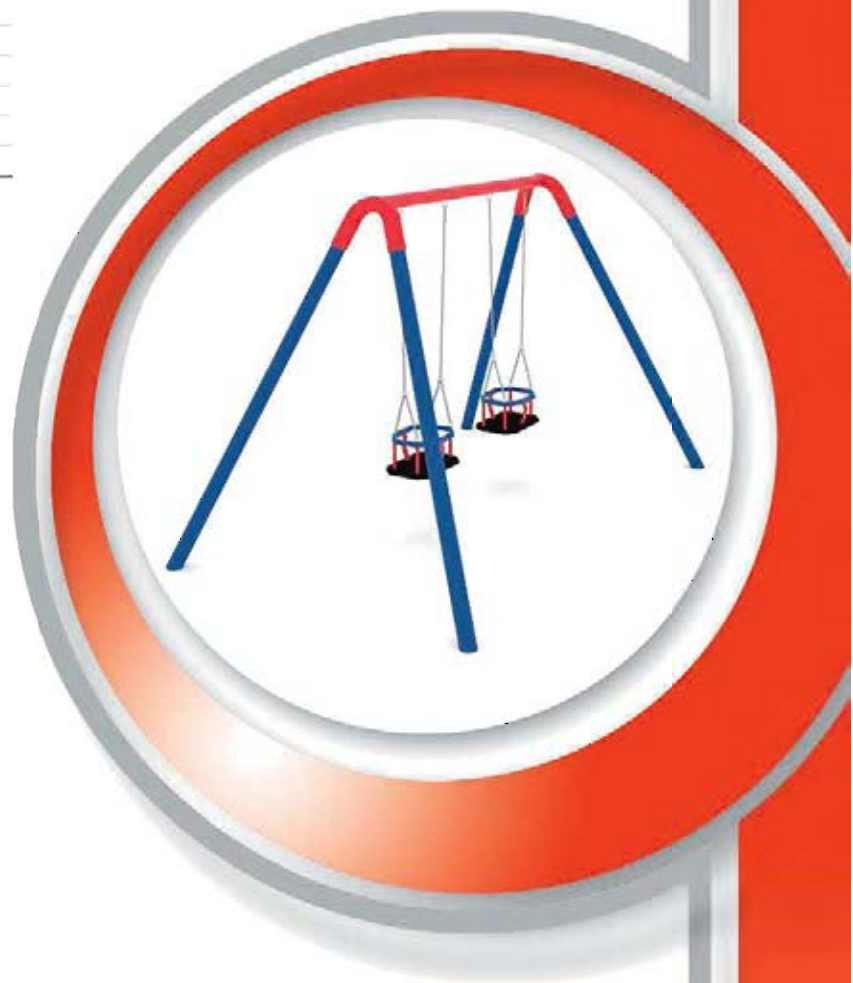
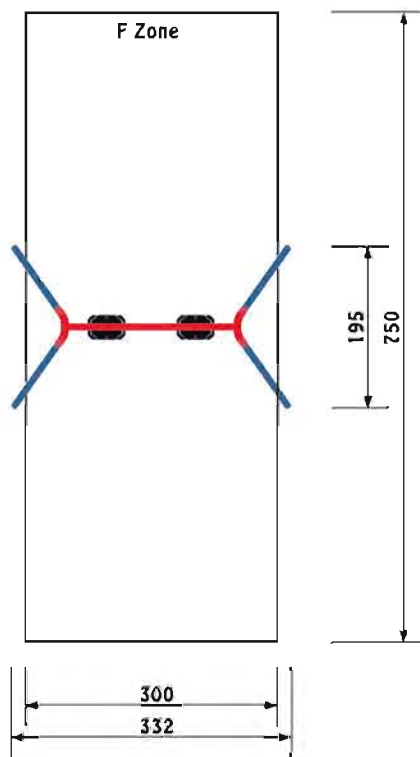
Free zone	13,12 m ²
Minimum space	750 cm / 208 cm
Maximum set dimension	195 / 208 / 226 cm
Weight	110 kg
Surfacing: sand, gravel, bark, synthetic	
Free height of fall	125 cm



1602-B

Double metal swing
Toddler

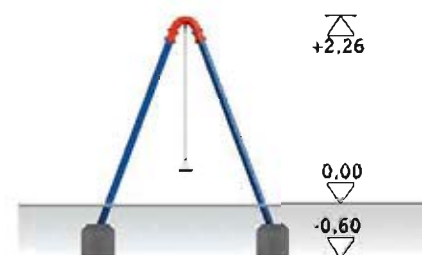
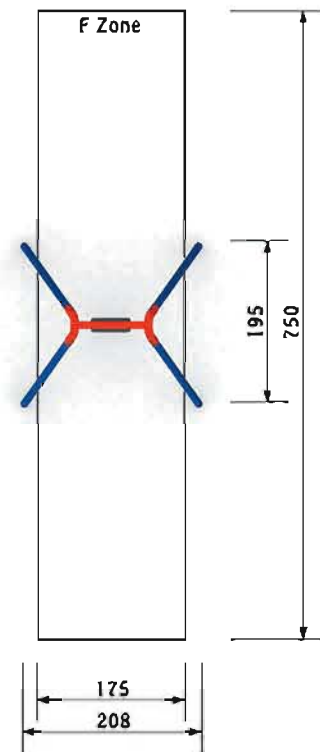
Free zone	22,50 m ²
Minimum space	750 cm / 332 cm
Maximum set dimension	195 / 332 / 226 cm
Weight	120 kg
Surfacing: sand, gravel, bark, synthetic	
Free height of fall	125 cm



Single metal swing
Pandulum

1601-S

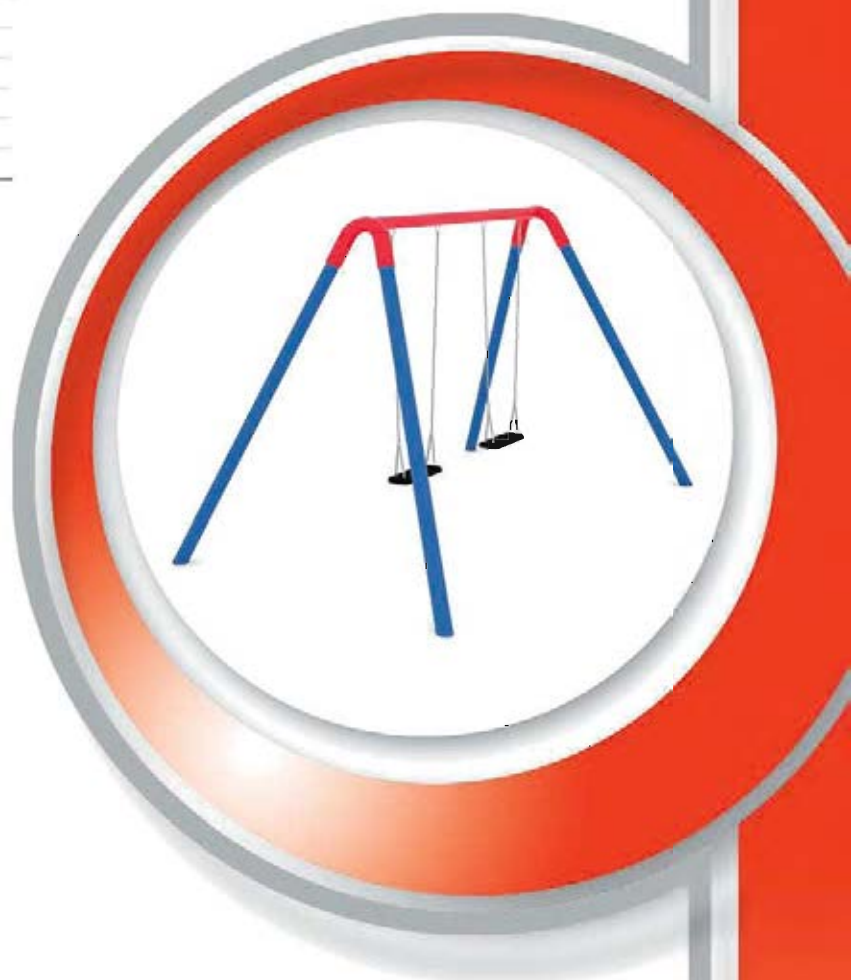
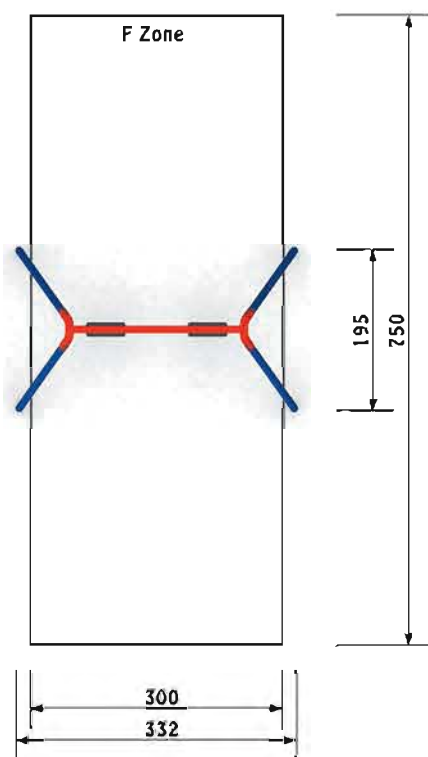
Free zone	13,12 m ²
Minimum space	750 cm / 208 cm
Maximum set dimension	195 / 208 / 226 cm
Weight	110 kg
Surfacing: sand, gravel, bark, synthetic	
Free height of fall	125 cm



1602-S

Double metal swing
Pandulum

Free zone	22,50 m ²
Minimum space	750 cm / 332 cm
Maximum set dimension	195 / 332 / 226 cm
Weight	120 kg
Surfacing: sand, gravel, bark, synthetic	
Free height of fall	125 cm



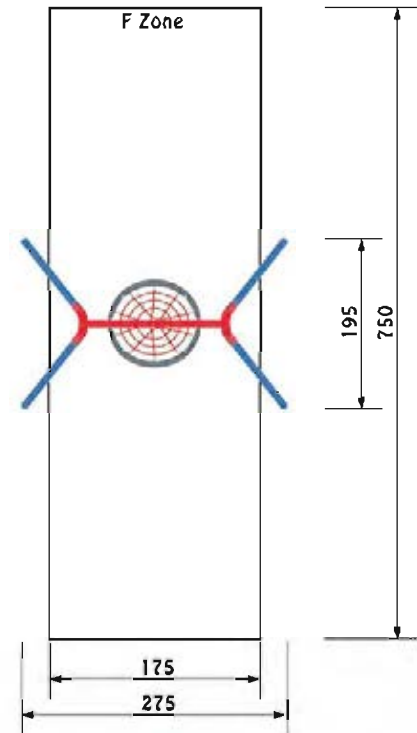
Stork's nest

metal swing

1615



Free zone	13,13 m ²
Minimum space	750 cm / 275 cm
Maximum set dimension	195 / 275 / 230 cm
Weight	130 kg
Surfacing: sand, gravel, bark, synthetic	
Free height of fall	130 cm



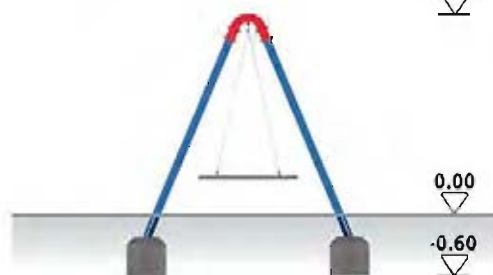
+2,30



0,00

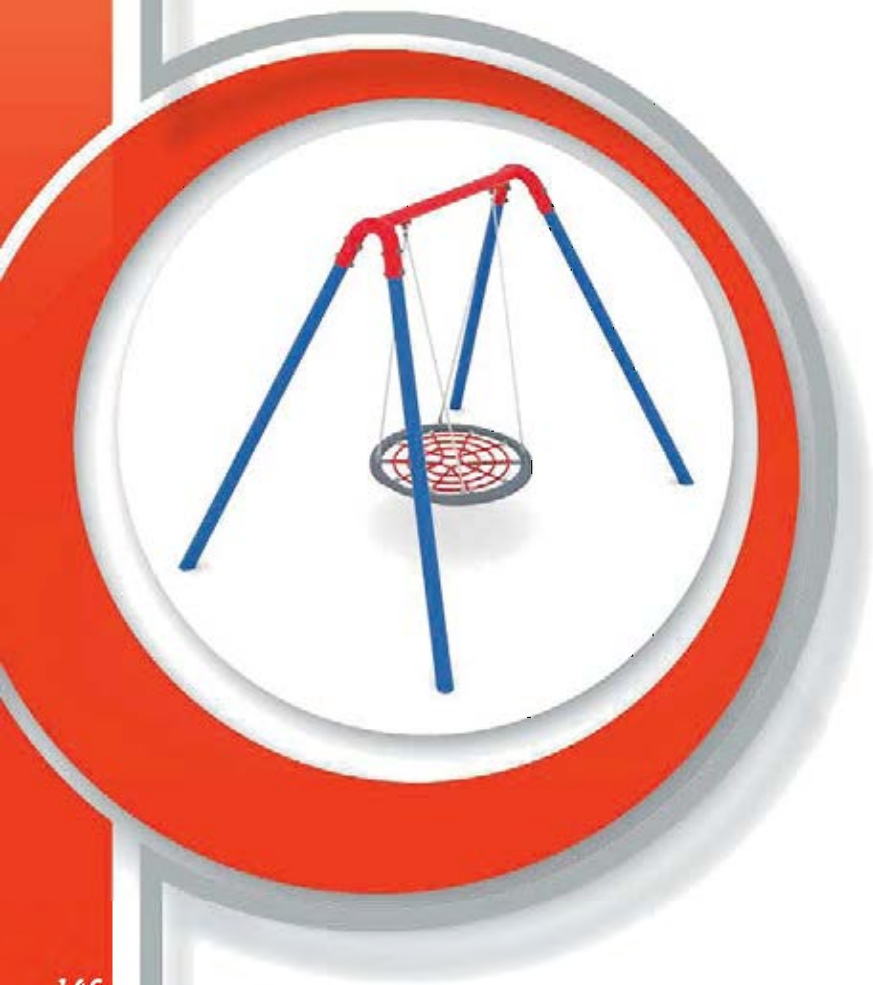
-0,60

+2,30



0,00

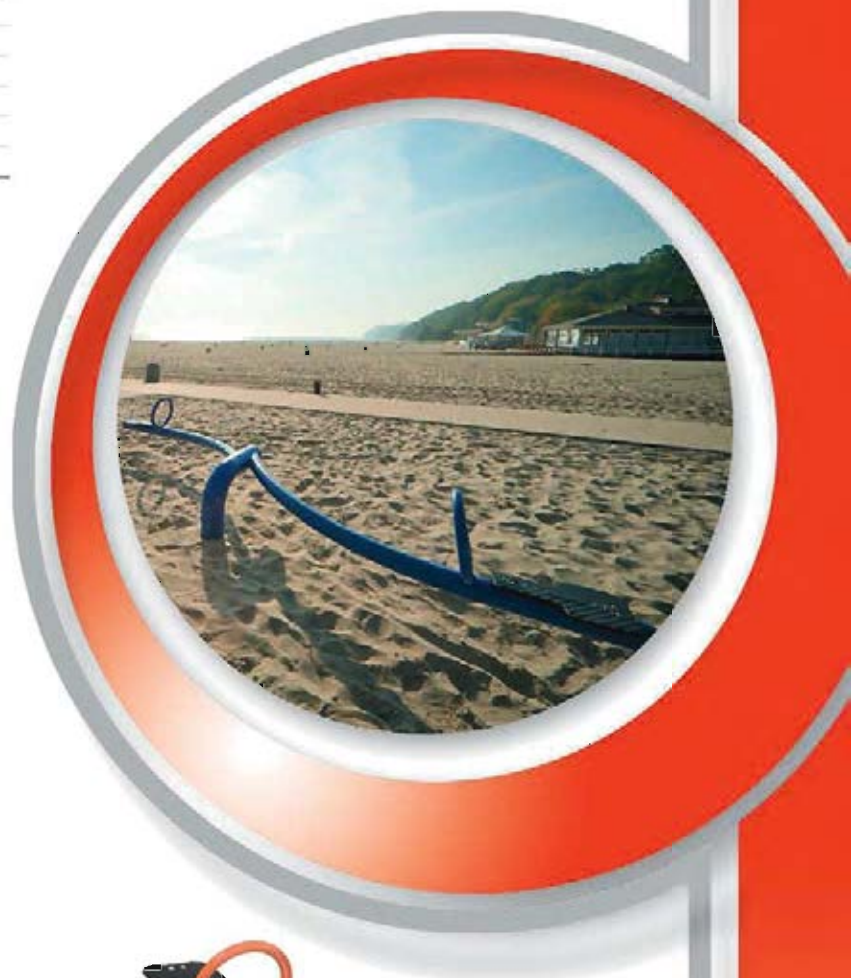
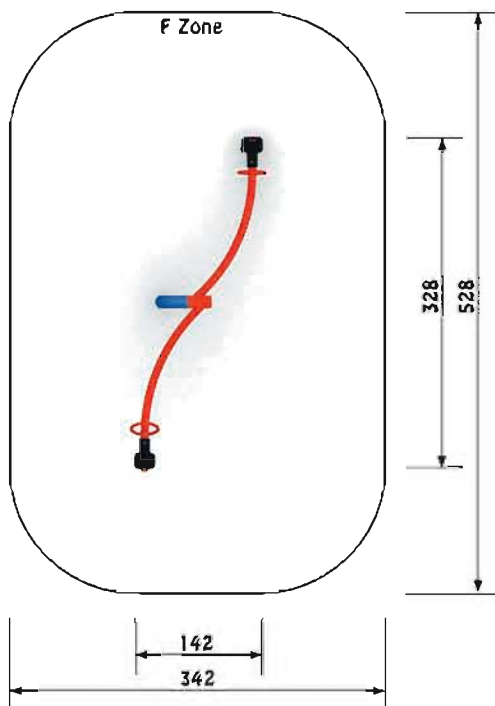
-0,60



1652

Snake swing metal

Free zone	17,20 m ²
Minimum space	342 cm / 528 cm
Maximum set dimension	142 / 328 / 100 cm
Weight	65 kg
Surfacing: sand, gravel, bark, synthetic, grass	
Free height of fall	100 cm

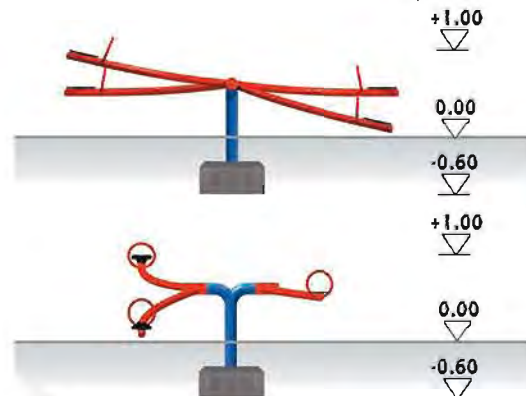
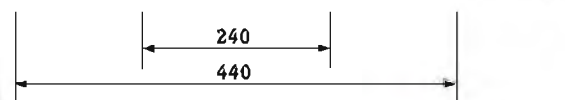
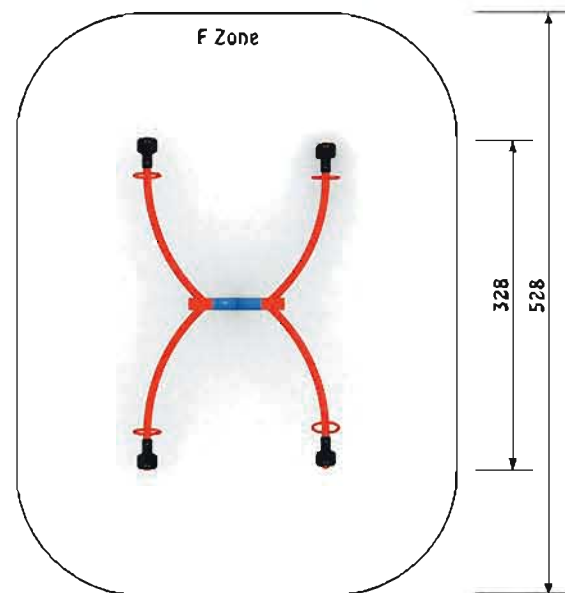


Crab swing

metal

1654

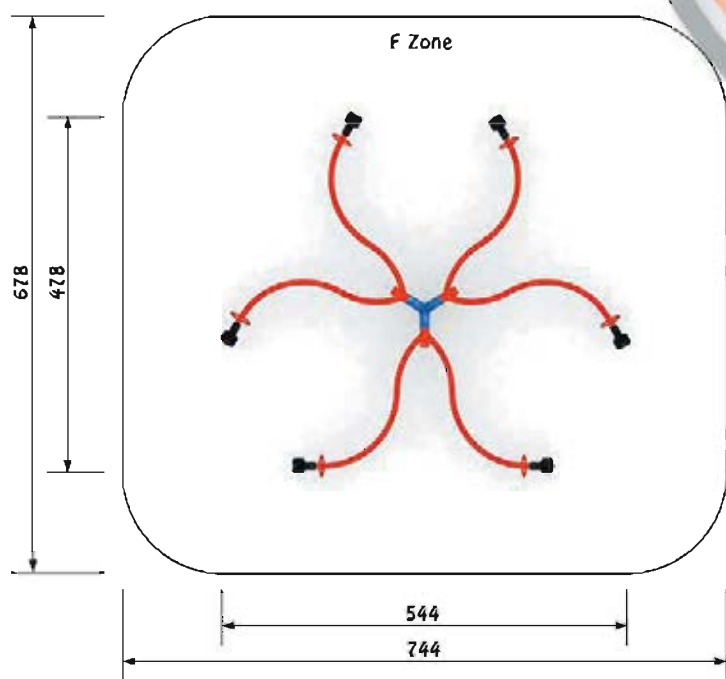
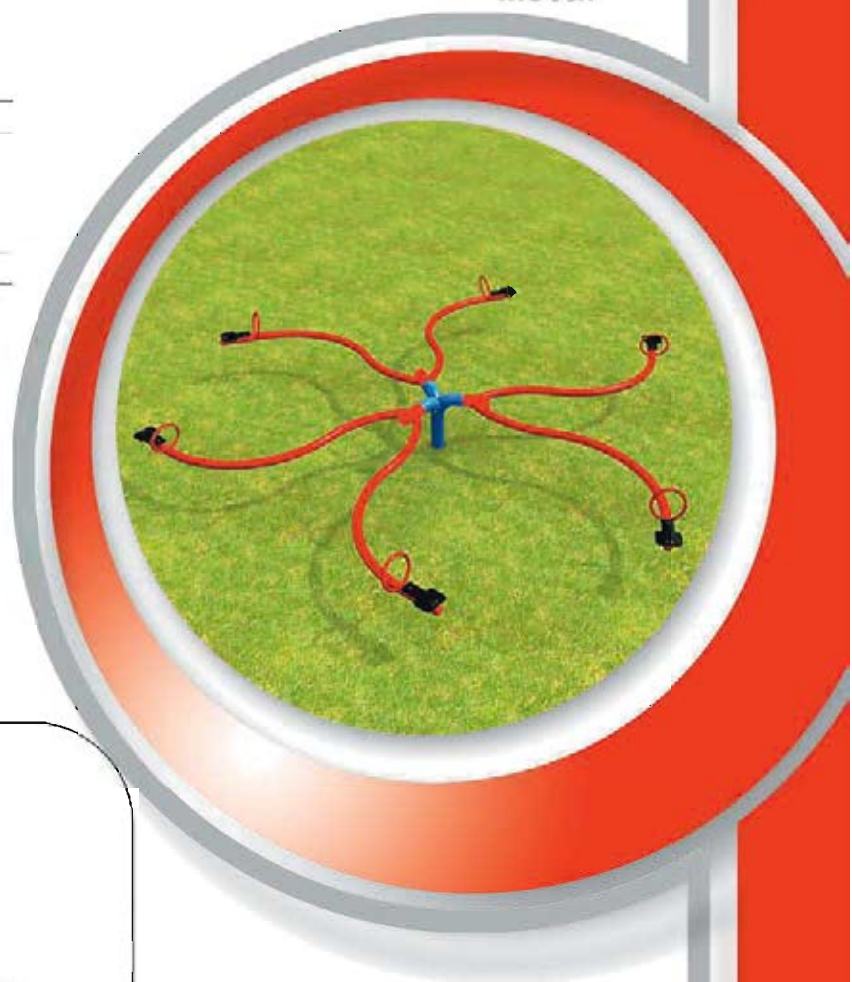
Free zone	22,37 m ²
Minimum space	440 cm / 528 cm
Maximum set dimension	240 / 328 / 100 cm
Waga zestawu	97 kg
Surfacing: sand, gravel, bark, synthetic, grass	
Free height of fall	100 cm



1656

Octopus swing metal

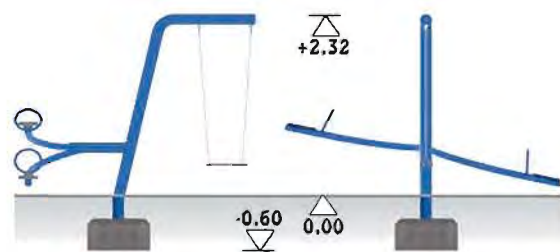
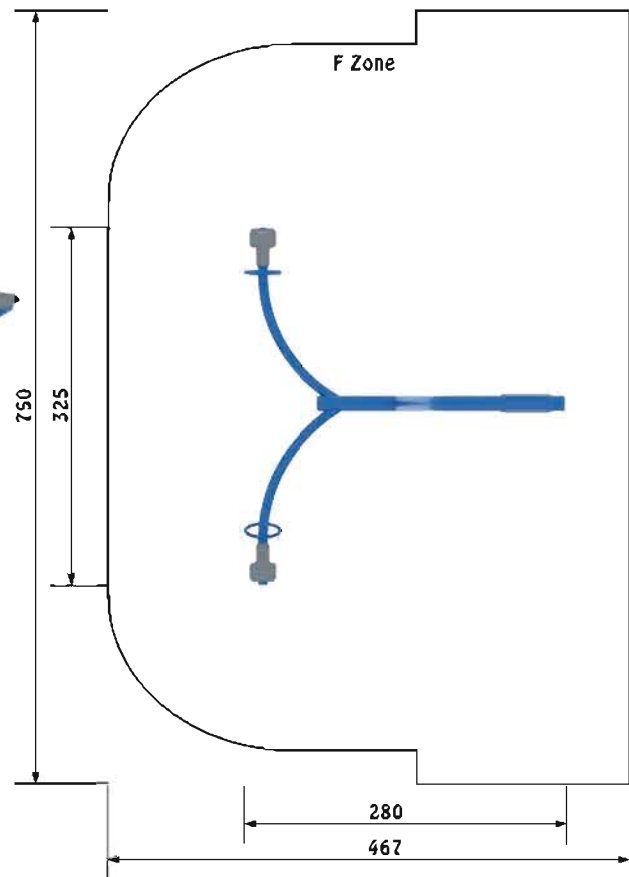
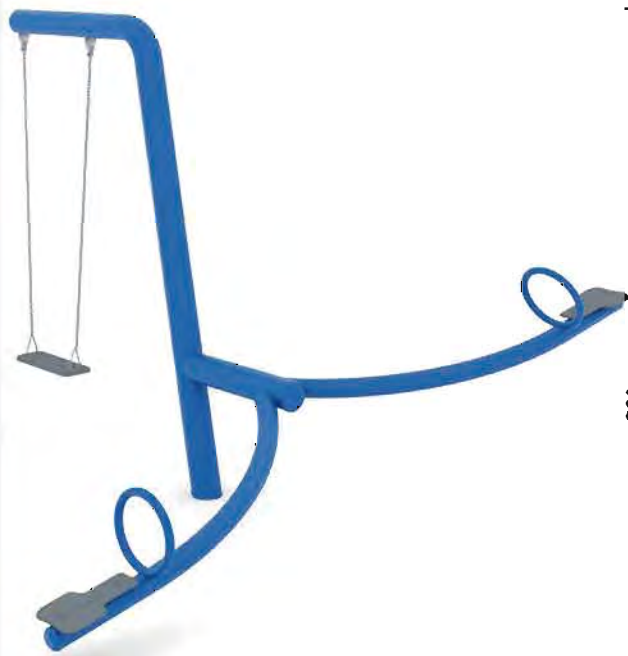
Free zone	49,58 m ²
Minimum space	744 cm / 678 cm
Maximum set dimension	544 / 478 / 100 cm
Waga zestawu	195 kg
Surfacing:	sand, gravel, bark, synthetic, grass
Free height of fall	100 cm



Mantis swing

metal

1642



Free zone	29,45 m ²
Minimum space	750 cm / 467 cm
Maximum set dimension	325 / 280 / 232 cm
Weight	85 kg
Surfacing:	sand, gravel, bark, synthetic
Free height of fall	127 cm

Springers



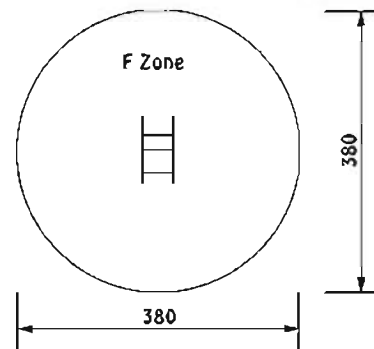
10051 Horse



10052 Koala



10053 Hippo

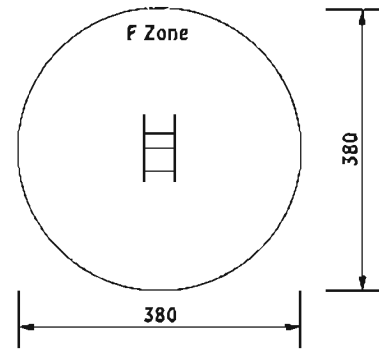


Free zone	11,34 m ²
Minimum space	380 cm / 380 cm
Maximum set dimension	80 cm / 80 cm
Weight	30 kg
Surfacing: sand, gravel, bark, synthetic, grass	
Free height of fall	45 cm

Springers



10054 Cow



10055 Piglet



Free zone	11,34 m ²
Minimum space	380 cm / 380 cm
Maximum set dimension	80 cm / 80 cm
Weight	30 kg
Surlacing:	sand, gravel, bark, synthetic, grass
Free height of fall	45 cm

Springers



2050 Scooter



3230 Car



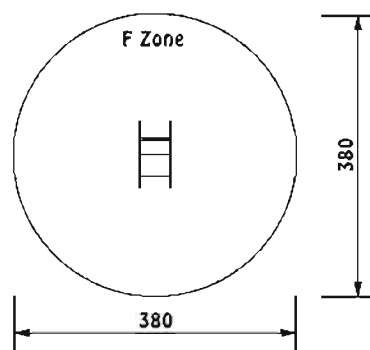
F014 Dog



F011 Cabriolet



Free zone	11,34 m ²
Minimum space	380 cm / 380 cm
Maximum set dimension	80 cm / 80 cm
Weight	30 kg
Surfacing: sand, gravel, bark, synthetic, grass	
Free height of fall	45 cm

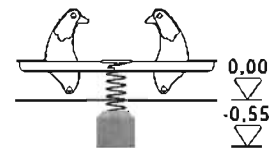
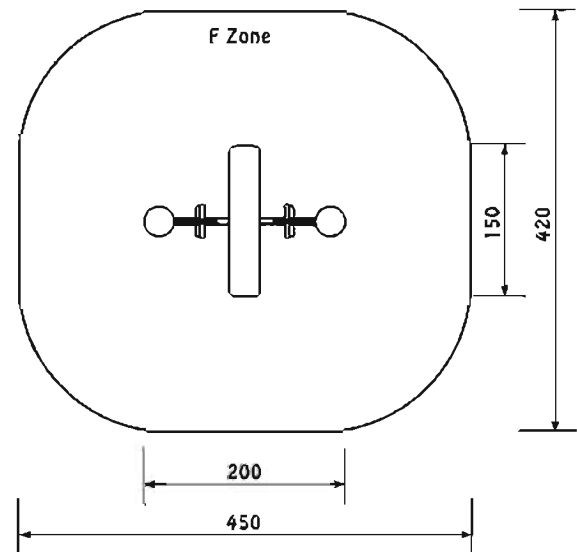


Springers



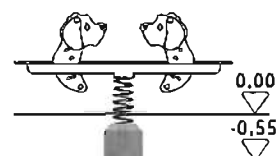
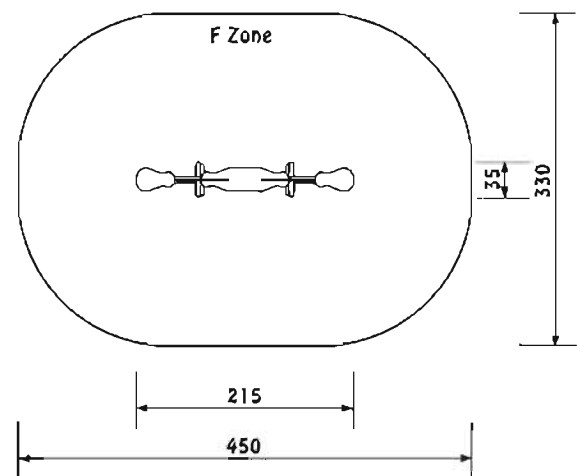
8020 Tandem Cock

Free zone	16,97 m ²
Minimum space	450 cm / 420 cm
Maximum set dimension	200 cm / 150 cm
Weight	30 kg
Surfacing: sand, gravel, bark, synthetic, grass	
Free height of fall	45 cm



Ft14 Tandem Dog

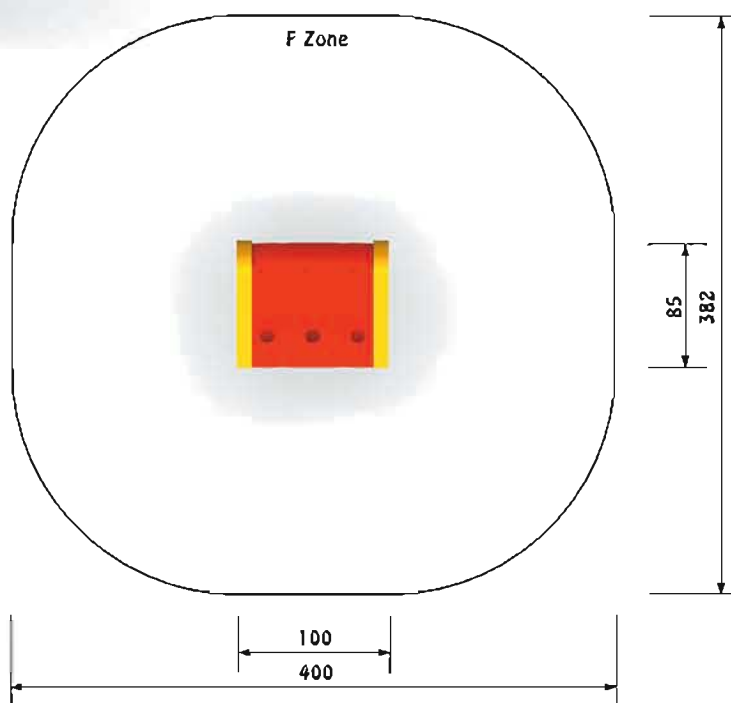
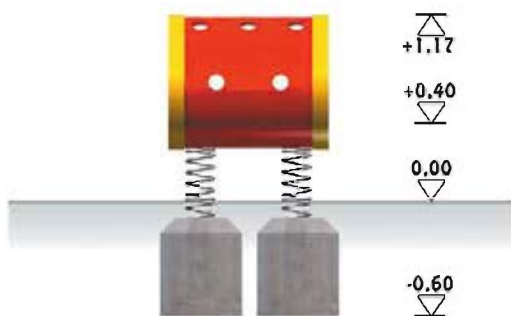
Free zone	12,92 m ²
Minimum space	450 cm / 330 cm
Maximum set dimension	215 cm / 35 cm
Weight	30 kg
Surfacing: sand, gravel, bark, synthetic, grass	
Free height of fall	45 cm



9008

Springer TUBE

Free zone	13,35 m ²
Minimum space	400 cm / 382 cm
Maximum set dimension	100 / 85 / 117 cm
Weight	60 kg
Surfacing: sand, gravel, bark, synthetic, grass	
Free height of fall	40 cm







Sandboxes

Wooden sandboxes

p.158

10013	Square Plywood sandbox, side 1,2 m	p. 158
10014	Square Plywood sandbox, side 2,4m	p. 159
10015	Hexagon Plywood sandbox, side 1,2m	p. 160
10016	Hexagon Plywood sandbox, side 2,4m	p. 161
10026	Square sandbox, side 1,8m	p. 162
10028	Hexagon sandbox, side 1,8m	p. 163
10046	Closed sandbox	p. 164
10047	House with sandbox	p. 165
10017	Hexagon plywood sandbox with awning	p. 166

Concrete sandboxes

p.167

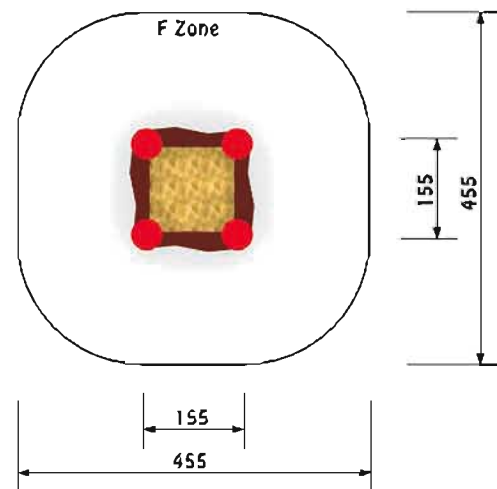
910	Concrete integration sandbox	p. 167
10048	Concrete Square sandbox	p. 168
10050	Concrete Round sandbox	p. 169

Square Plywood sandbox

10013

side 1,2 m

Free zone	18,70 m ²
Minimum space	455 cm / 455 cm
Maximum set dimension	155 / 155 / 40 cm
Weight	160 kg
Surfacing: sand, gravel, bark, grass	
Free height of fall	40 cm

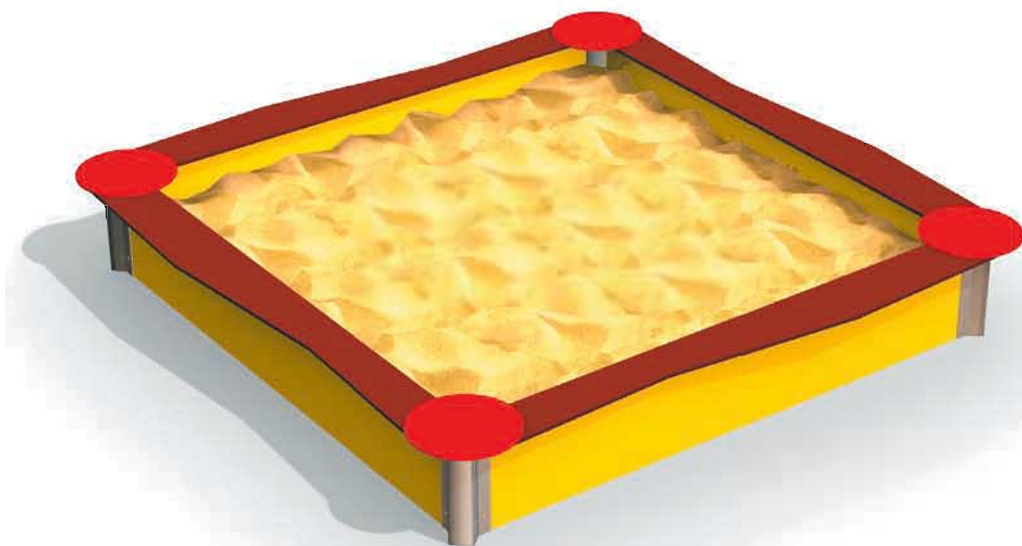
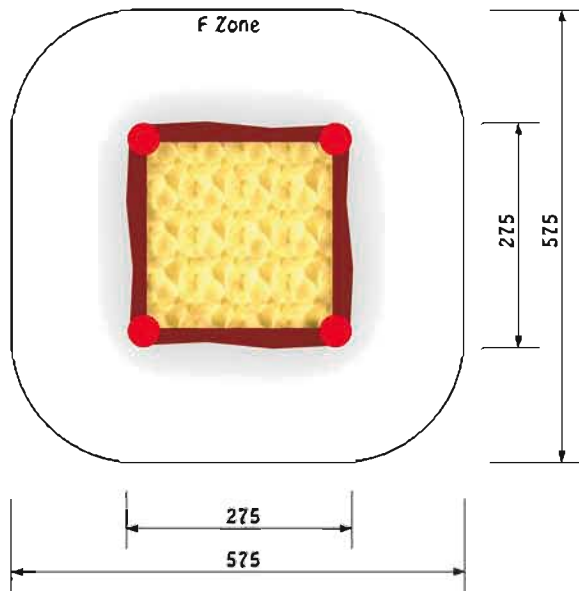


10014

Square Plywood sandbox

side 2,4 m

Free zone	31,00 m ²
Minimum space	575 cm / 575 cm
Maximum set dimension	275 / 275 / 40 cm
Weight	190 kg
Surfacing: sand, gravel, bark, grass	
Free height of fall	40 cm

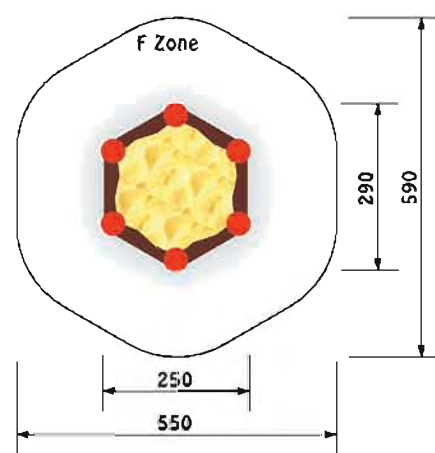


Hexagon Plywood sandbox

10015

side 1,2 m

Free zone	25,90 m ²
Minimum space	590 cm / 550 cm
Maximum set dimension	290 / 250 / 40 cm
Weight	200 kg
Surfacing: sand, gravel, bark, grass	
Free height of fall	40 cm

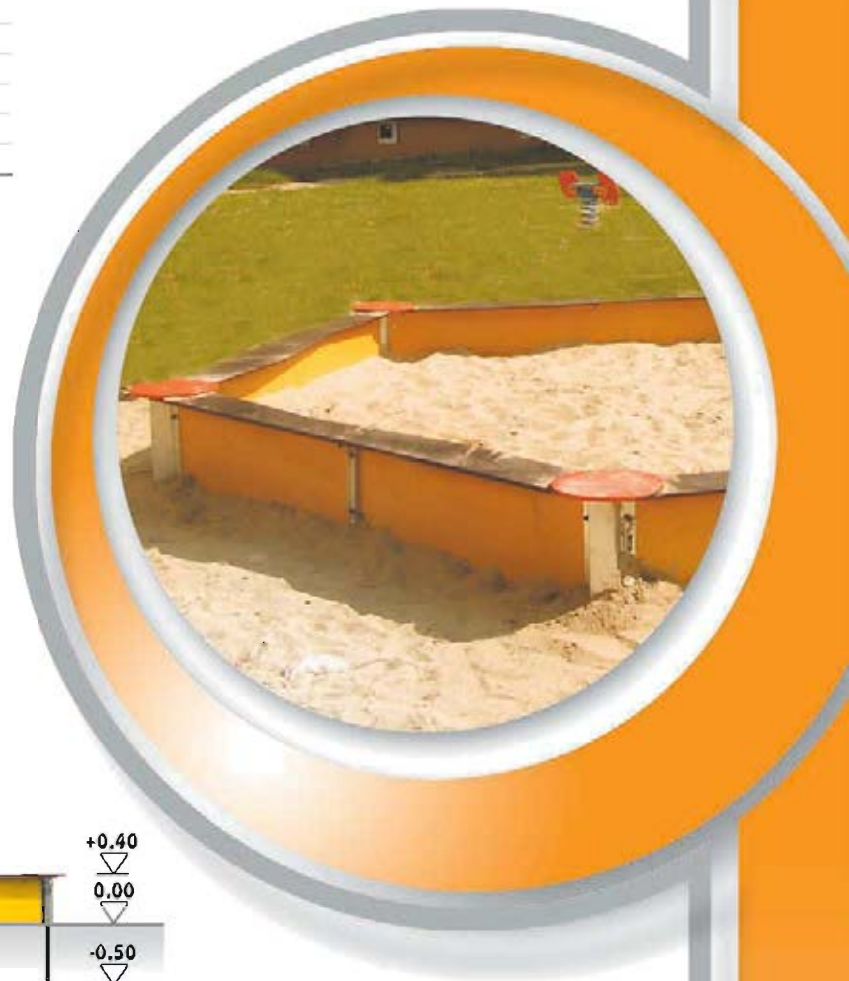
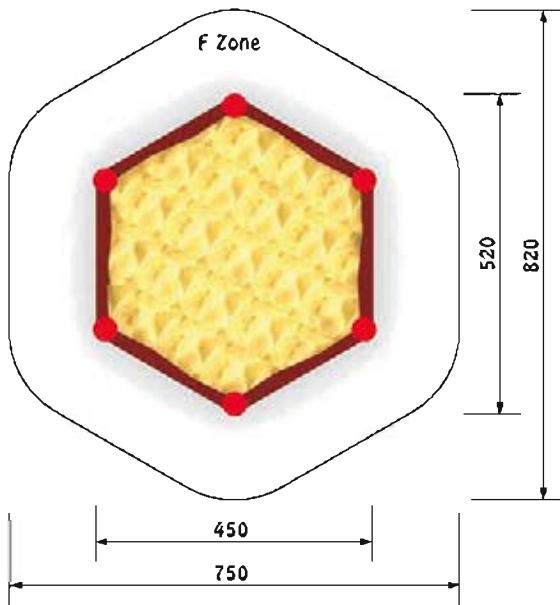


10016

Hexagon Plywood sandbox

side 2,4 m

Free zone	49,00 m ²
Minimum space	820 cm / 750 cm
Maximum set dimension	520 / 450 / 40 cm
Weight	230 kg
Surfacing: sand, gravel, bark, grass	
Free height of fall	40 cm

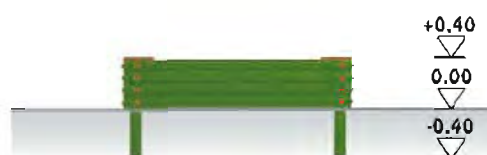
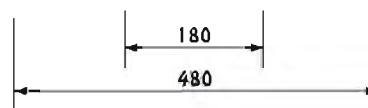
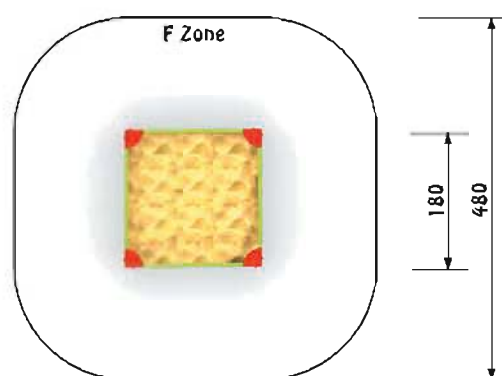
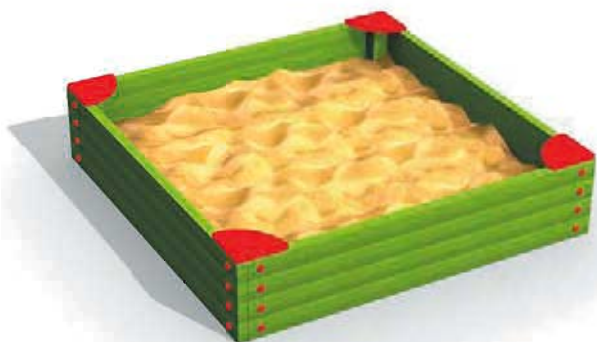


Square sandbox

side 1,8 m

10026

Free zone	21,10 m ²
Minimum space	480 cm / 480 cm
Maximum set dimension	180 / 180 / 40 cm
Weight	160 kg
Surfacing: sand, gravel, bark, grass	
Free height of fall	40 cm

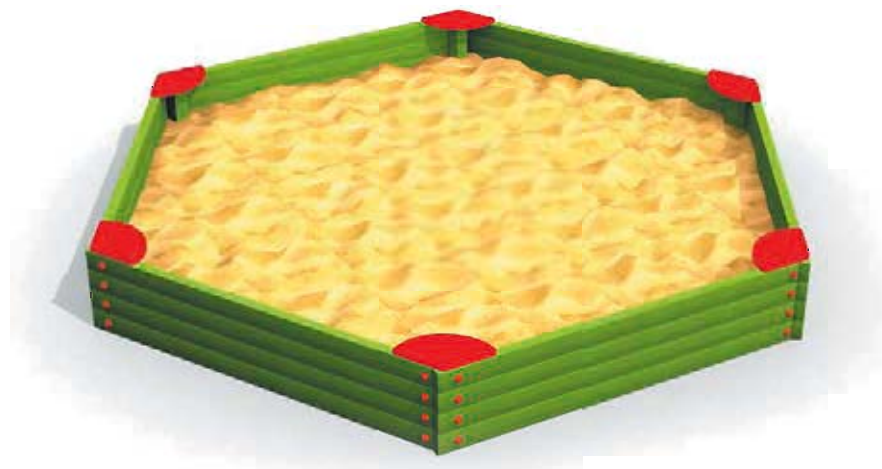
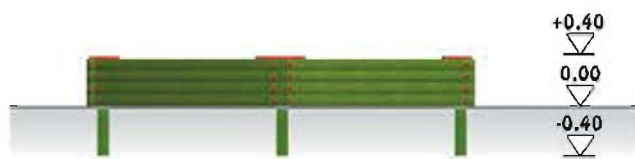
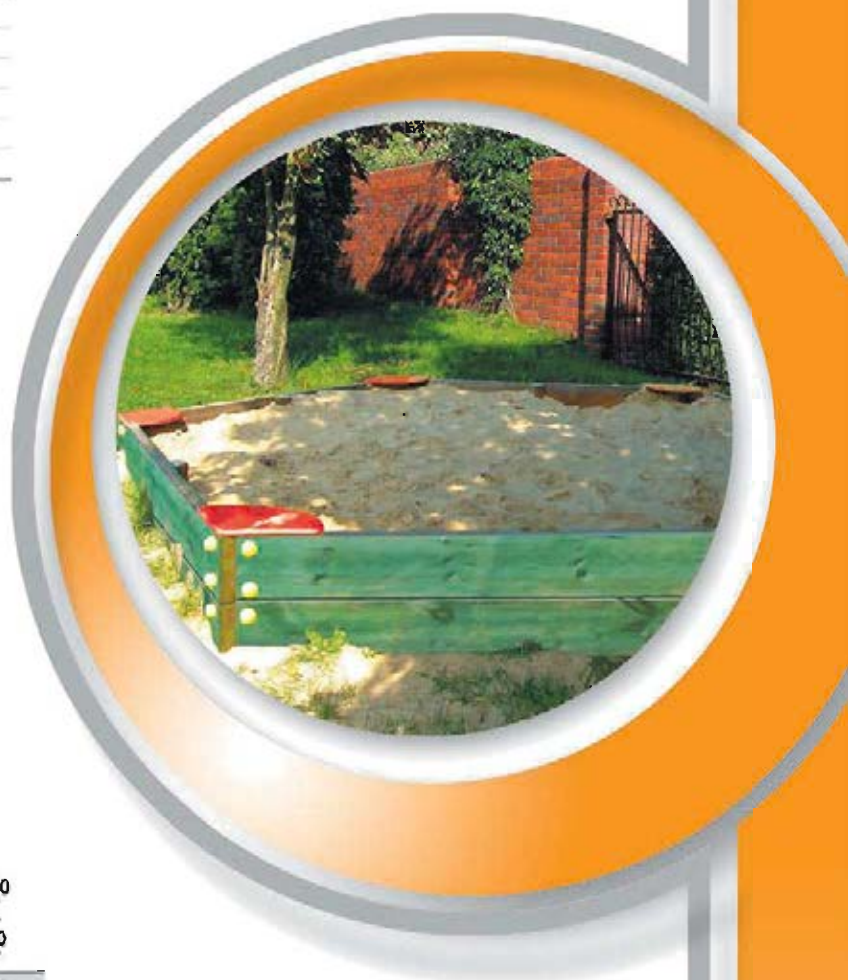
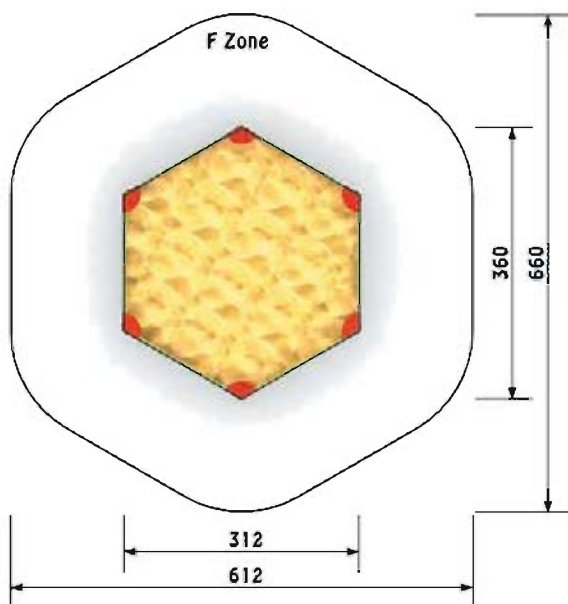


10028

Hexagon sandbox

side 1,8 m

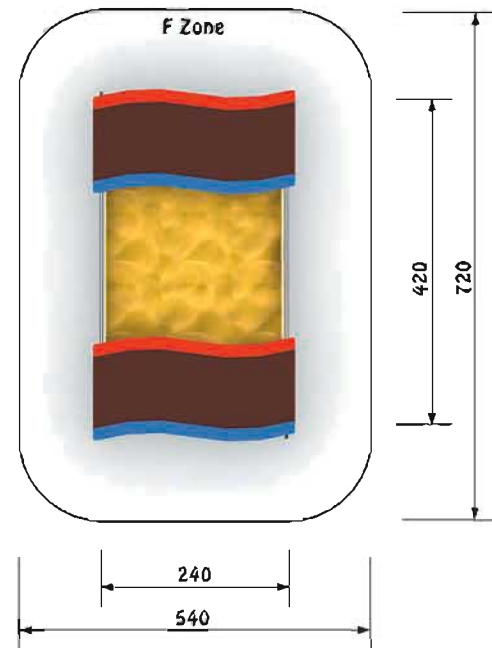
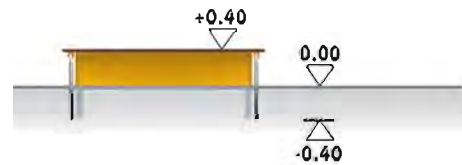
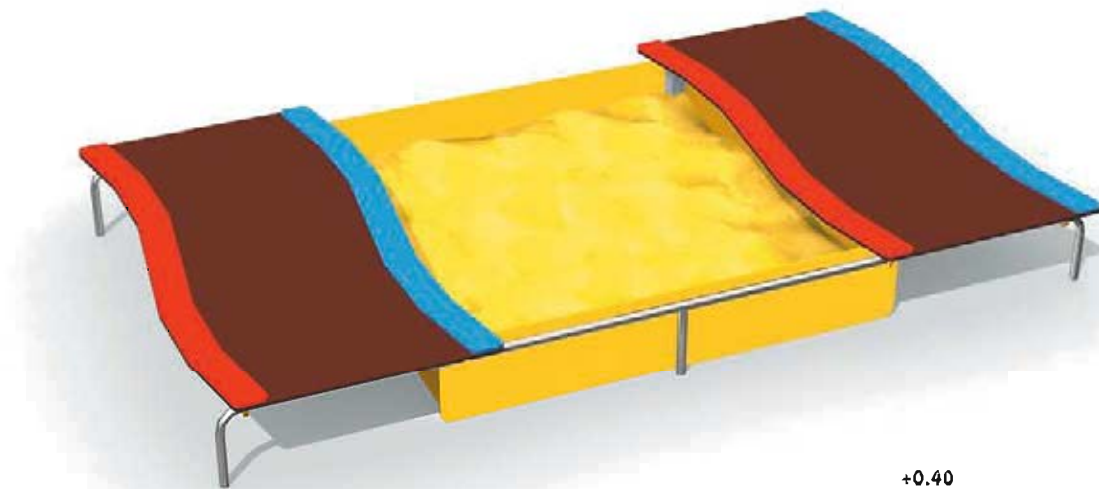
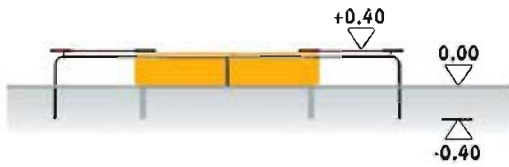
Free zone	31,68 m ²
Minimum space	660 cm / 612 cm
Maximum set dimension	360 / 312 / 40 cm
Weight	210 kg
Surfacing: sand, gravel, bark, grass	
Free height of fall	40 cm



Closed sandbox

10046

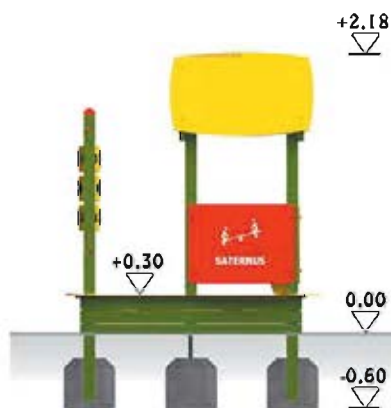
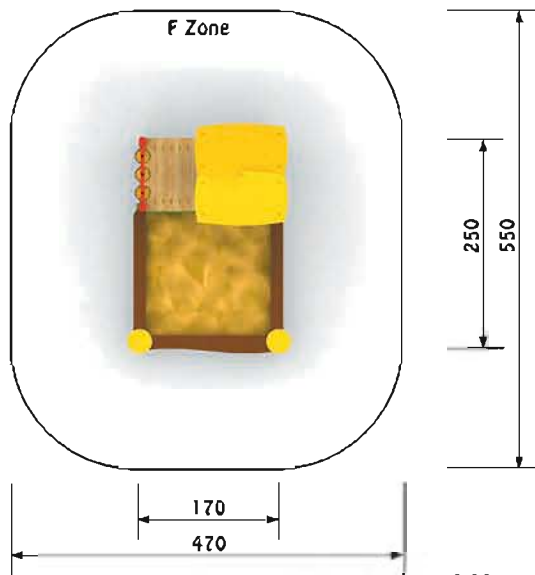
Free zone	36,80 m ²
Minimum space	720 cm / 540 cm
Maximum set dimension	420 / 240 / 40 cm
Weight	350 kg
Surfacing: sand, gravel, bark, grass	
Free height of fall	40 cm



10047

House with sandbox

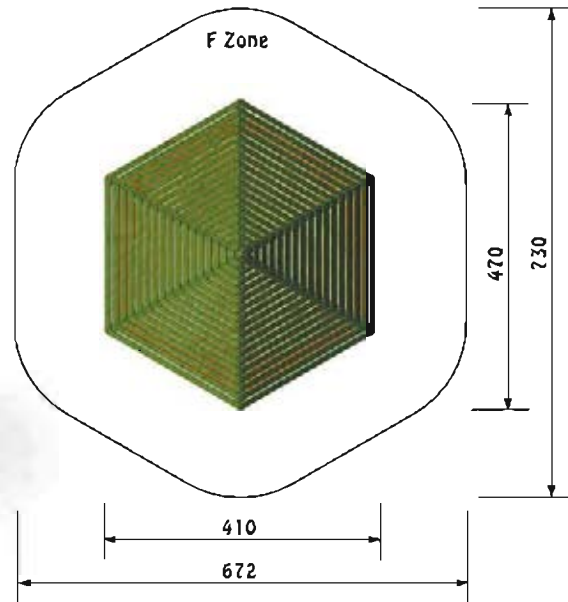
Free zone	23,40 m ²
Minimum space	550 cm / 470 cm
Maximum set dimension	250 / 170 / 218 cm
Weight	360 kg
Surfacing: sand, gravel, bark, grass	
Free height of fall	30 cm



Hexagon Plywood sandbox with awning

10017

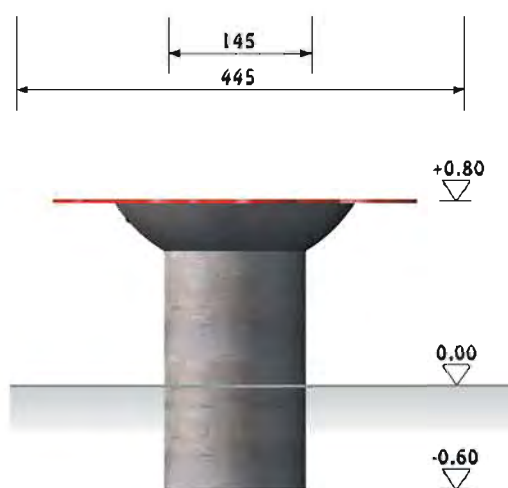
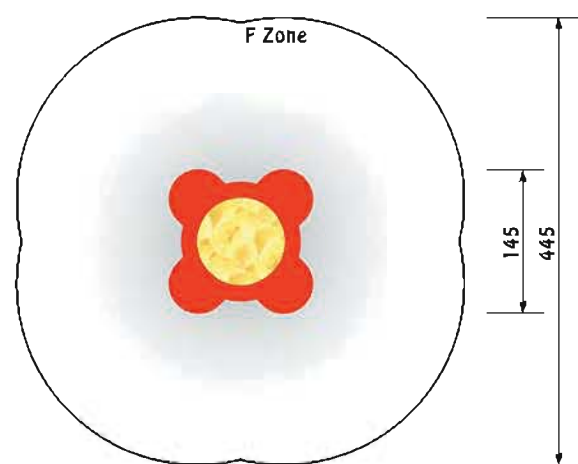
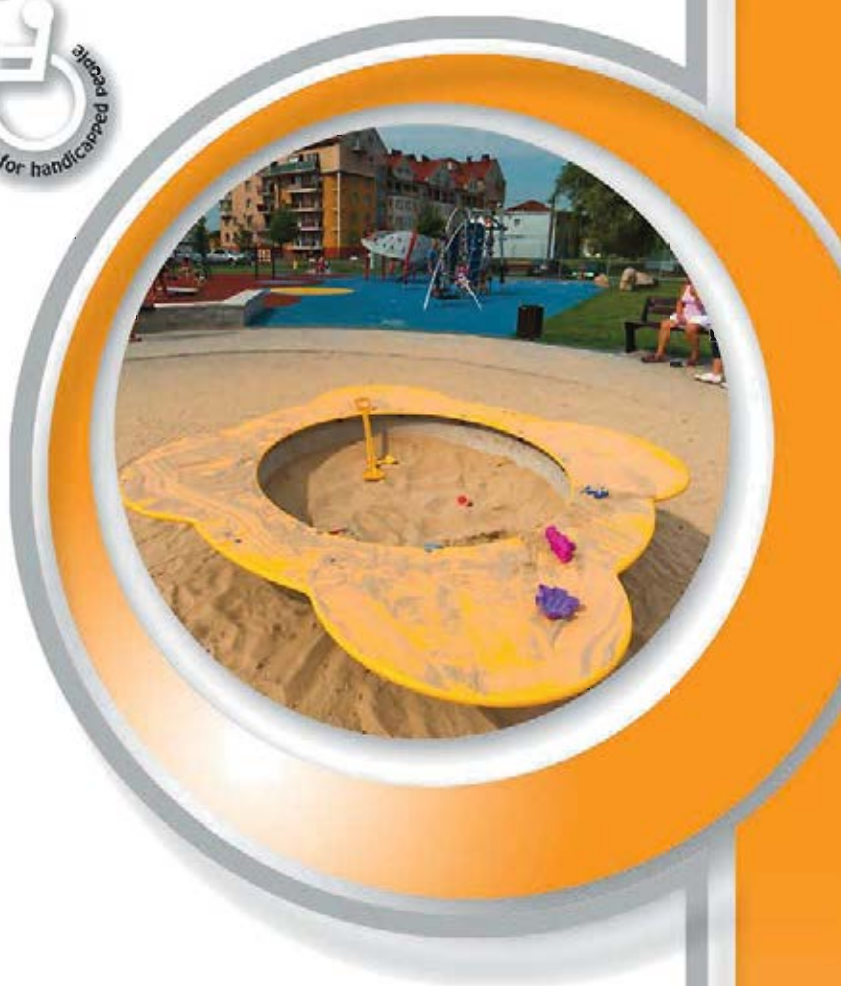
Free zone	38,40 m ²
Minimum space	730 cm / 672 cm
Maximum set dimension	470 / 410 / 350 cm
Weight	620 kg
Surfacing: sand, gravel, bark, grass	
Free height of fall	40 cm



910

Concrete integration sandbox

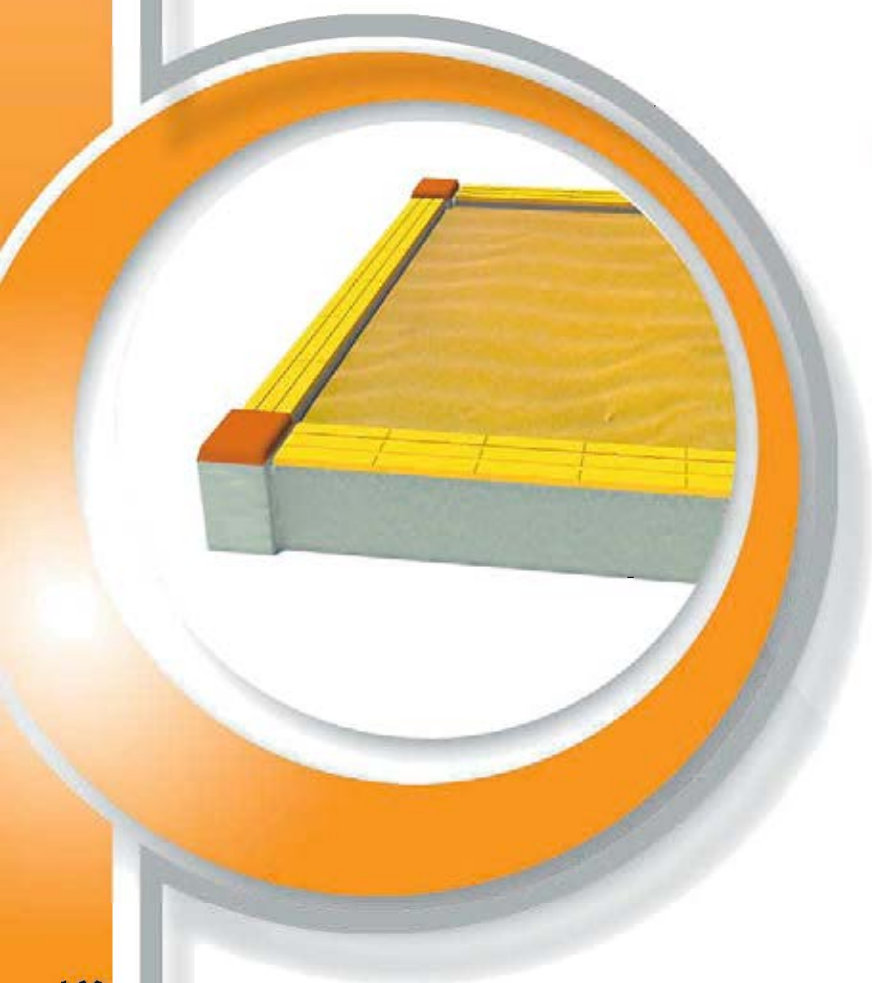
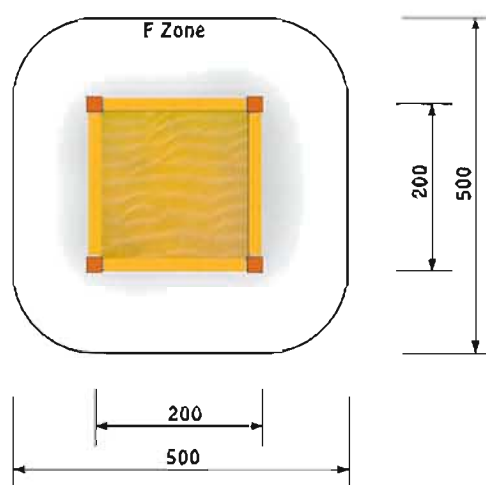
Free zone	16,95 m ²
Minimum space	445 cm / 445 cm
Maximum set dimension	145 / 145 / 80 cm
Weight	320 kg
Surfacing: sand, gravel, bark, synthetic, grass	
Free height of fall	does not refer



Concrete square sandbox

10048

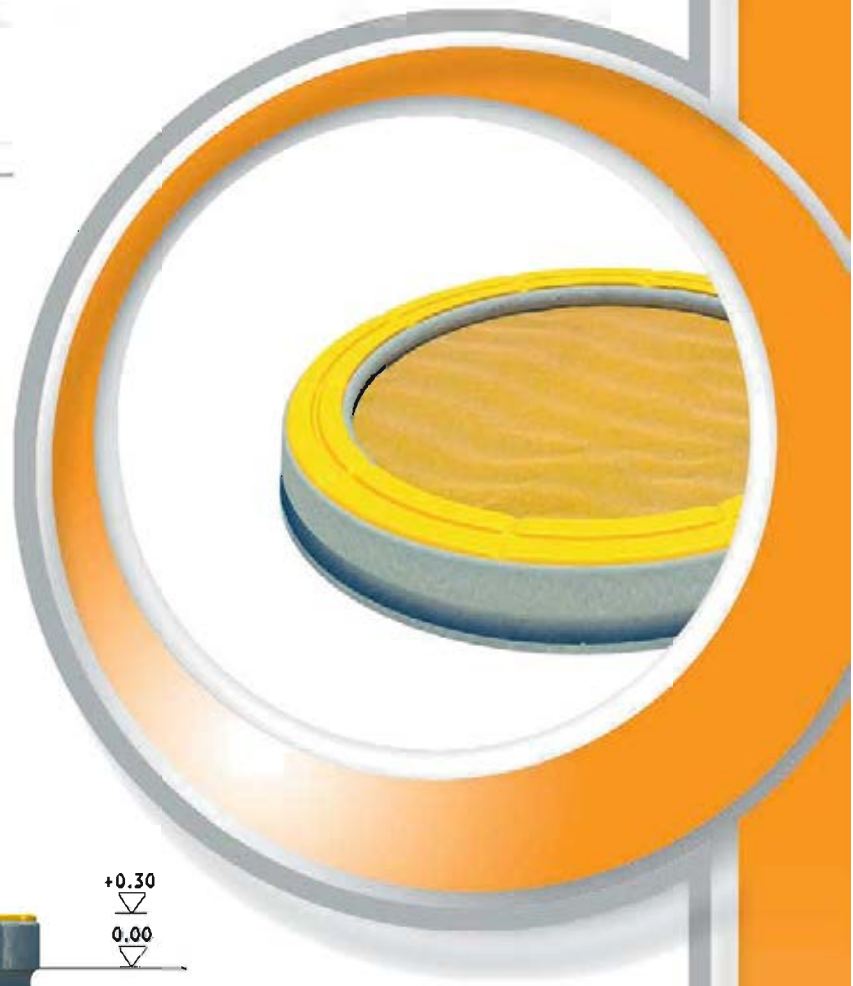
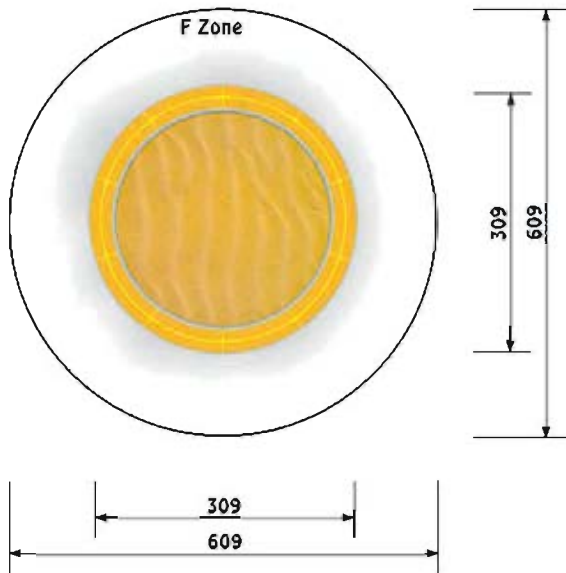
Free zone	23,00 m ²
Minimum space	500 cm / 500 cm
Maximum set dimension	200 / 200 / 55 cm
Weight	2800 kg
Surfacing: sand, gravel, bark, grass	
Free height of fall	55 cm



9800

Concrete round sandbox

Free zone	29,10 m ²
Minimum space	609 cm / 609 cm
Maximum set dimension	309 / 309 / 30 cm
Weight	2790 kg
Surfacing: sand, gravel, bark, grass	
Free height of fall	30 cm





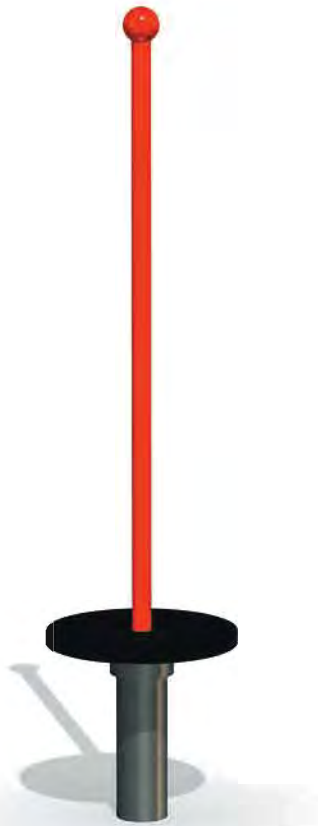
Roundabouts

0420	Roundabout Piruet	Ø 0,3 m	p. 172
0530	Roundabout Spodek	Ø 1,3 m	p. 173
0322	Roundabout Huragan	Ø 1,3 m	p. 174
0322/1	Roundabout Huragan	Ø 1,6 m	p. 174
0330	Roundabout Tajfun	Ø 1,3 m	p. 175
0144	Roundabout Tornado	Ø 1,4 m	p. 176
0144/1	Roundabout Tornado	Ø 1,4 m with three sits	p. 176
0144/2	Roundabout Tornado	Ø 1,4 m with four sits	p. 176
0144/3	Roundabout Tornado	Ø 1,65 m with three sits	p. 176
0144/4	Roundabout Tornado	Ø 1,65 m with four sits	p. 176
0244	Roundabout Cyklon	Ø 1,4 m	p. 177
0244/1	Roundabout Cyklon	Ø 1,4 m with three sits	p. 177
0244/2	Roundabout Cyklon	Ø 1,4 m with four sits	p. 177
0244/3	Roundabout Cyklon	Ø 1,65 m with three sits	p. 177
0244/4	Roundabout Cyklon	Ø 1,65 m with four sits	p. 177
0483	Roundabout Trójramienna	Ø 1,7 m	p. 178
0473	Roundabout Trójramienna	Ø 1,7 m with plate	p. 179
0484	Roundabout Czteroramienna	Ø 1,7 m	p. 180
0474	Roundabout Czteroramienna	Ø 1,7 m with plate	p. 181
0712	Roundabout Słupowa	with two grasps	p. 182
0713	Roundabout Słupowa	with three grasps	p. 183

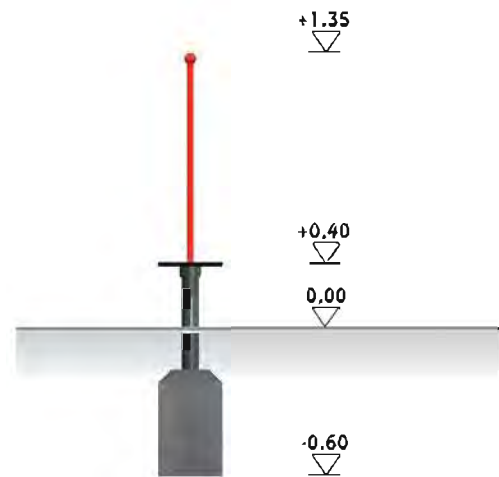
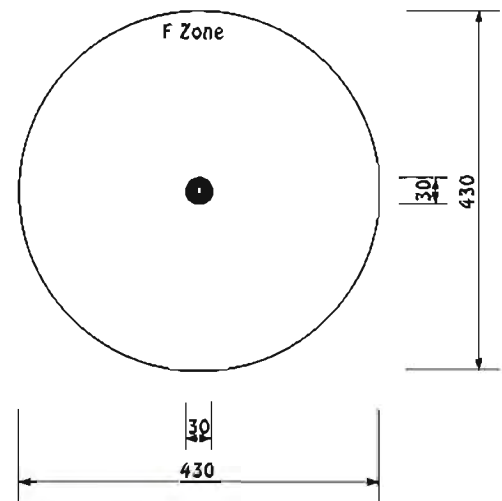
Roundabout Piruet

0420

Ø 0,3 m



Free zone	14,52 m ²
Minimum space	430 cm / 430 cm
Maximum set dimension	30 / 30 / 135 cm
Weight	15 kg
Surfacing: sand, gravel, bark, synthetic, grass	
Free height of fall	40 cm

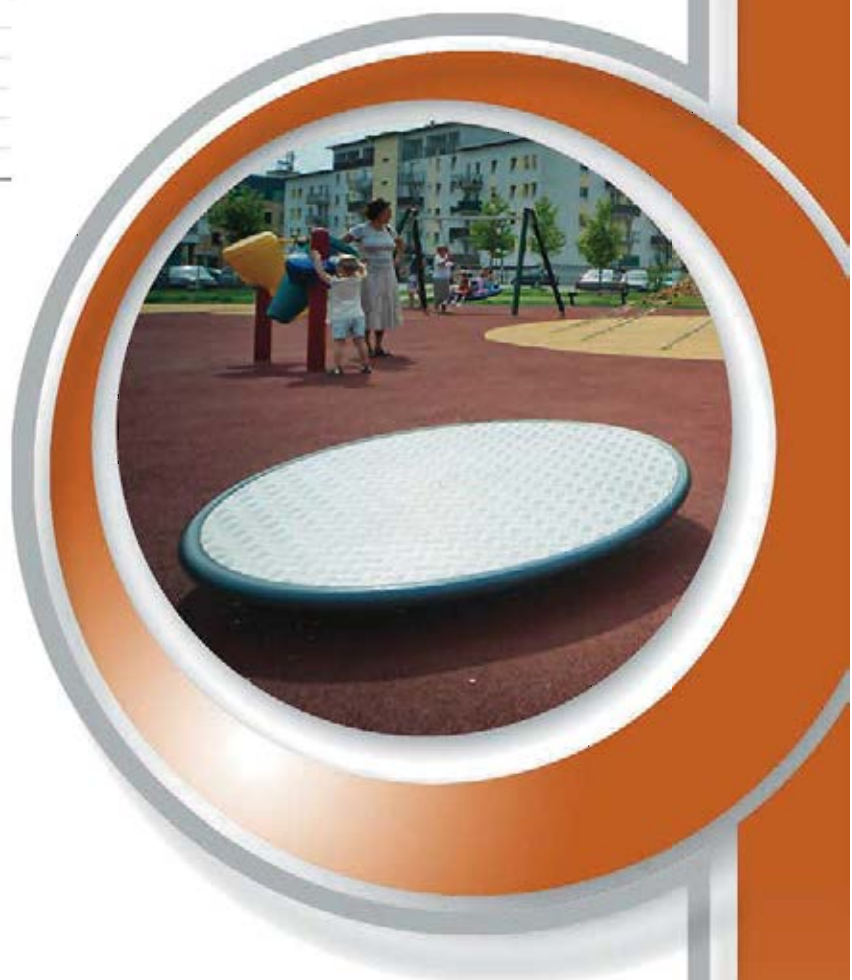
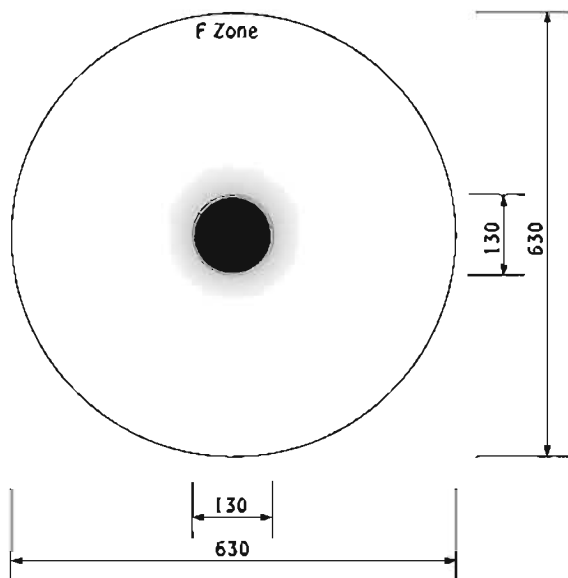


0530

Roundabout Spodek

Ø 1,3 m

Free zone	31,17 m ²
Minimum space	630 cm / 630 cm
Maximum set dimension	130 / 130 / 45 cm
Weight	62 kg
Surfacing: sand, gravel, bark, synthetic, grass	
Free height of fall	45 cm



Roundabout Huragan

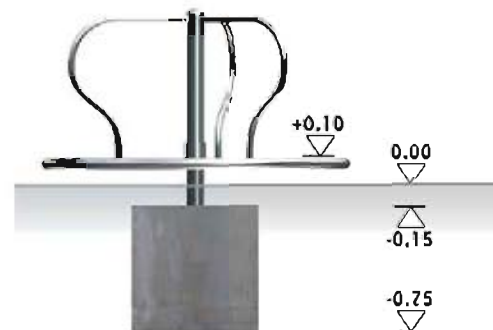
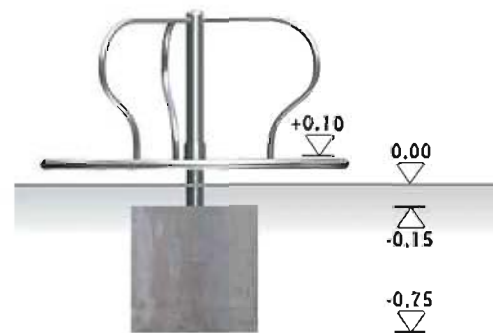
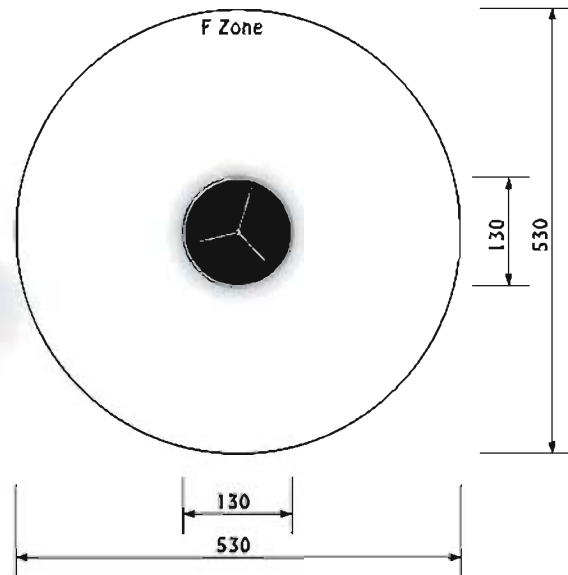
0322

Ø 1,3 m

Device options:

- 0322 diameter Ø 130 cm, zone 22,06 m²
- 0322/1 diameter Ø 160 cm, zone 24,63 m²

Free zone	22,06 m ²
Minimum space	530 cm / 530 cm
Maximum set dimension	130 / 130 / 80 cm
Weight	78 kg
Surfacing: sand, gravel, bark, synthetic, grass	
Free height of fall	10 cm

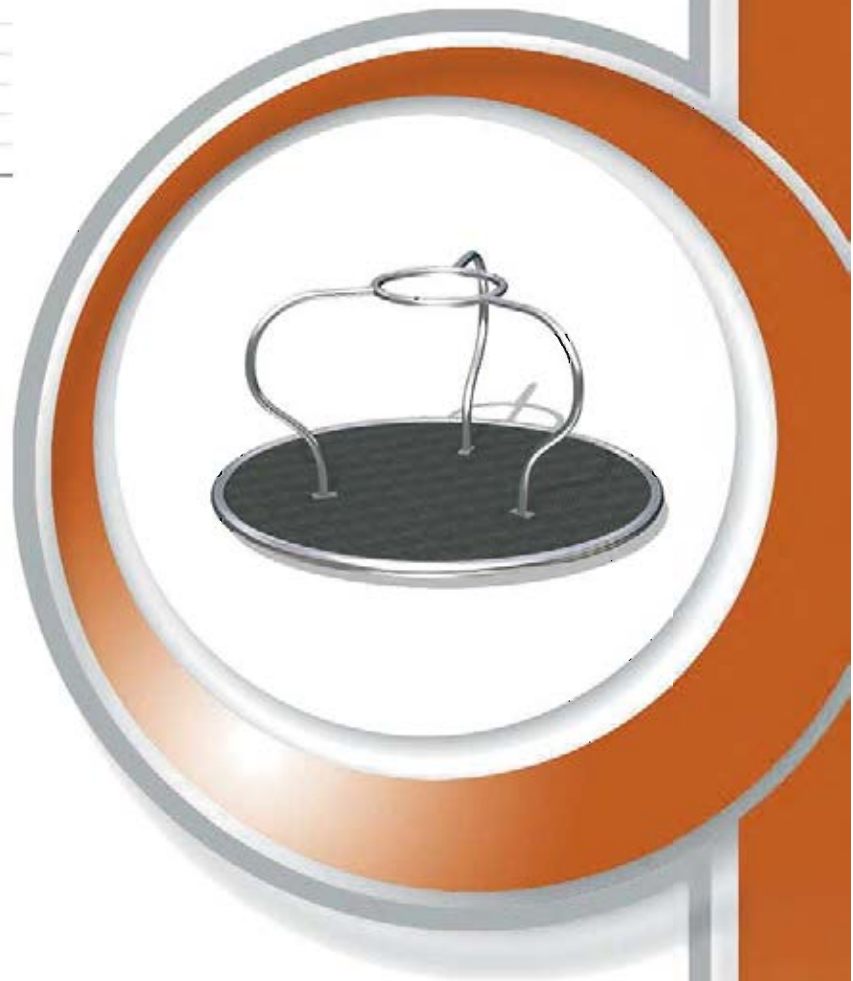
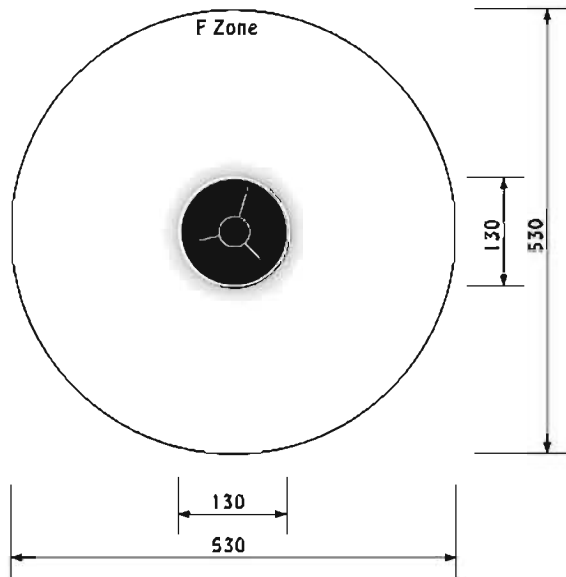


0330

Roundabout Tajfun

Ø 1,3 m

Free zone	22,06 m ²
Minimum space	530 cm / 530 cm
Maximum set dimension	130 / 130 / 80 cm
Weight	60 kg
Surfacing: sand, gravel, bark, synthetic, grass	
Free height of fall	10 cm



Roundabout Tornado

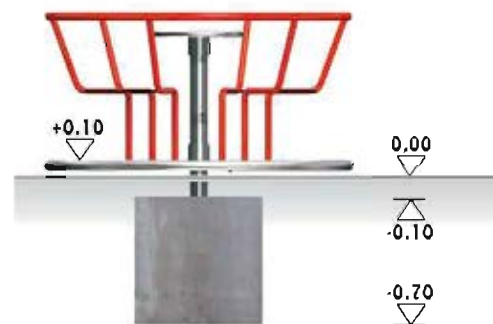
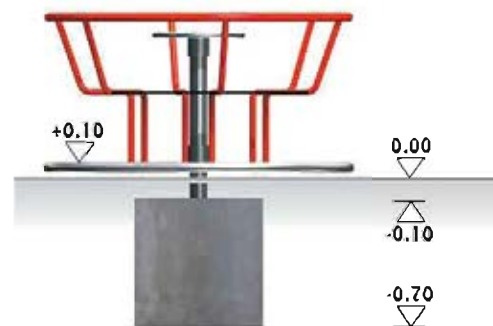
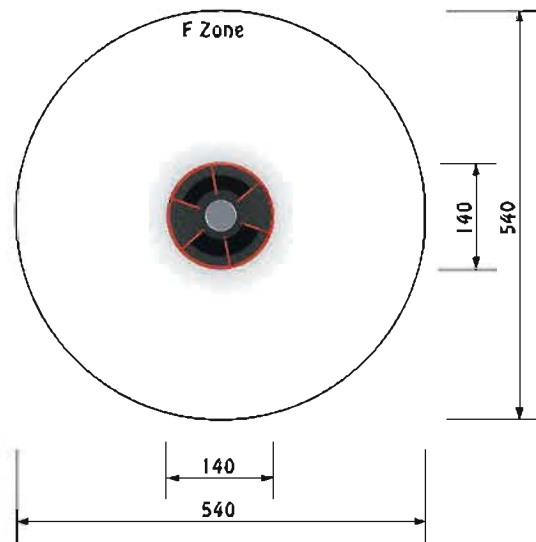
0144

Ø 1,4 m

Device options:

- 0144 diameter Ø 140 cm, zone 22,90 m²
- 0144/1 diameter Ø 140 cm, zone 22,90 m² with three sits
- 0144/2 diameter Ø 140 cm, zone 22,90 m² with four sits
- 0144/4 diameter Ø 165 cm, zone 25,07 m² with four sits

Free zone	22,90 m ²
Minimum space	540 cm / 540 cm
Maximum set dimension	140 / 140 / 71 cm
Weight	104 kg
Surfacing: sand, gravel, bark, synthetic, grass	
Free height of fall	50 cm

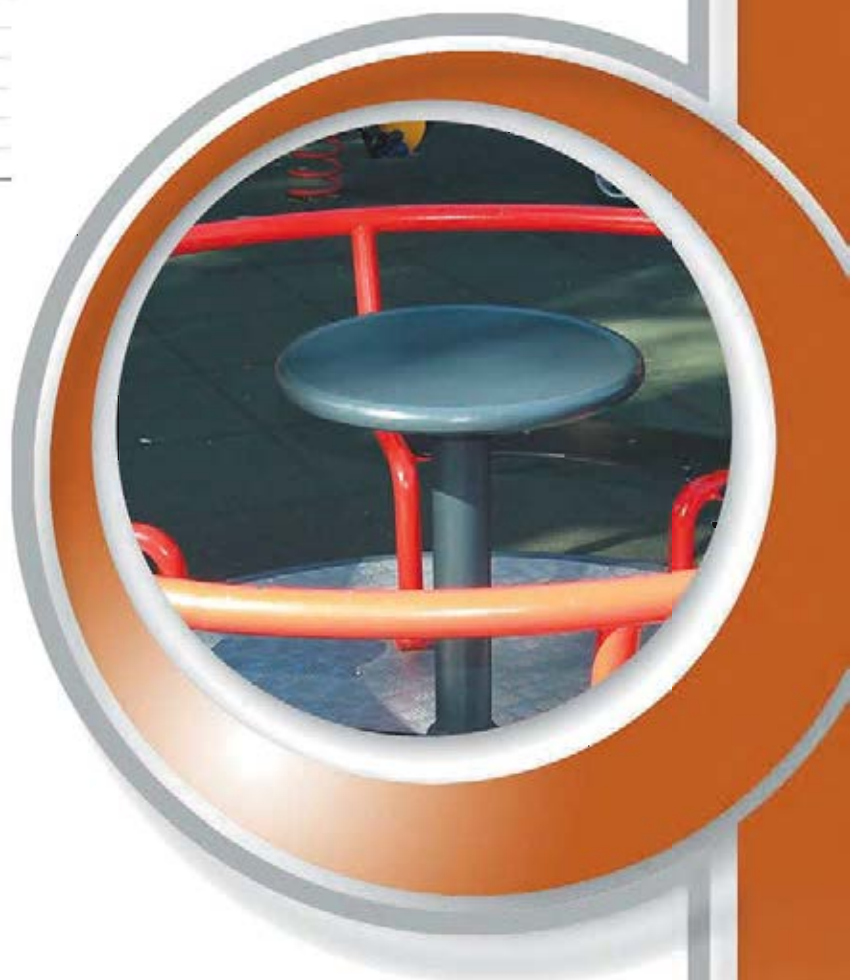
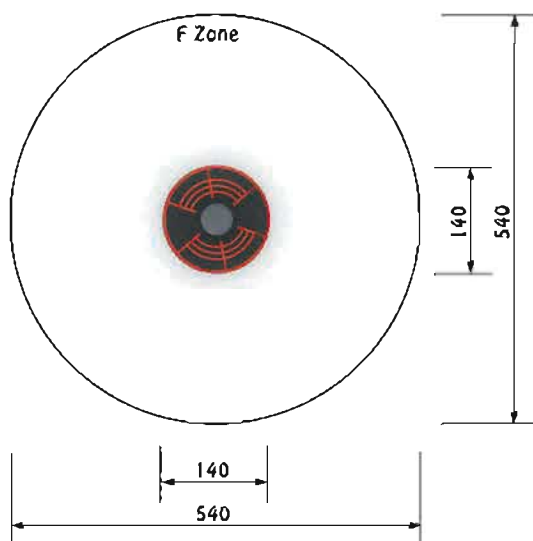


0244

Roundabout Cyklon

Ø 1,4 m

Free zone	22,90 m ²
Minimum space	540 cm / 540 cm
Maximum set dimension	140 / 140 / 71 cm
Weight	102 kg
Surfacing: sand, gravel, bark, synthetic, grass	
Free height of fall	50 cm



Device options:

- 0244 diameter Ø 140 cm, zone 22,90 m²
- 0244/1 diameter Ø 140 cm, zone 22,90 m² with three sits
- 0244/2 diameter Ø 140 cm, zone 22,90 m² with four sits
- 0244/4 diameter Ø 165 cm, zone 25,07 m² with four sits

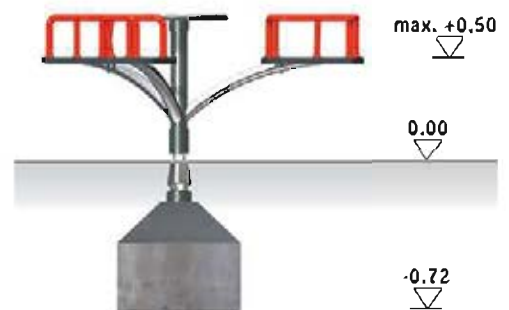
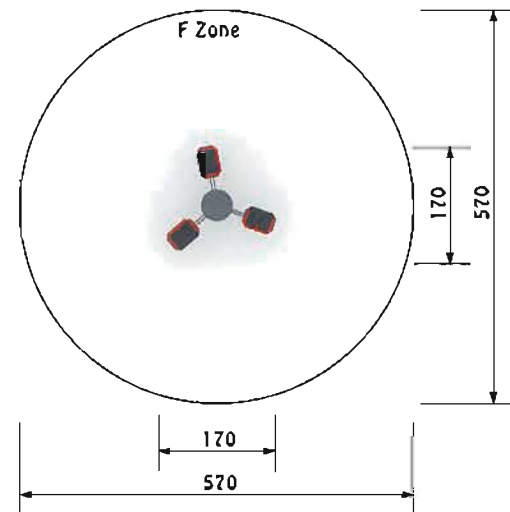
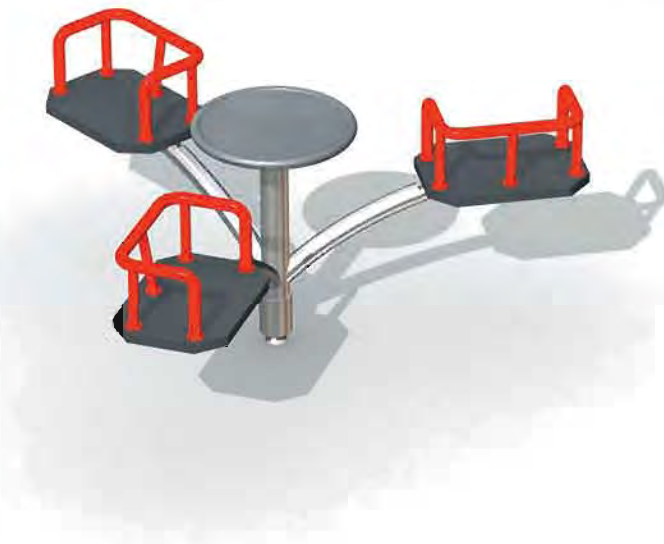


Roundabout Trójramienna

0483

Ø 1,7 m

Free zone	25,51 m ²
Minimum space	570 cm / 570 cm
Maximum set dimension	170 / 170 / 72 cm
Weight	65 kg
Surfacing: sand, gravel, bark, synthetic, grass	
Free height of fall	50 cm

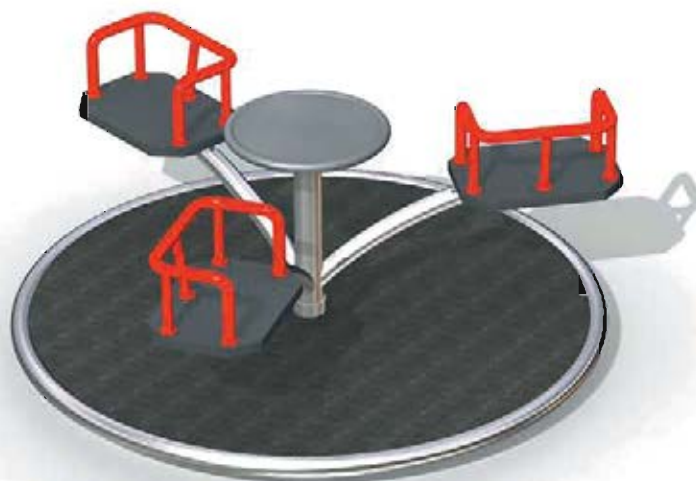
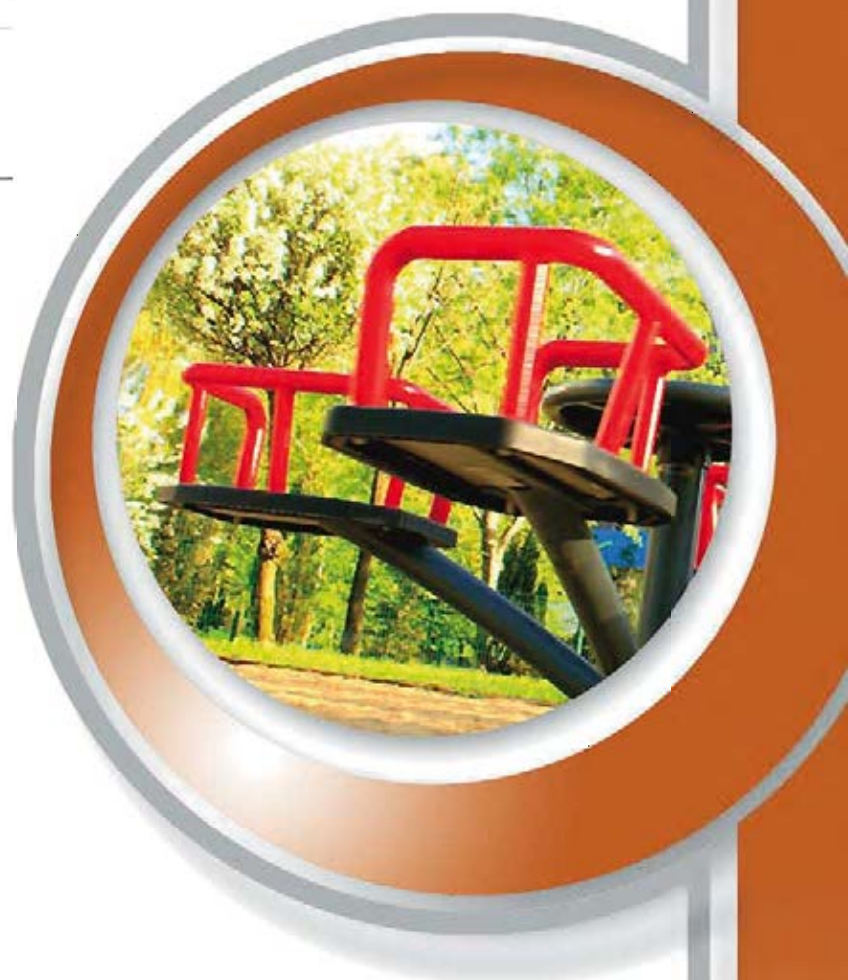
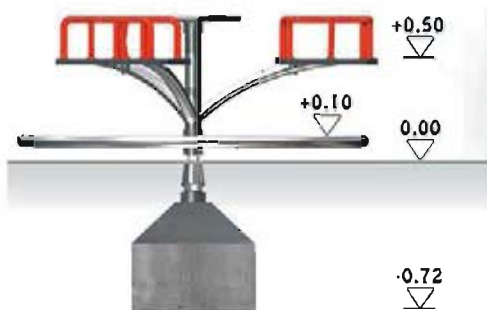
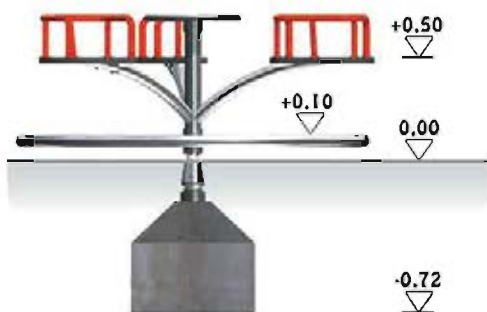
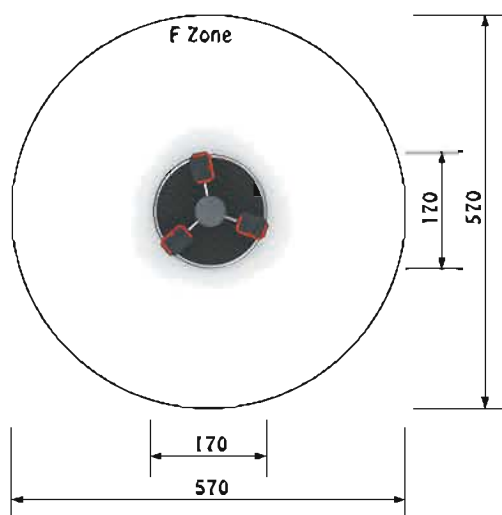


0473

Roundabout Trójramienna

Ø 1,7 m with plate

Free zone	25,51 m ²
Minimum space	570 cm / 570 cm
Maximum set dimension	170 / 170 / 72 cm
Weight	135 kg
Surfacing: sand, gravel, bark, synthetic, grass	
Free height of fall	50 cm

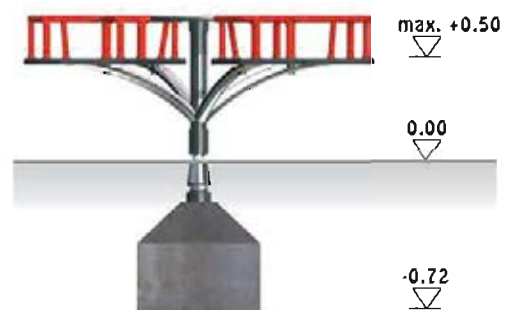
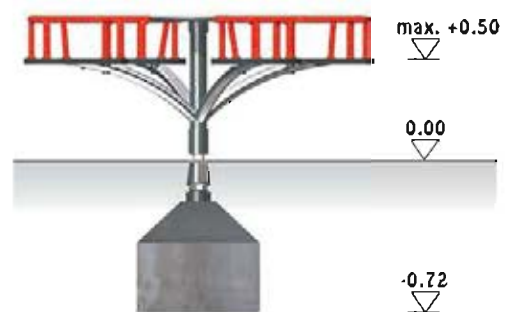
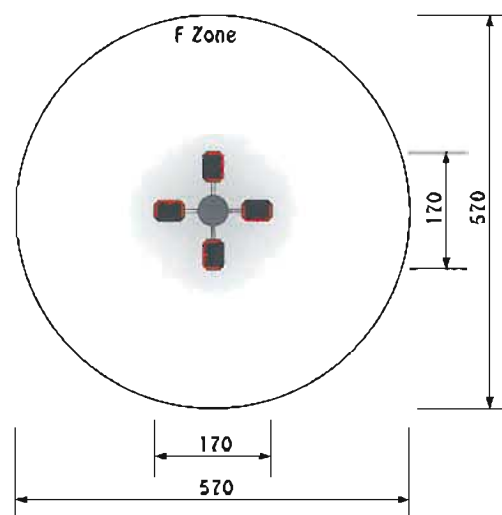


Roundabout Czteroramienna

0484

Ø 1,7 m

Free zone	25,51 m ²
Minimum space	570 cm / 570 cm
Maximum set dimension	170 / 170 / 72 cm
Weight	74 kg
Surfacing: sand, gravel, bark, synthetic, grass	
Free height of fall	50 cm

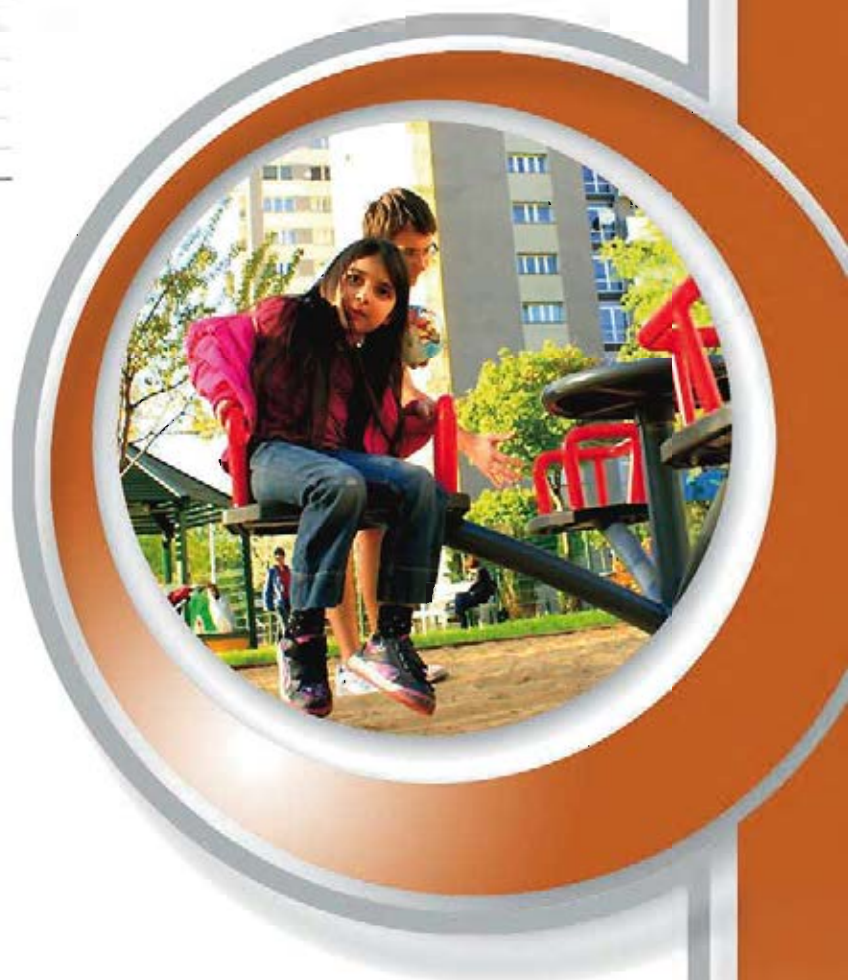
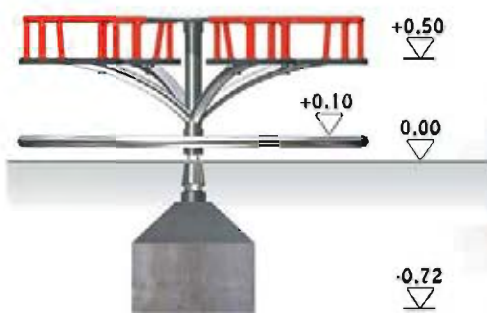
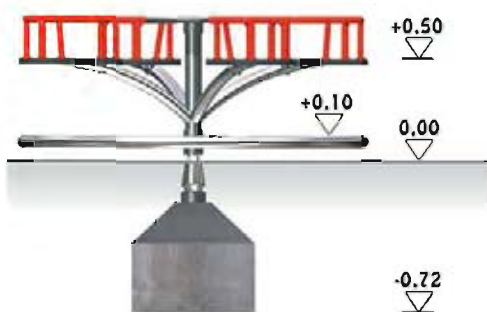
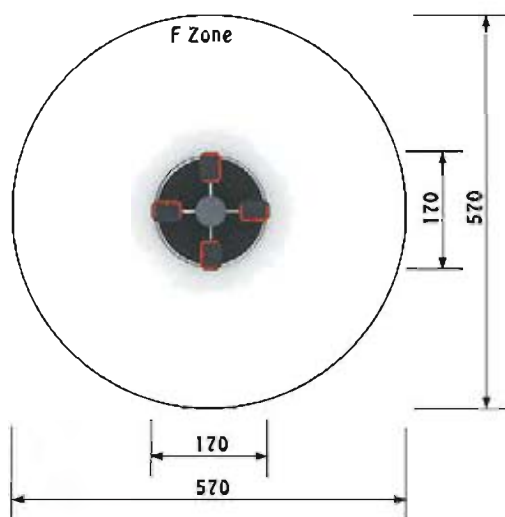


0474

Roundabout Czteroramienna

Ø 1,7 m with plate

Free zone	25,51 m ²
Minimum space	570 cm / 570 cm
Maximum set dimension	170 / 170 / 72 cm
Weight	145 kg
Surfacing: sand, gravel, bark, synthetic, grass	
Free height of fall	50 cm



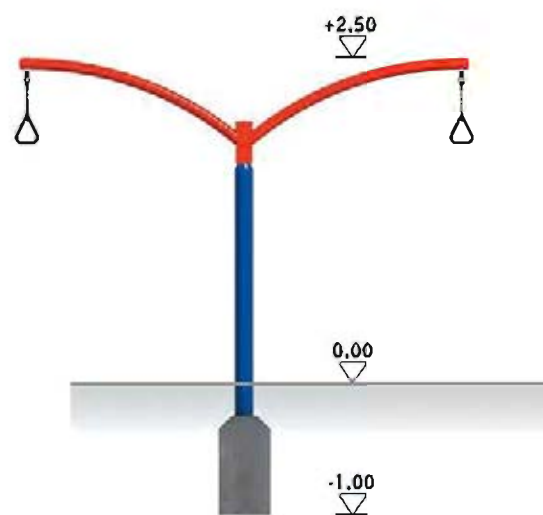
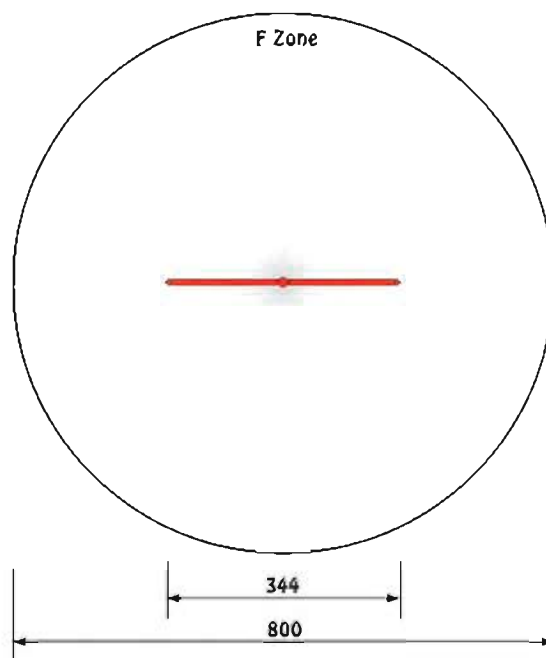
Roundabout Słupowa

with two grasps

0712



Free zone	50,26 m ²
Minimum space	800 cm / 800 cm
Maximum set dimension	344 / 344 / 250 cm
Weight	90 kg
Surfacing: sand, gravel, bark, synthetic	
Free height of fall	184 cm

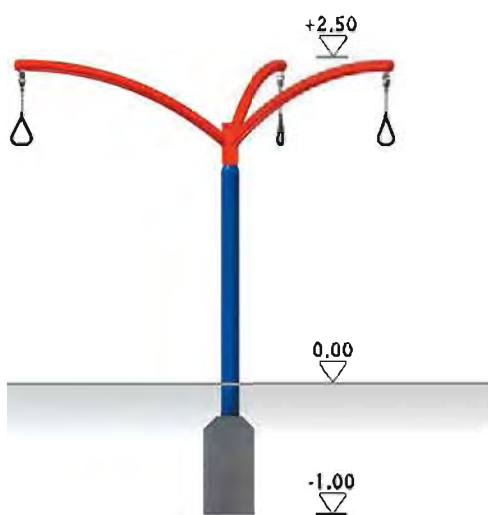
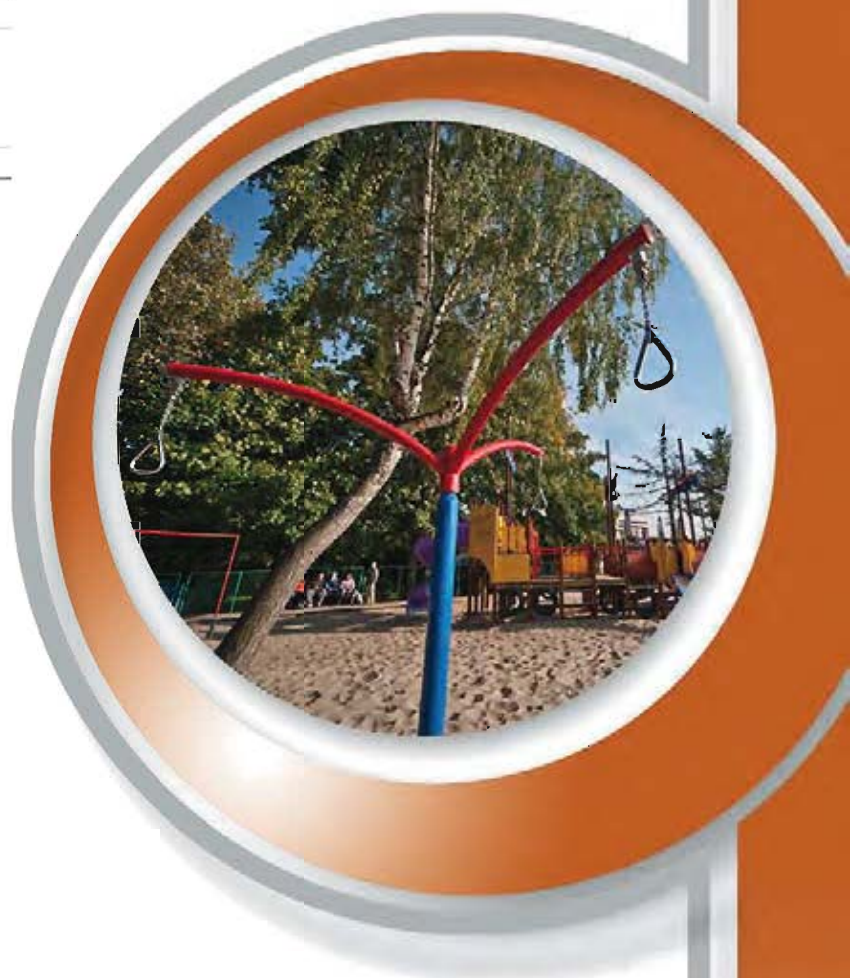
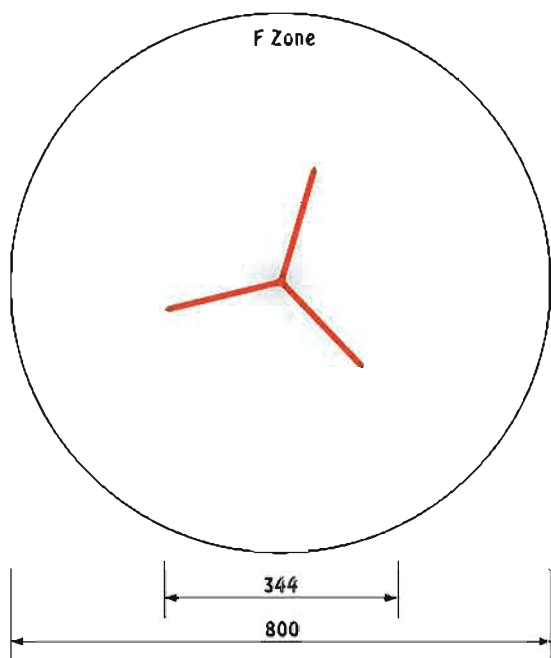


0713

Roundabout Słupowa

with three grasps

Free zone	50,26 m ²
Minimum space	800 cm / 800 cm
Maximum set dimension	344 / 344 / 250 cm
Weight	106 kg
Surfacing: sand, gravel, bark, synthetic	
Free height of fall	184 cm







Rope Constructions

4641-3	Mini climb 2,5 m	(Device non easily accessible, no age limit)	p. 186
4641-2	Midi climb 3,5 m	(Device non easily accessible, no age limit)	p. 187
4643-1B	Cheops Mini 3,6 m	(Device non easily accessible, no age limit)	p. 188
4643-2B	Cheops Midi 4,3 m	(Device non easily accessible, no age limit)	p. 189
4643-3B	Cheops Maxi 5,9 m	(Device non easily accessible, no age limit)	p. 190
10.01.100	Dino1 climb 6,5 m	(Device non easily accessible, no age limit)	p. 192
4687-30	Climb pyramid 3,7 m	(Device non easily accessible, no age limit)	p. 194
60056	View tower	(Device non easily accessible, no age limit)	p. 195
4595	Climb pyramid 6,0 m	(Device non easily accessible, no age limit)	p. 196
20.01.120	Sand clock	(Device non easily accessible, no age limit)	p. 196
20.01.130	Turning Pyramid	(Device non easily accessible, no age limit)	p. 199
0709	Turning Pyramid Everest	(Device non easily accessible, no age limit)	p. 200
0704	Turning Pyramid Mont Blanc	(Device non easily accessible, no age limit)	p. 202
0701	Giewont climb	(Device non easily accessible, no age limit)	p. 203

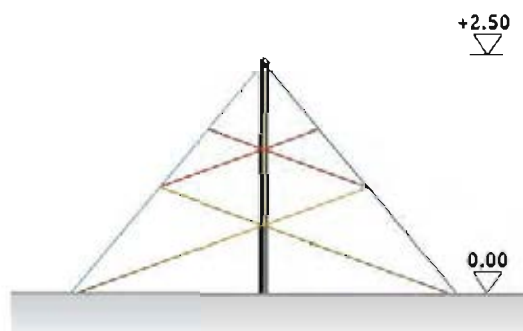
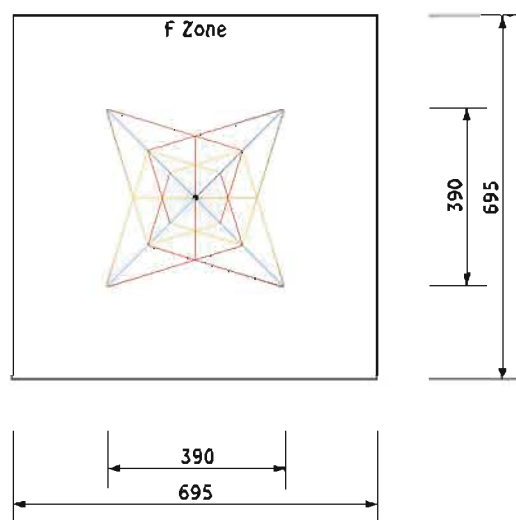
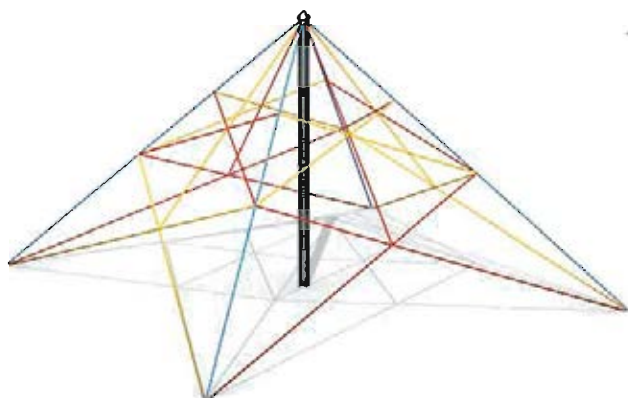
Device non easily accessible, no age limit

Mini climb

2,5 m

4641-3

Free zone	48,30 m ²
Minimum space	695 cm / 695 cm
Maximum set dimension	390 / 390 / 250 cm
Free height of fall	150 cm
Surfacing: sand, gravel, bark, synthetic	



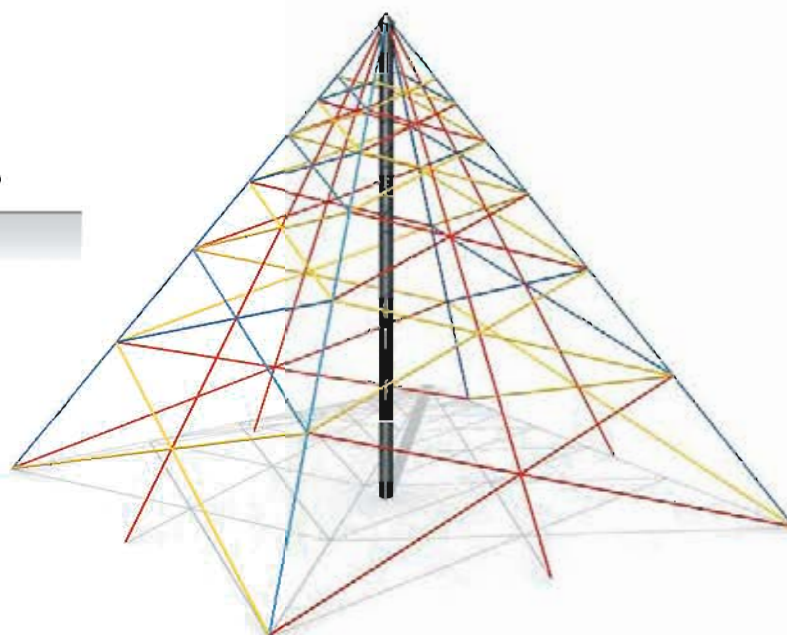
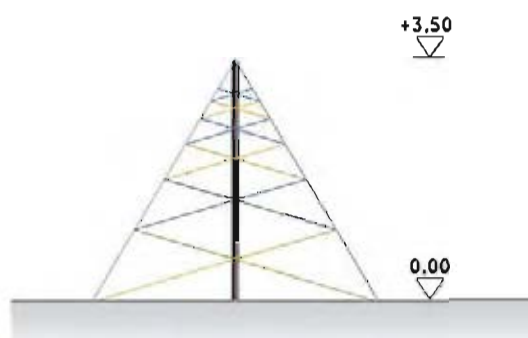
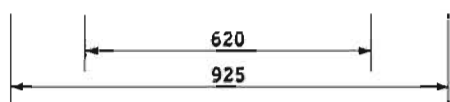
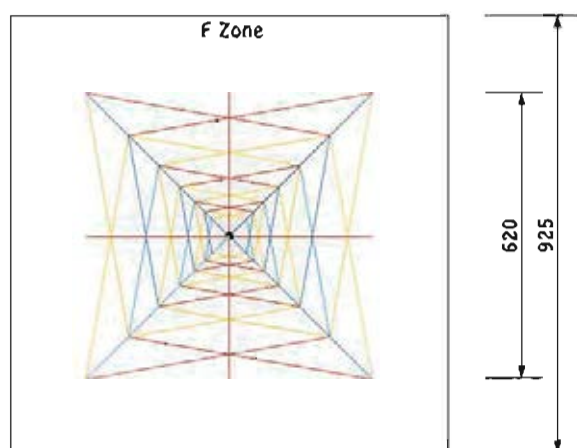
Device non easily accessible, no age limit

4641-2

Midi climb

3,5 m

Free zone	85,56 m ²
Minimum space	925 cm / 925 cm
Maximum set dimension	620 / 620 / 350 cm
Free height of fall	250 cm
Surfacing: sand, gravel, bark, synthetic	



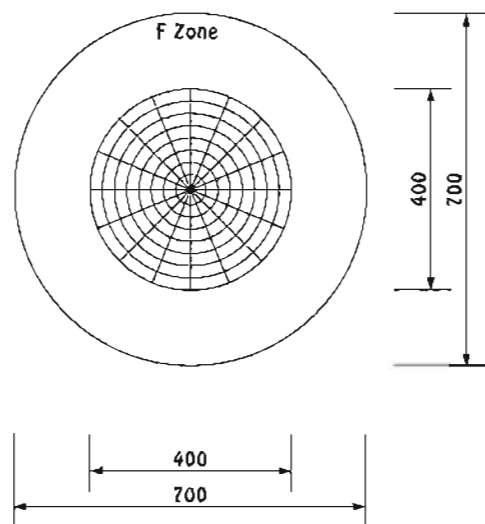
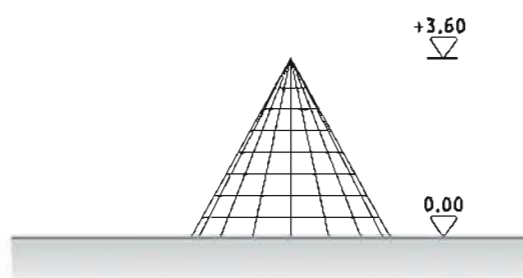
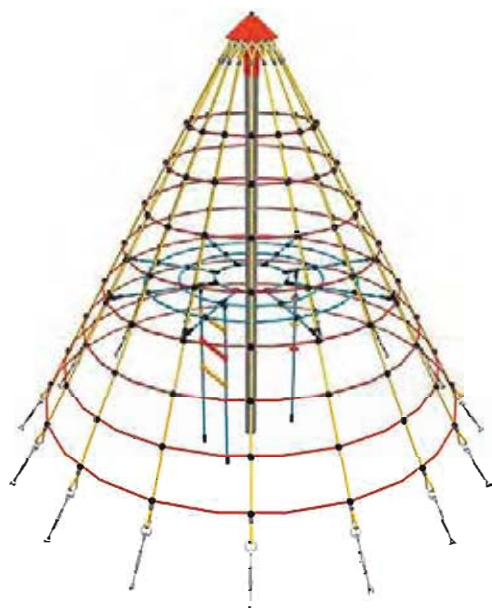
Device non easily accessible, no age limit

Cheops Mini

3,6 m

4643-1B

Free zone	39,00 m ²
Minimum space	700 cm / 700 cm
Maximum set dimension	400 / 400 / 360 cm
Free height of fall	120 cm
Surfacing: sand, gravel, bark, synthetic	



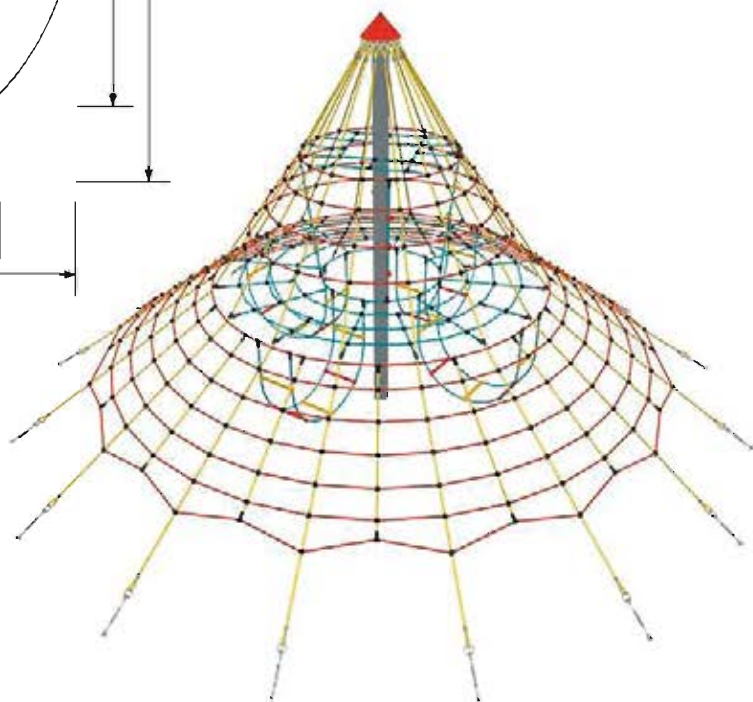
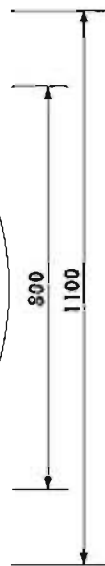
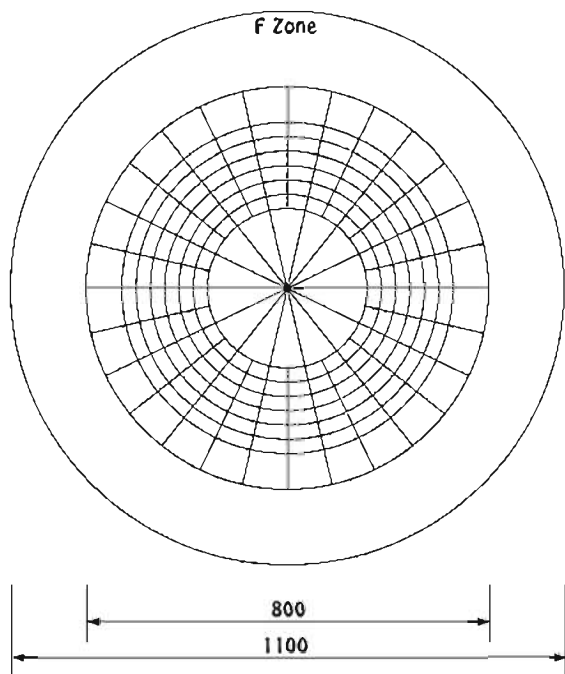
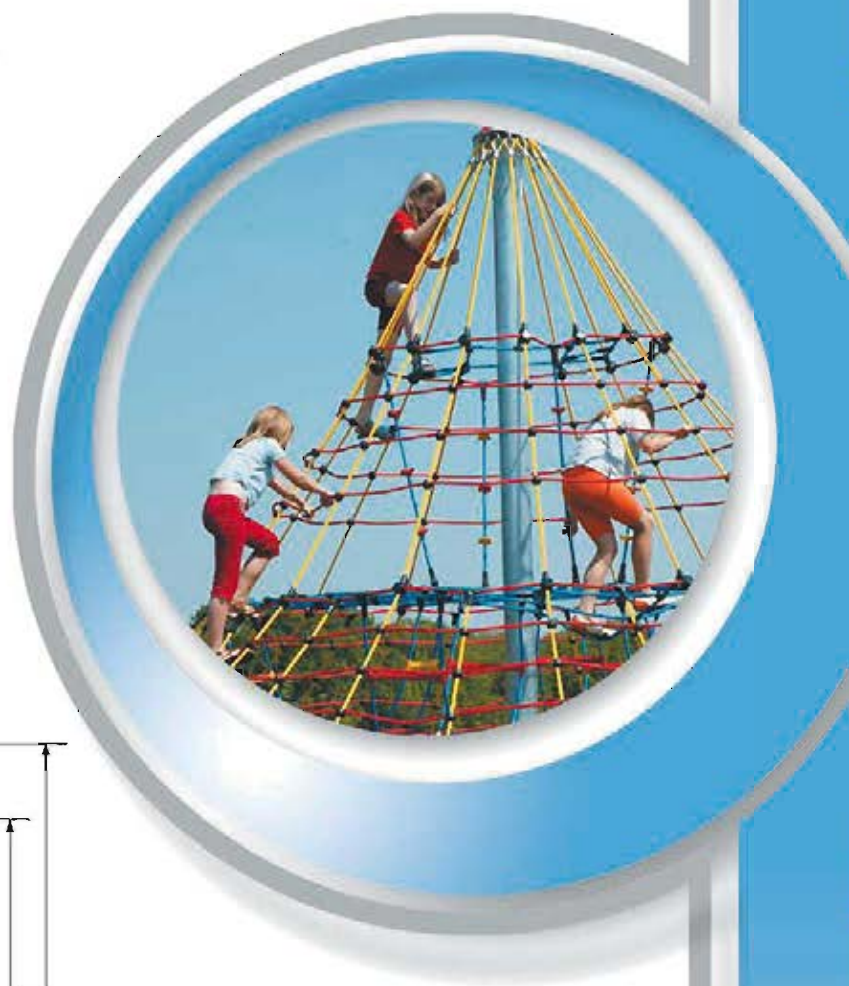
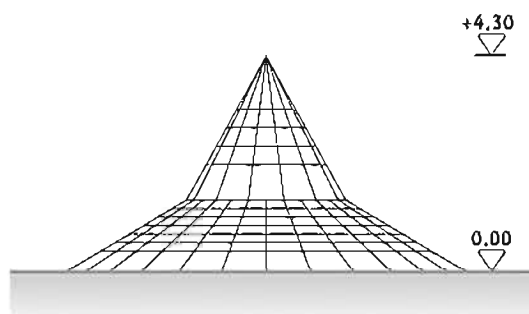
Device non easily accessible, no age limit

4643-2B

Cheops Midi

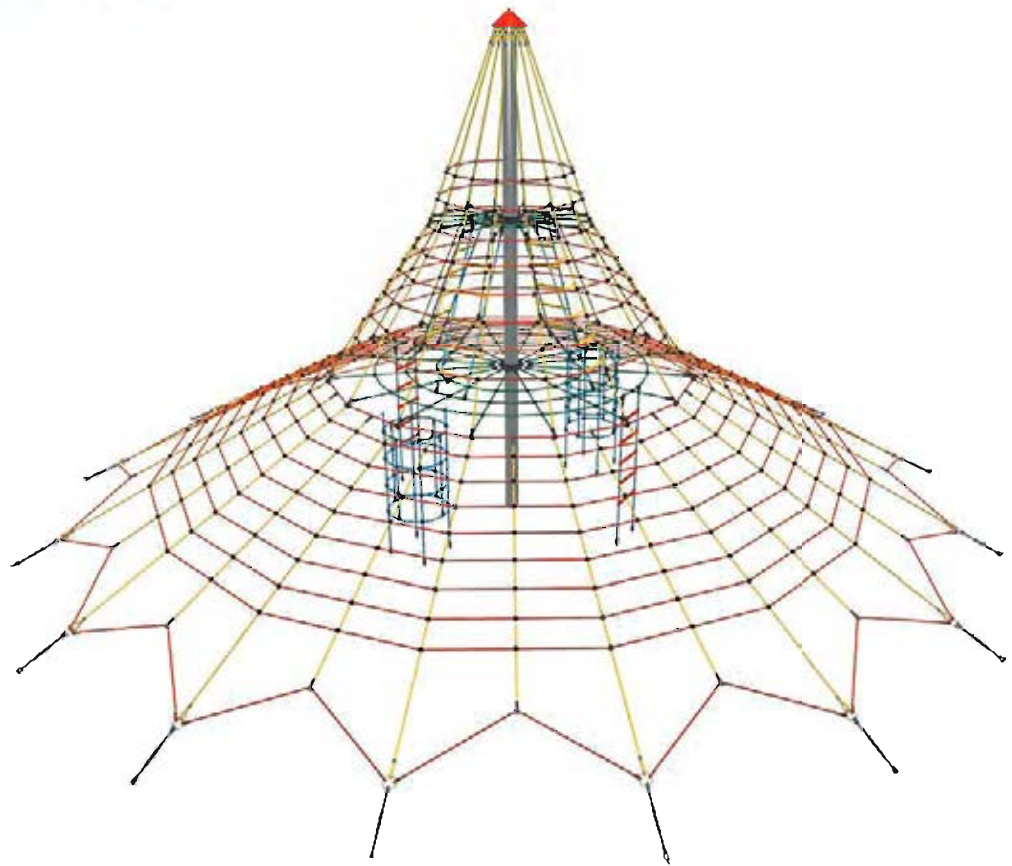
4,3 m

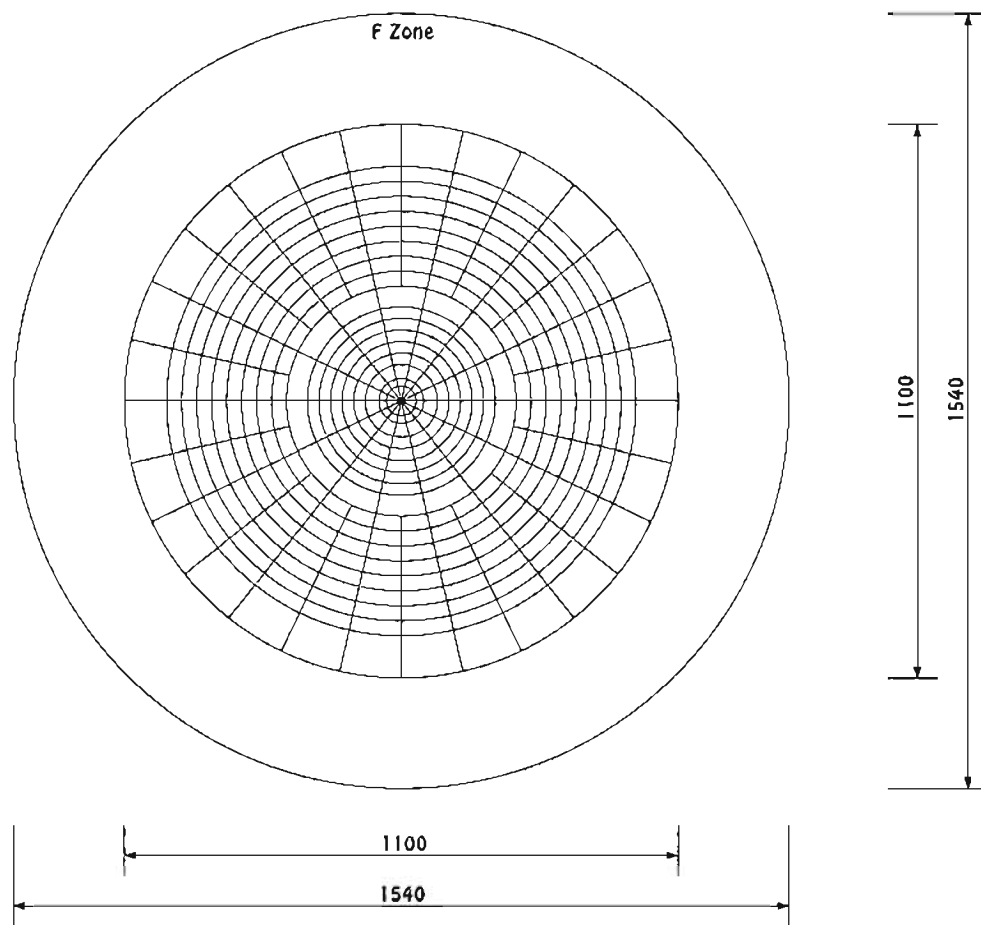
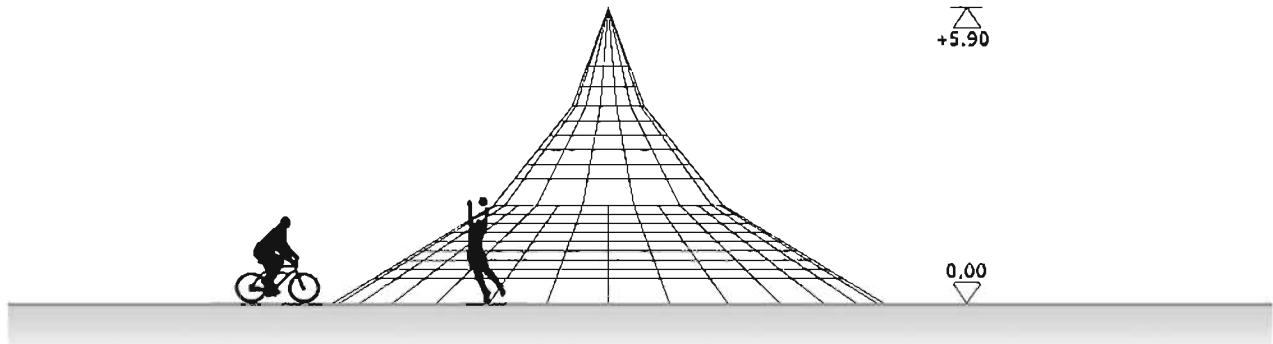
Free zone	96,00 m ²
Minimum space	1100 cm / 1100 cm
Maximum set dimension	800 / 800 / 430 cm
Free height of fall	140 cm
Surfacing: sand, gravel, bark, synthetic	



Cheops Maxi

5,9 m

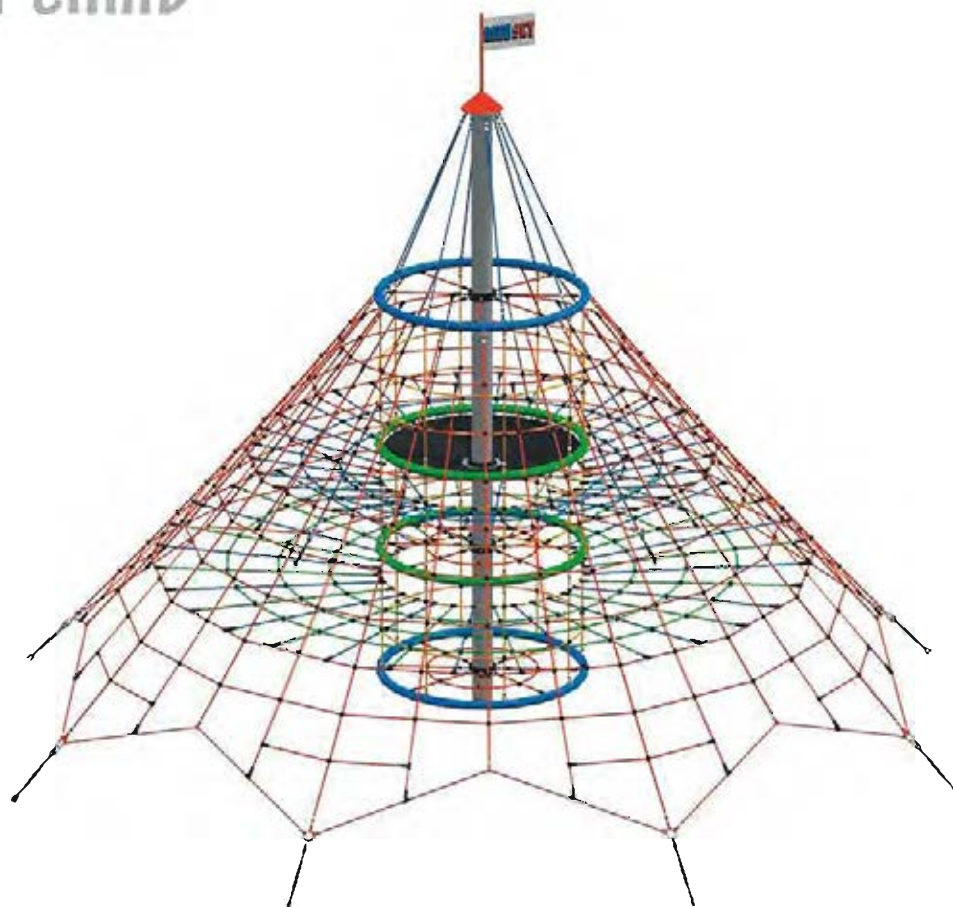


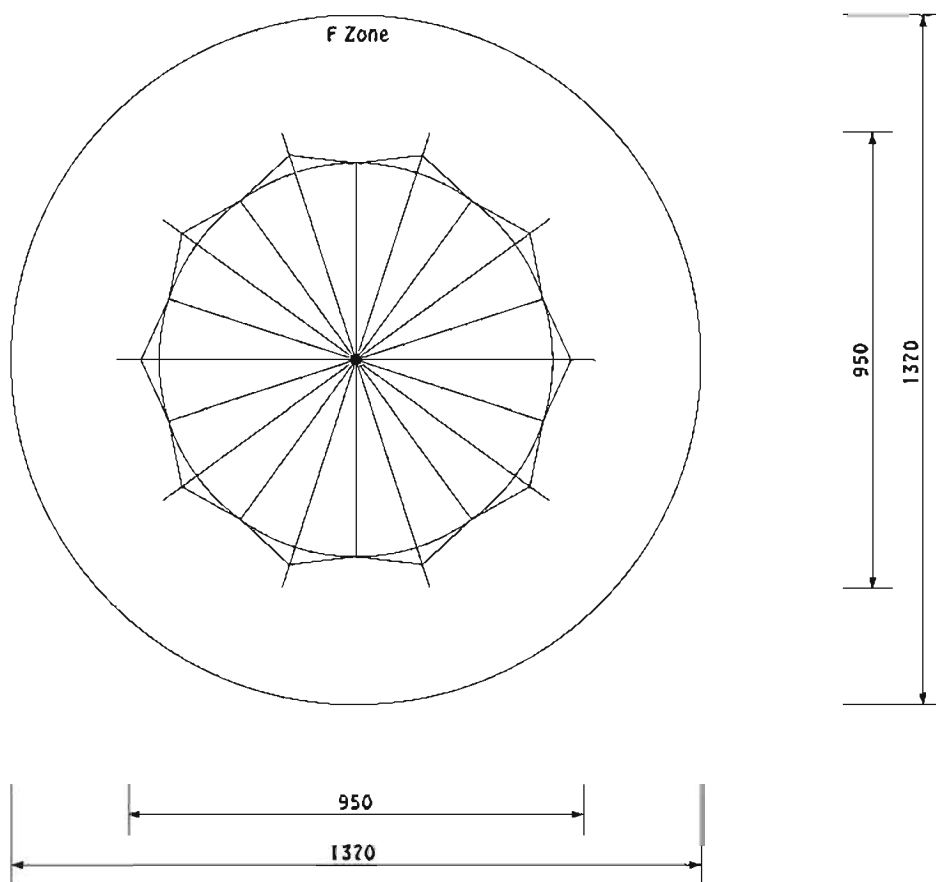
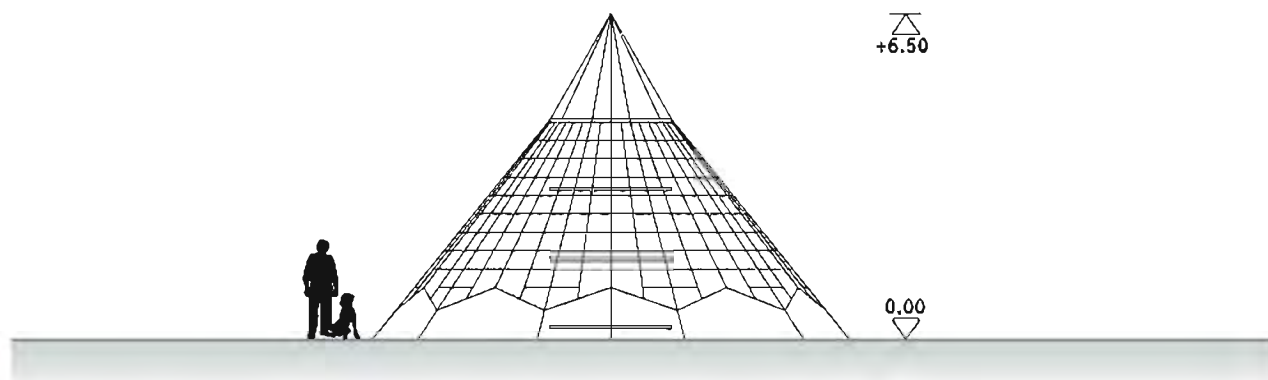


Free zone	186,50 m ²
Minimum space	1540 cm / 1540 cm
Maximum set dimension	1100 cm / 1100 cm / 590 cm (height)
Free height of fall	170 cm
Surfacing: sand, gravel, bark, synthetic	

DINO 1 climb

6,5 m





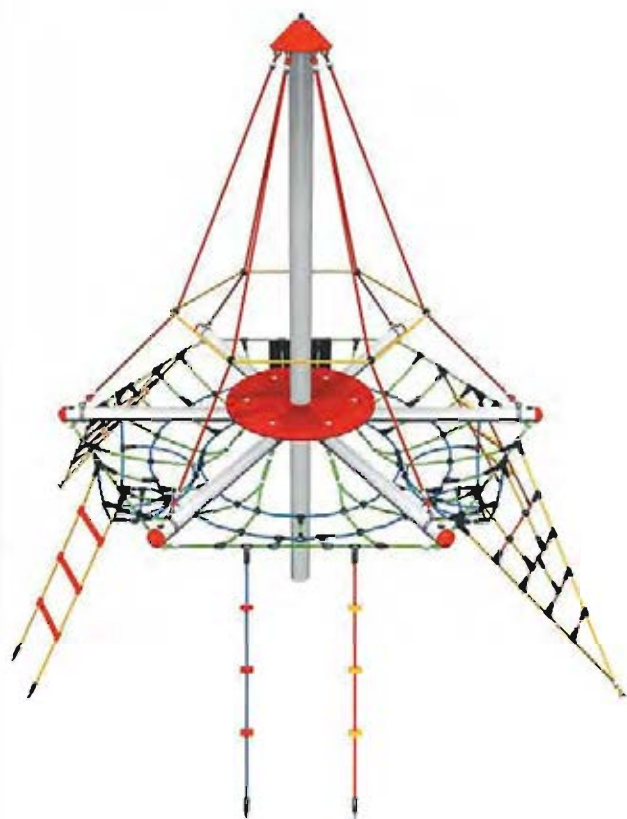
Free zone	147,50 m ²
Minimum space	1370 cm / 1370 cm
Maximum set dimension	950 cm / 950 cm / 650 cm (height)
Free height of fall	200 cm
Surfacing: sand, gravel, bark, synthetic	

Device non easily accessible, no age limit

Climb pyramid

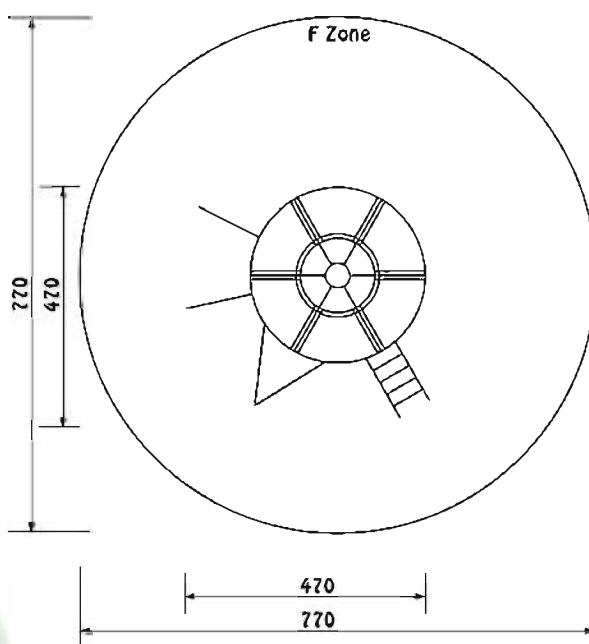
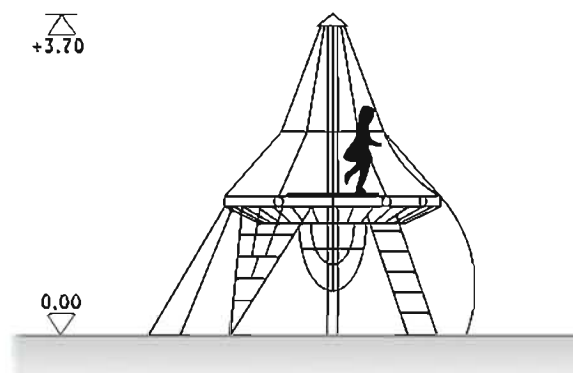
3,7m

4687-30



Free zone	59,29 m ²
Minimum space	770 cm / 770 cm
Maximum set dimension	470 / 470 / 370 cm
Free height of fall	180 cm
Surfacing:	sand, gravel, bark, synthetic

+3.70

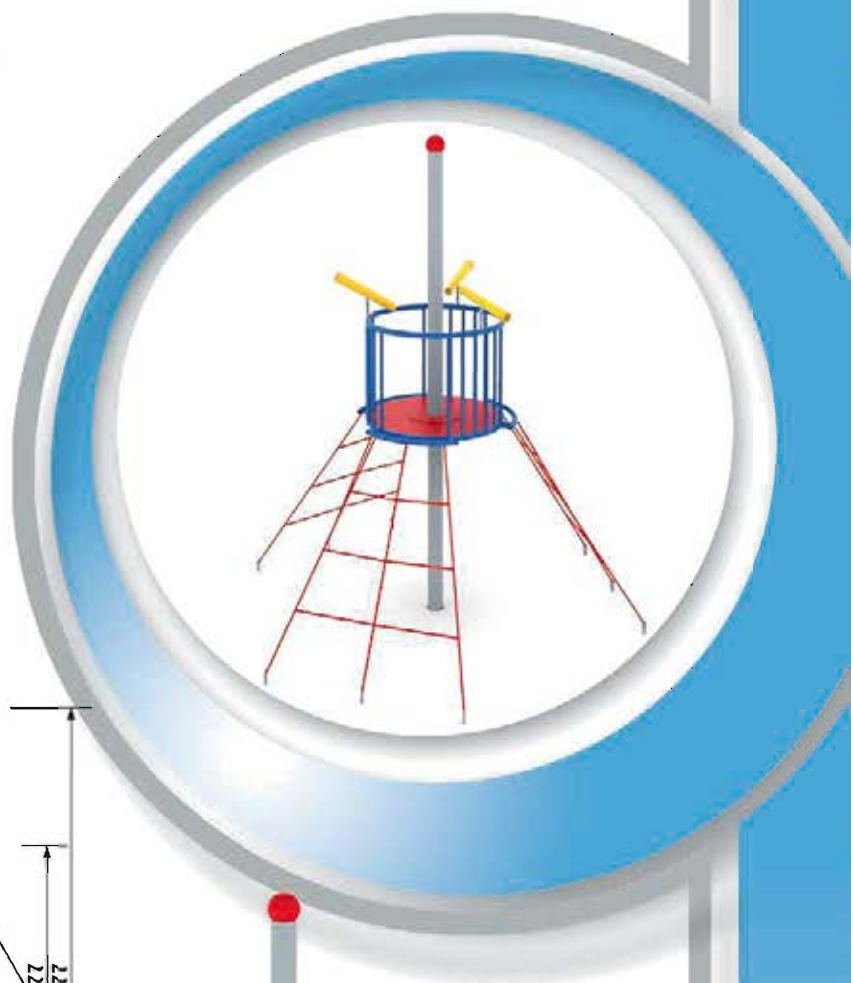
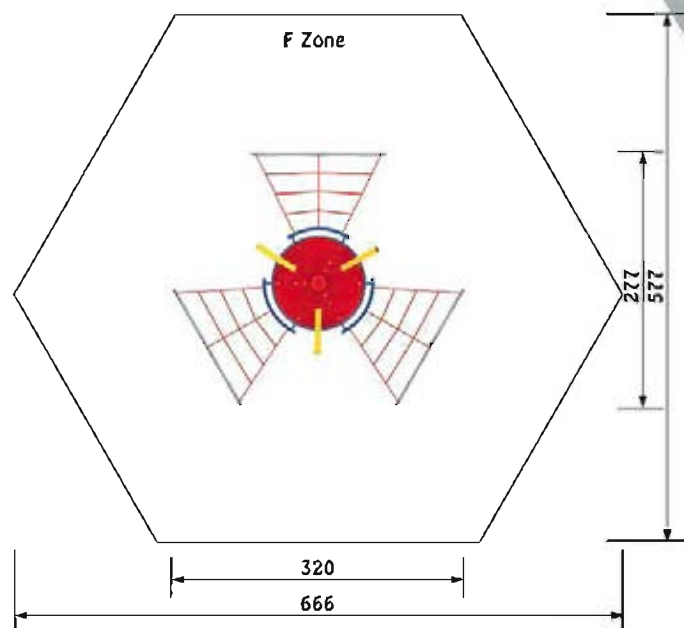
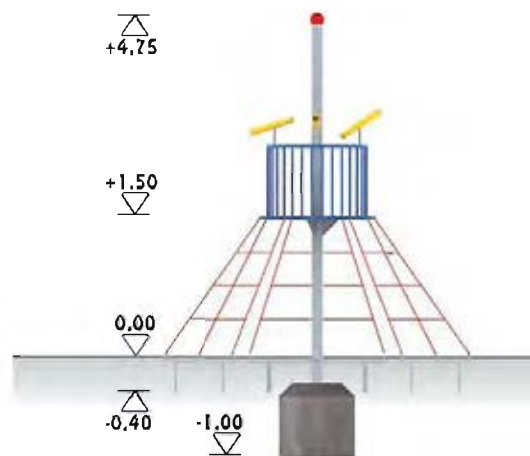


Device non easily accessible, no age limit

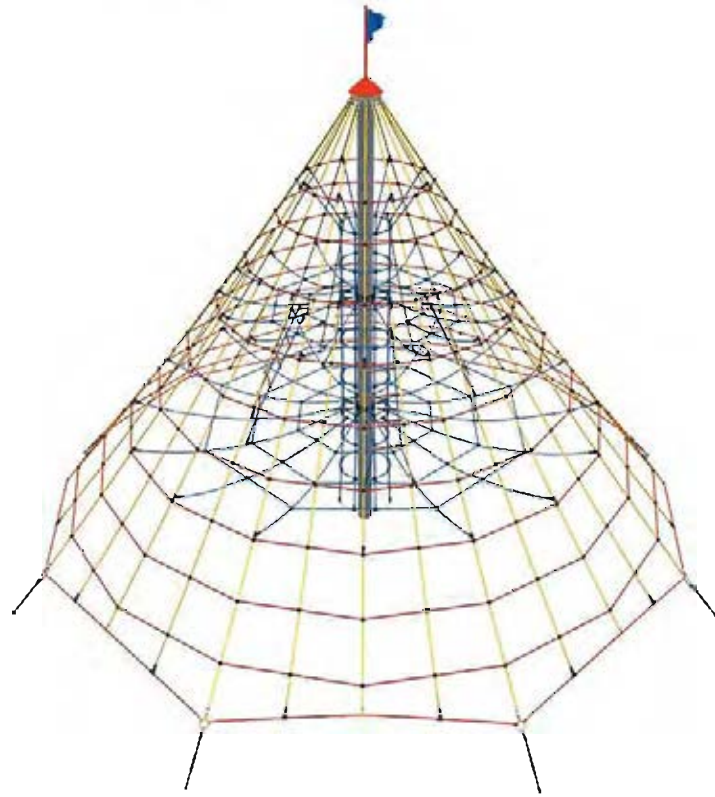
60056

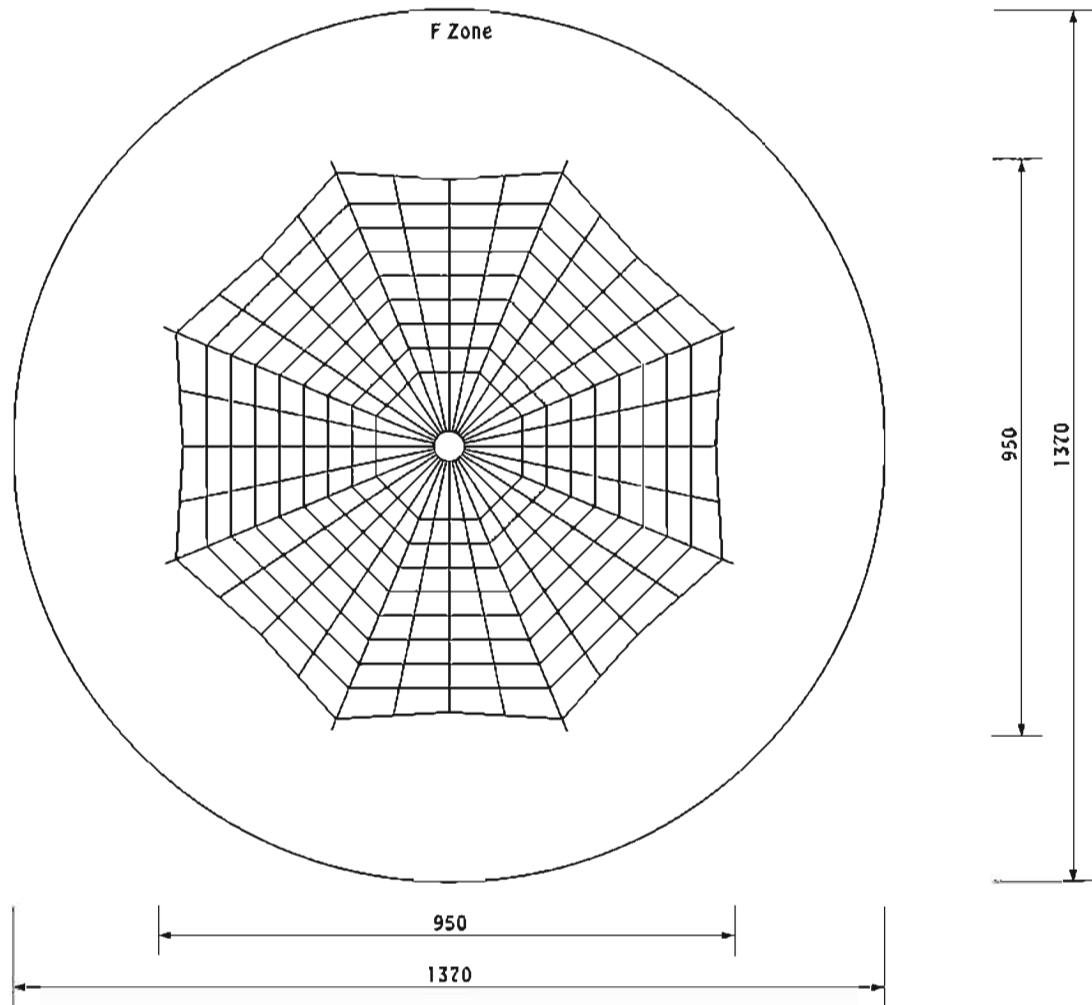
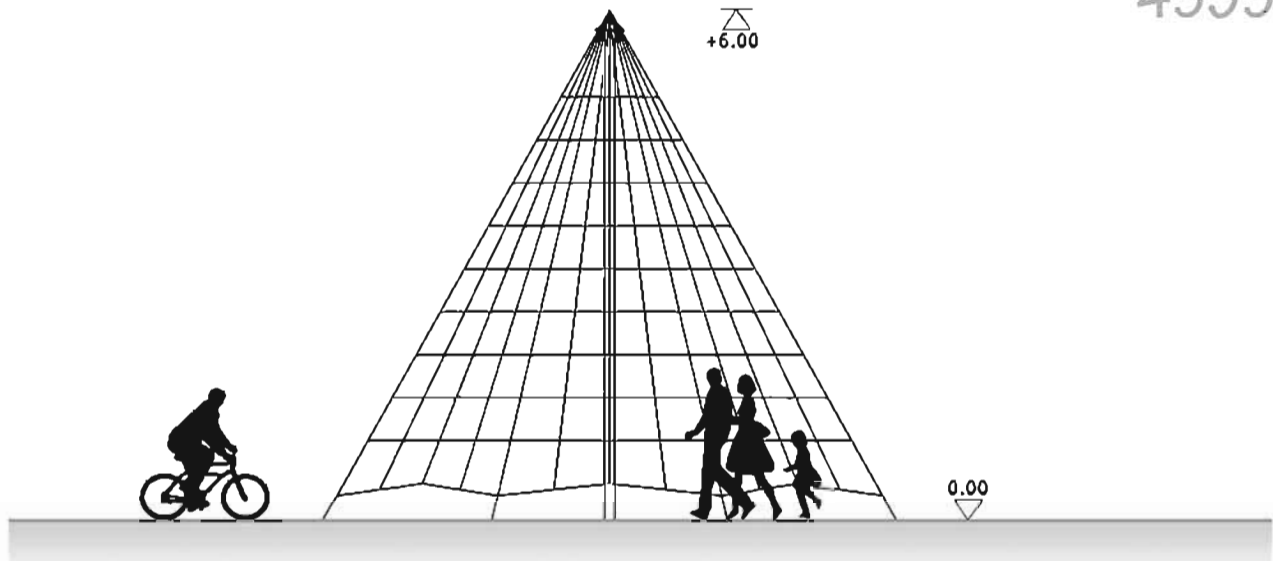
View tower

Free zone	28.80 m ²
Minimum space	666 cm / 577 cm
Maximum set dimension	320 / 277 / 475 cm
Free height of fall	150 cm
Surfacing: sand, gravel, bark, synthetic	



Climb pyramid 6,0m





Free zone	187,69 m ²
Minimum space	1370 cm / 1370 cm
Maximum set dimension	950 cm / 950 cm / 600 cm (height)
Free height of fall	200 cm
Surfacing: sand, gravel, bark, synthetic	

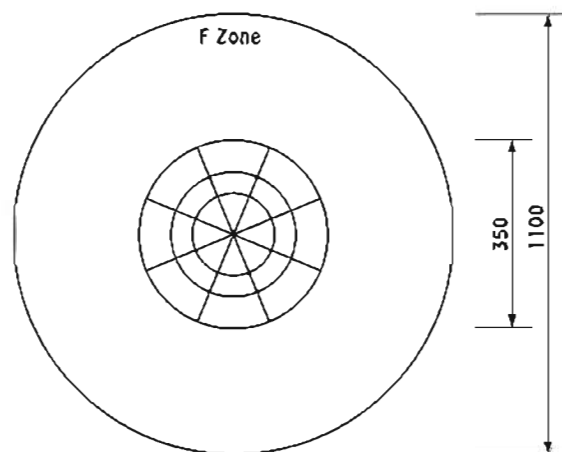
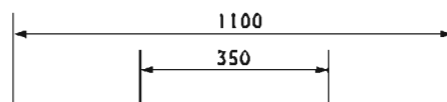
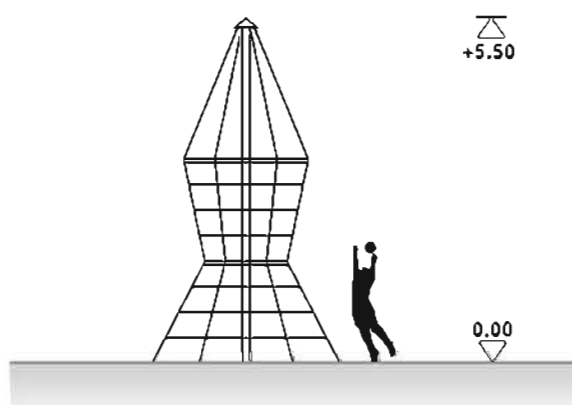
Device non easily accessible, no age limit

Sand clock

20.01.120



Free zone	121.00 m ²
Minimum space	1100 cm / 1100 cm
Maximum set dimension	350 / 350 / 550 cm
Free height of fall	300 cm
Surfacing: sand, gravel, bark, synthetic	

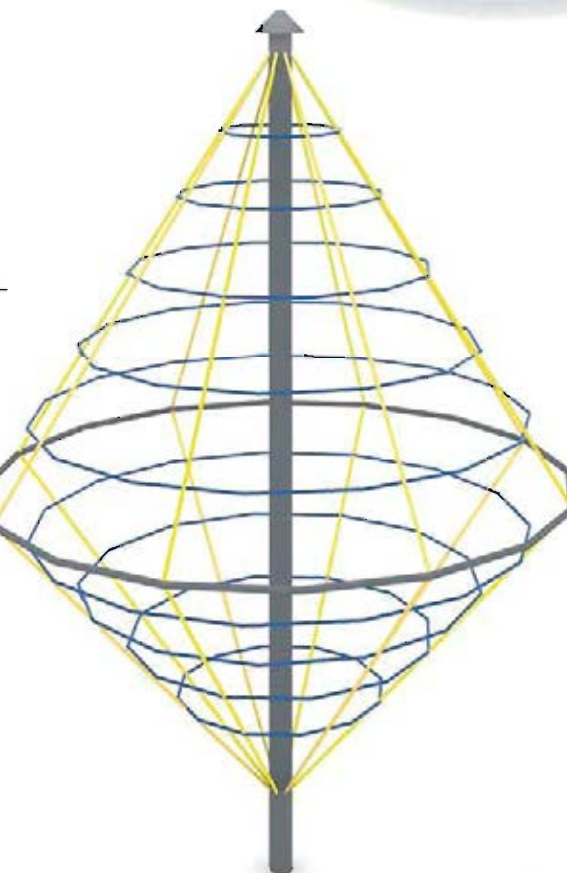
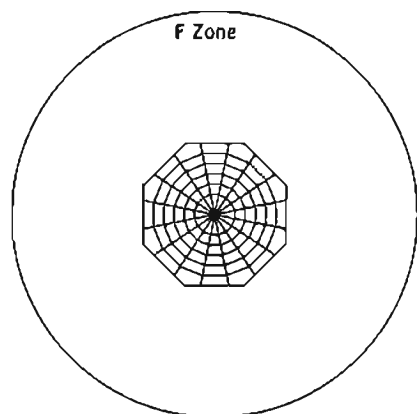
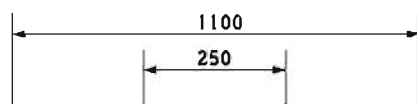
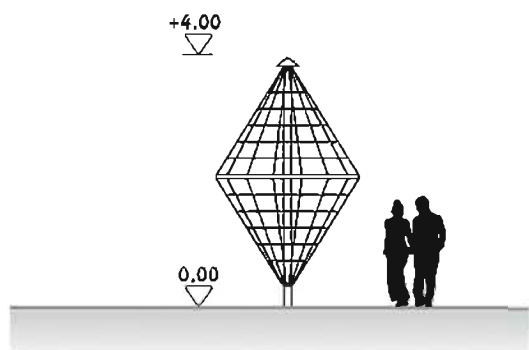


Device non easily accessible, no age limit

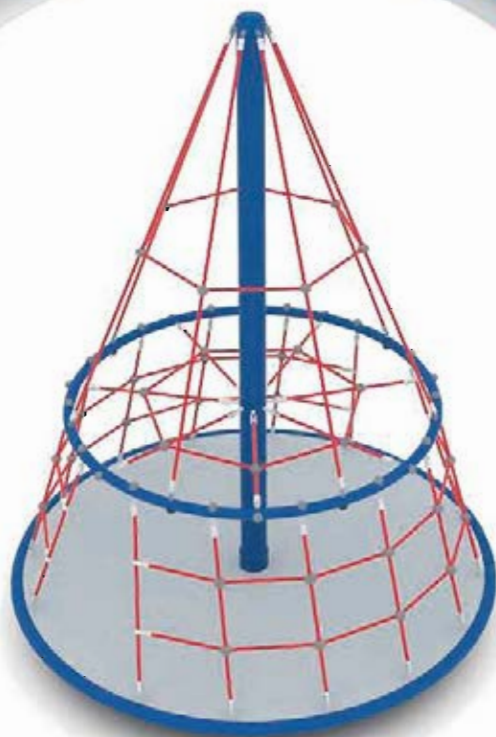
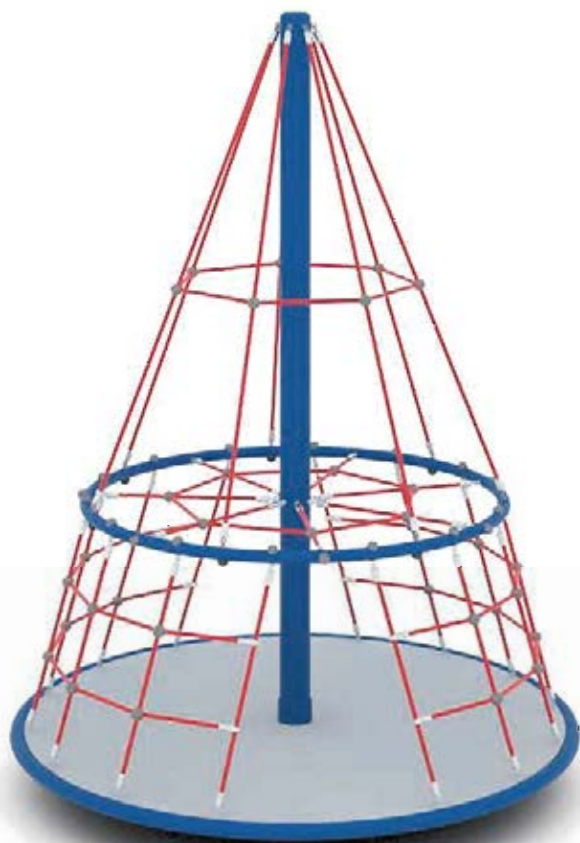
20.01.130

Turning Pyramid

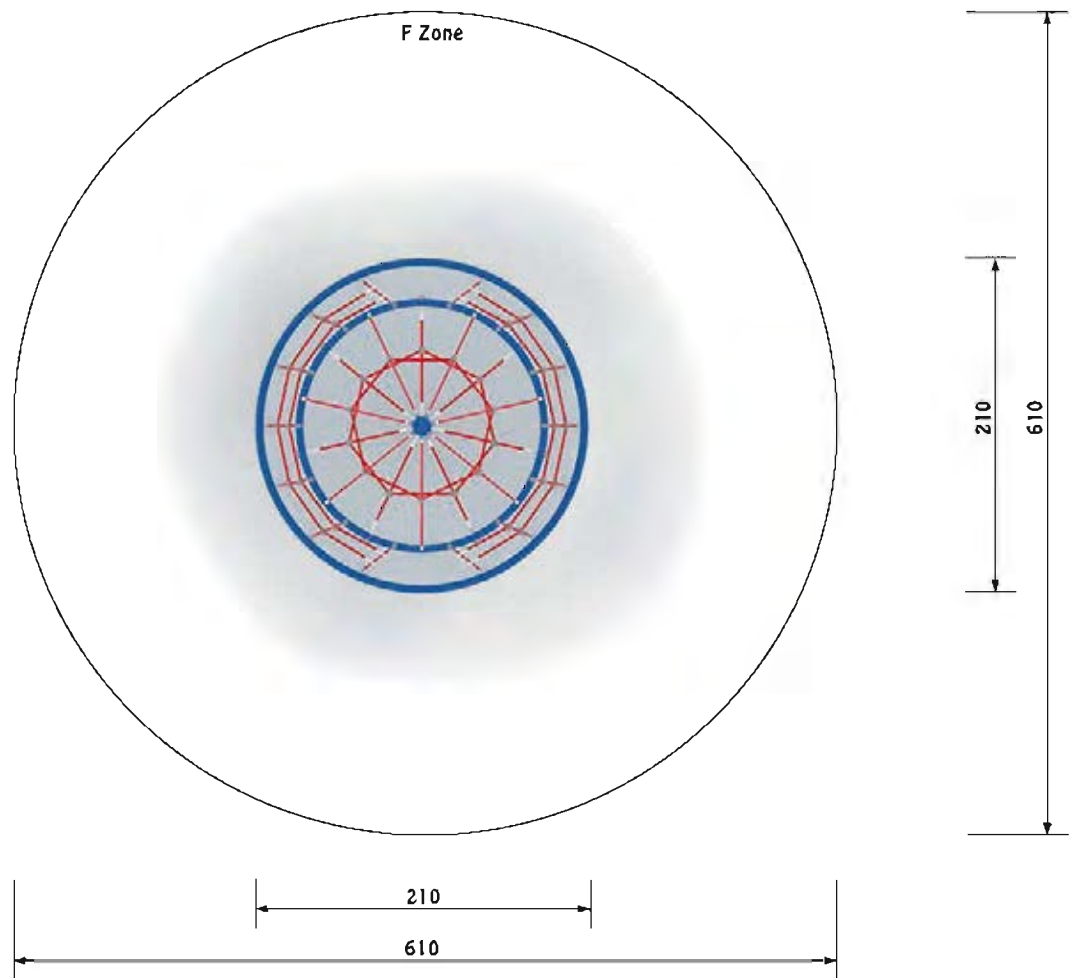
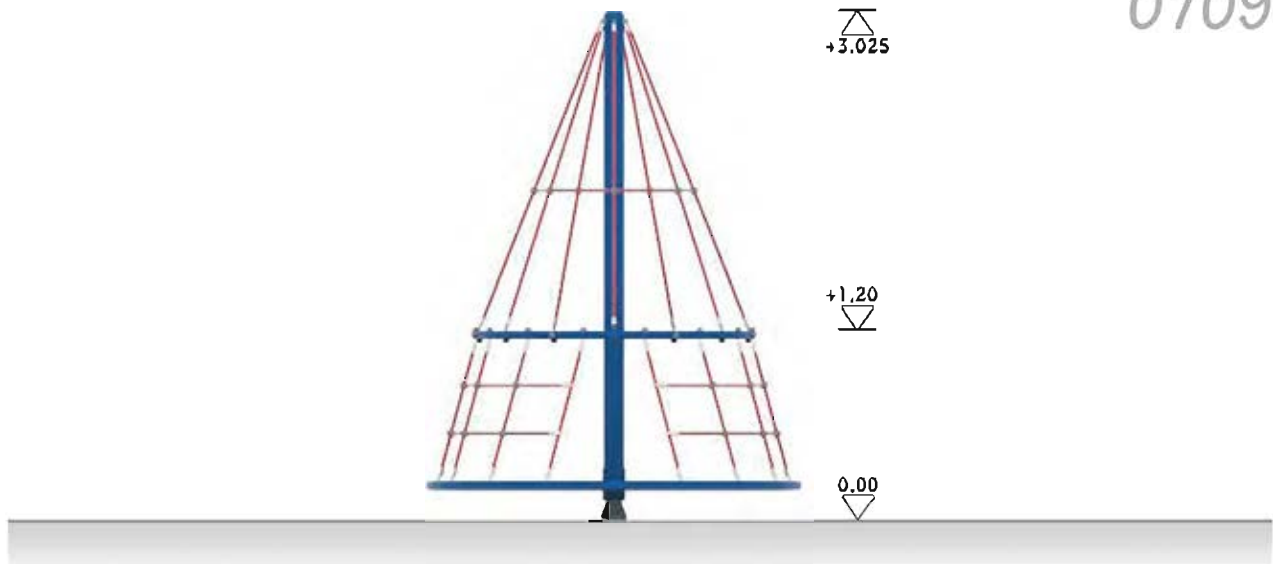
Free zone	121,00 m ²
Minimum space	1100 cm / 1100 cm
Maximum set dimension	250 / 250 / 400 cm
Free height of fall	300 cm
Surfacing: sand, gravel, bark, synthetic	



Turning pyramid Everest



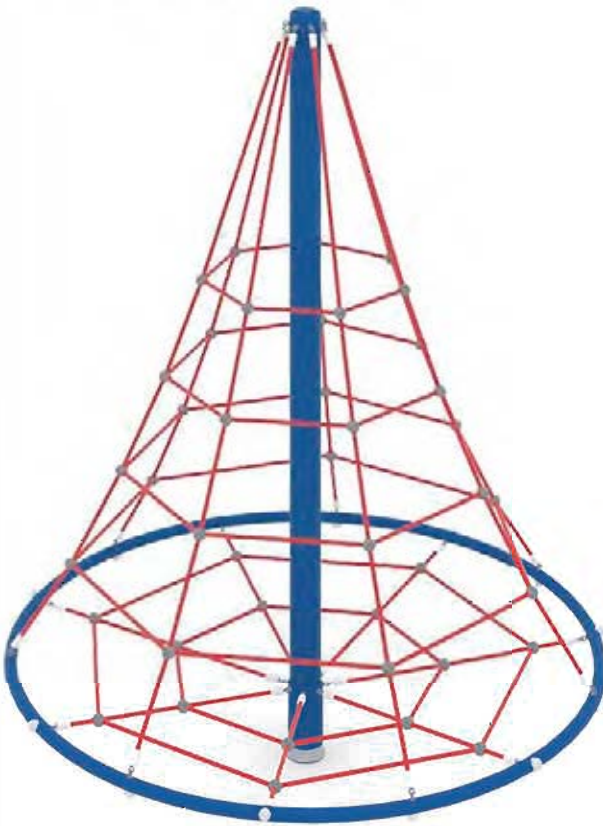
0709



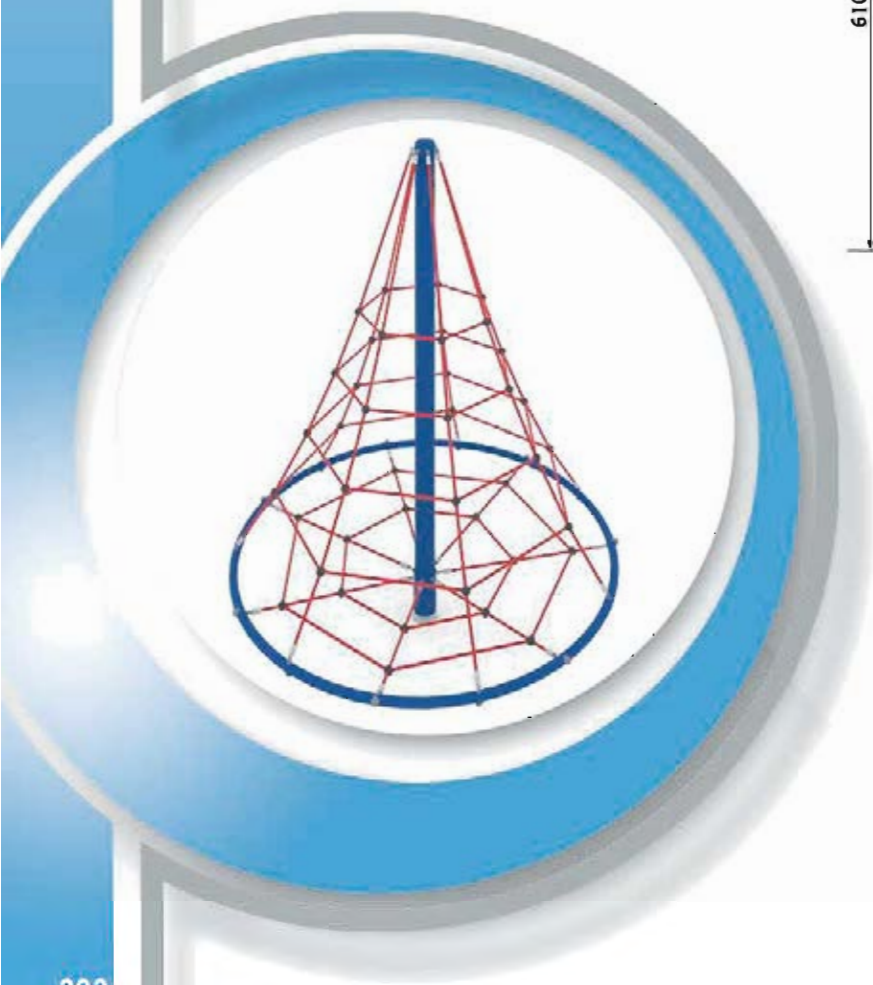
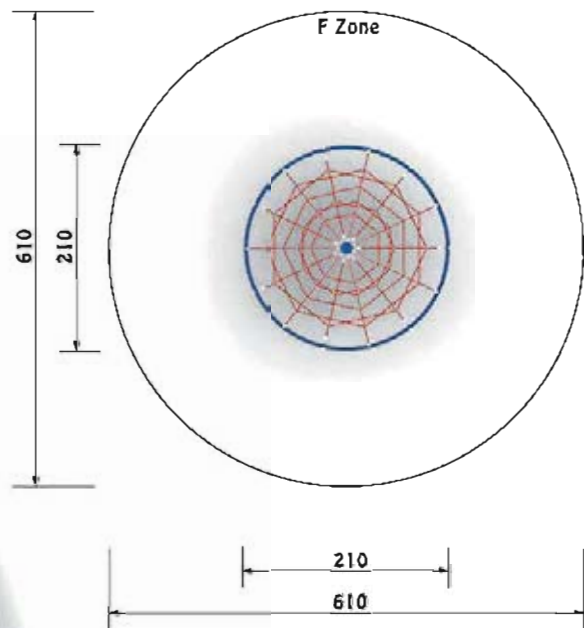
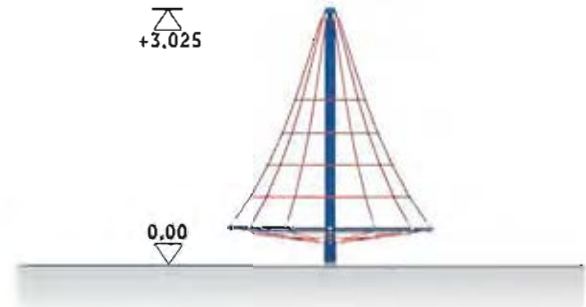
Free zone	29,22 m ²
Minimum space	610 cm / 610 cm
Maximum set dimension	210 cm / 210 cm / 302,5 cm (height)
Free height of fall	193 cm
Surfacing: sand, gravel, bark, synthetic	

Turning pyramid Mont Blanc

0704



Free zone	29,22 m ²
Minimum space	610 cm / 610 cm
Maximum set dimension	210 / 210 / 302,5 cm
Free height of fall	193 cm
Surfacing:	sand, gravel, bark, synthetic

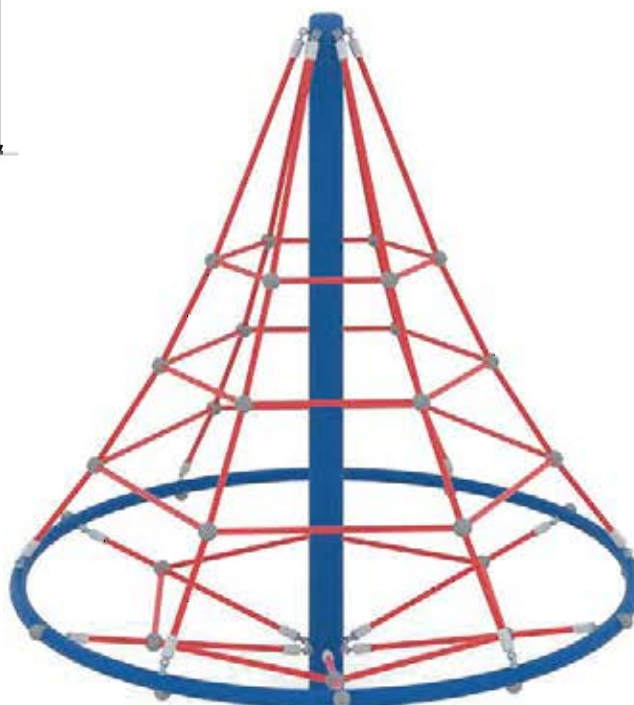
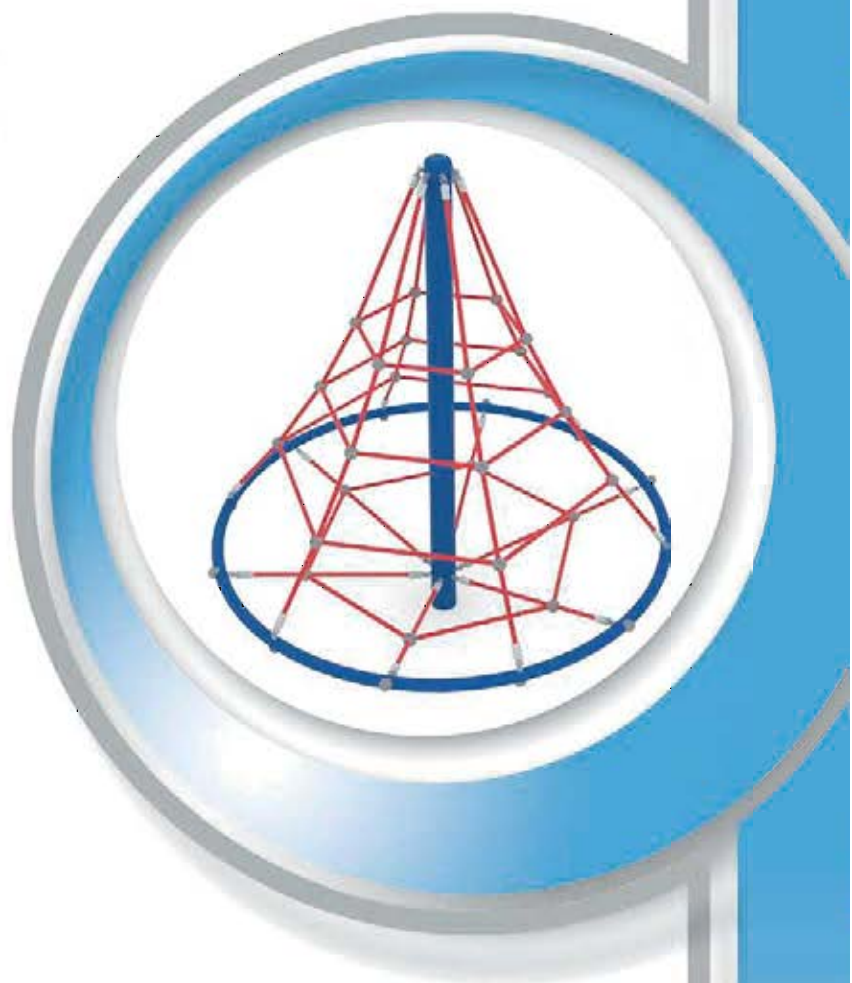
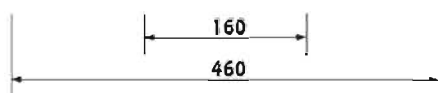
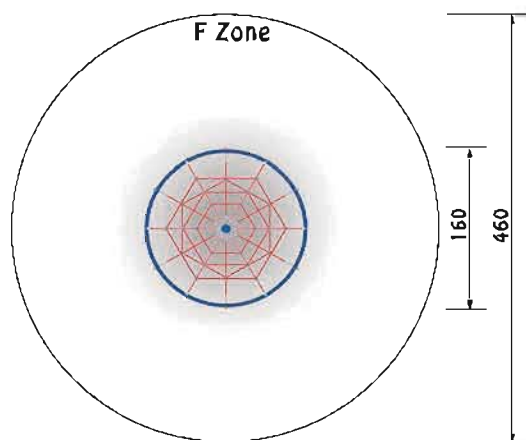
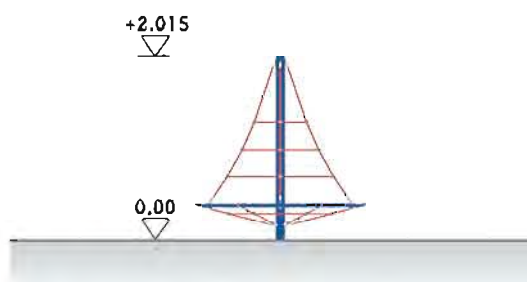


Device non easily accessible, no age limit

0701

Giewont climb

Free zone	16,62 m ²
Minimum space	460 cm / 460 cm
Maximum set dimension	160 / 160 / 201,5 cm
Free height of fall	133 cm
Surfacing: sand, gravel, bark, synthetic	





Sport and Wellness Sets

Fitness trail for youth and adults p. 206

50001	Hurdle Race		p. 206
50002	Balance Beam		p. 207
50003	Fitness (6 pieces)		p. 208
50014	Dexterity Stakes		p. 209
50005	Pull-up set		p. 210
50006	Vertical Ladder		p. 211
50008	Weist stretcher		p. 212
50009	Parallel bars		p. 213
50010	Moving bridge		p. 214
50011	Push-up set		p. 215

Fitness sets p. 216

30022	Dexterity set	(Device non easily accessible, no age limit)	p. 216
30016	Multifunction hexagon	(Device non easily accessible, no age limit)	p. 217
30015	Fitness polygon	(Device non easily accessible, no age limit)	p. 218
60010	Spider	(Device non easily accessible, no age limit)	p. 219

Climbing walls p. 220

10049	Small climbing wall	(Device non easily accessible, no age limit)	p. 220
30039	Big climbing wall	(Device non easily accessible, no age limit)	p. 221
MDD-001/2	Bouldering climbing wall	(Device non easily accessible, no age limit)	p. 222
MDD-003E	Elephant climbing wall	(Device non easily accessible, no age limit)	p. 223
60052	climbing wall Aztec Adventure Vertical 2	(Device non easily accessible, no age limit)	p. 224
60053	climbing wall Aztec Adventure Vertical 3	(Device non easily accessible, no age limit)	p. 225
60054	climbing wall Aztec Adventure Vertical 4	(Device non easily accessible, no age limit)	p. 226
60055	climbing wall Aztec Adventure Horizontal 4	(Device non easily accessible, no age limit)	p. 227

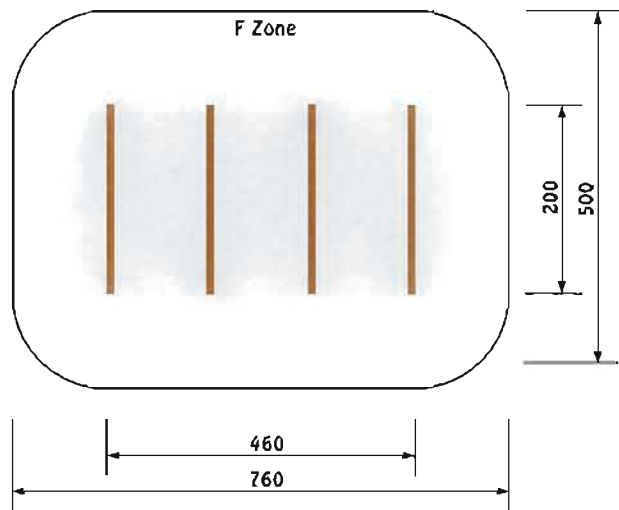
Sport equipment p. 228

3200	Concrete Ping Pong table	to dig in	p. 228
3250	Concrete Ping Pong table	to put up	p. 228
4111	Concrete Chess or Ludo table	(to be fixed in the ground)	p. 229
4151	Concrete Chess or Ludo table	(to put directly on the ground)	p. 229
TS-8437	Fitness Shoulders		p. 230
TS-8444	Fitness Stepper		p. 231
TS-8453	Fitness Walker		p. 232
TS-8496	Fitness Hips		p. 233
60051	Basketball board		p. 234
30020	Playground rules	on wooden legs	p. 235
30020_M	Playground rules	on metal leg	p. 235
7001	metal Playground rules		p. 235

Hurdle race

50001

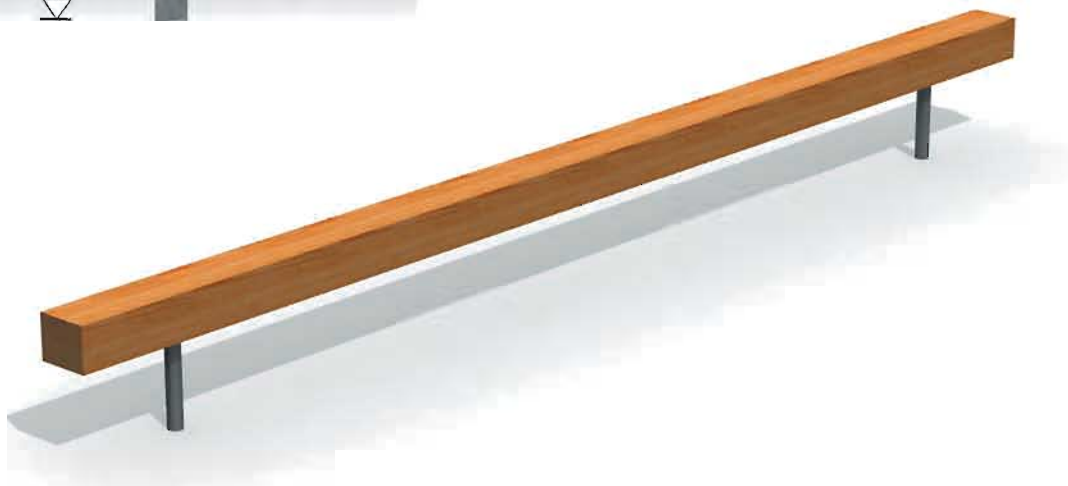
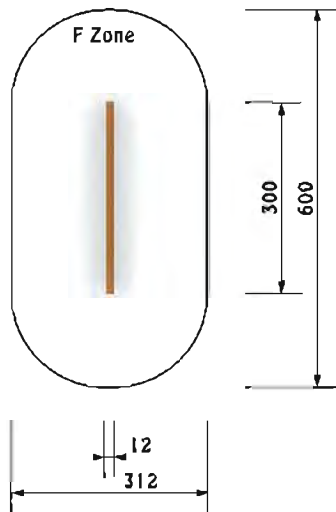
Free zone	36,06 m ²
Minimum space	760 cm / 500 cm
Maximum set dimension	460 / 200 / 90 cm
Weight	172 kg
Surfacing: sand, gravel, bark, synthetic, grass	
Free height of fall	90 cm



50002

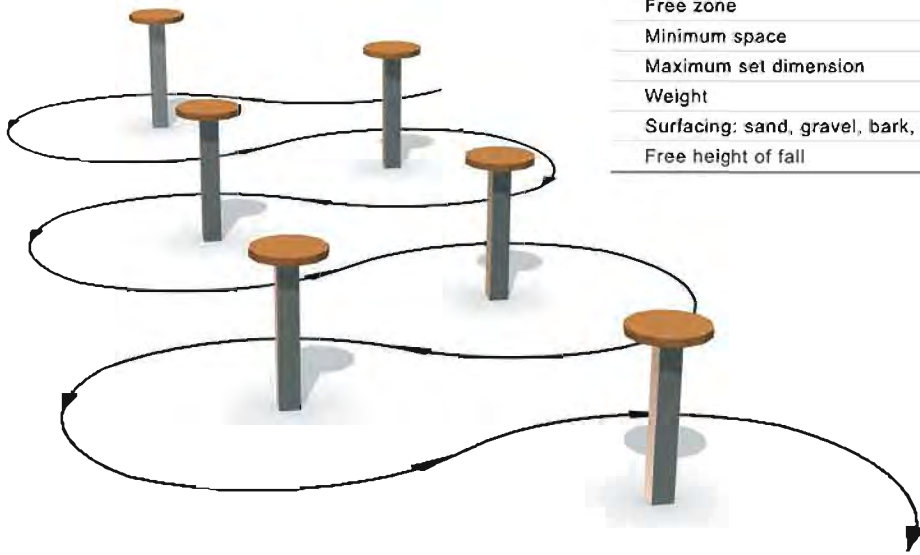
Balance Beam

Free zone	16,78 m ²
Minimum space	600 cm / 312 cm
Maximum set dimension	300 / 12 / 35 cm
Weight	42 kg
Surfacing: sand, gravel, bark, synthetic, grass	
Free height of fall	35 cm

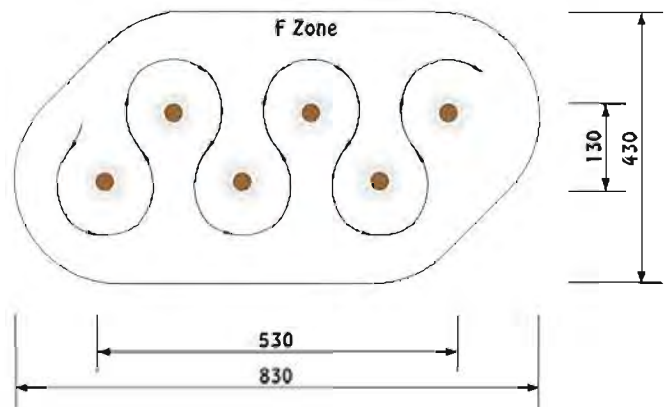


Fitness (6 pieces)

50003



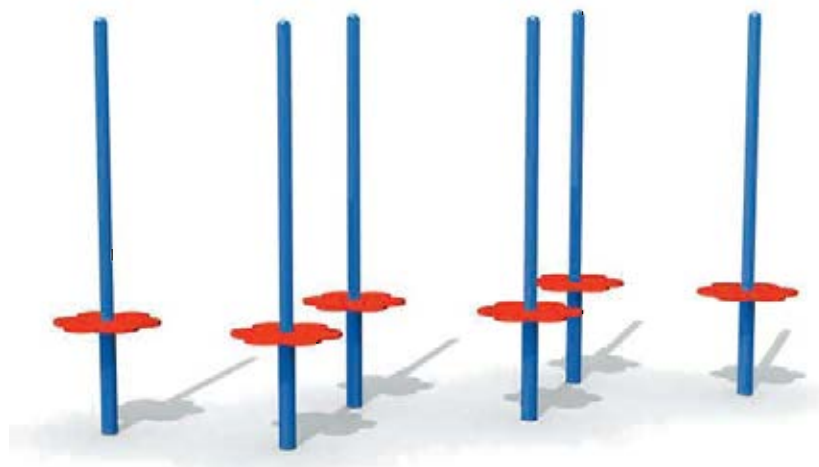
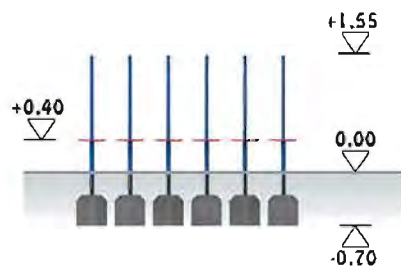
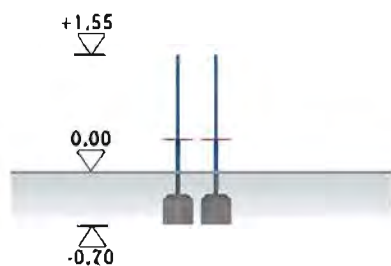
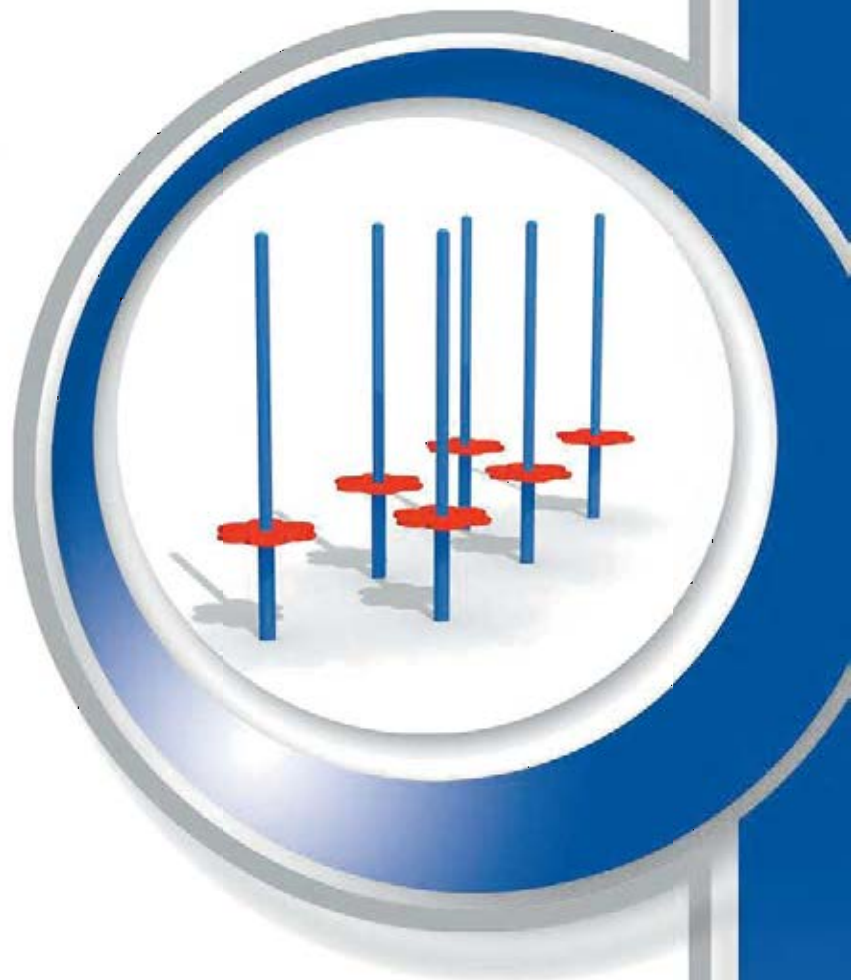
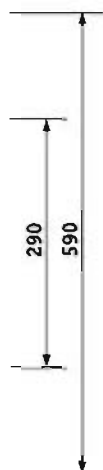
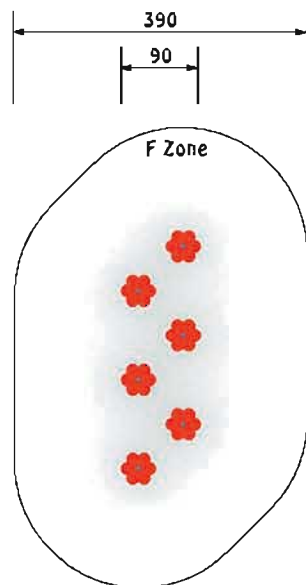
Free zone	30,50 m ²
Minimum space	830 cm / 430 cm
Maximum set dimension	530 / 130 / 60 cm
Weight	216 kg
Surfacing: sand, gravel, bark, synthetic, grass	
Free height of fall	60 cm



50014

Dexterity Stakes

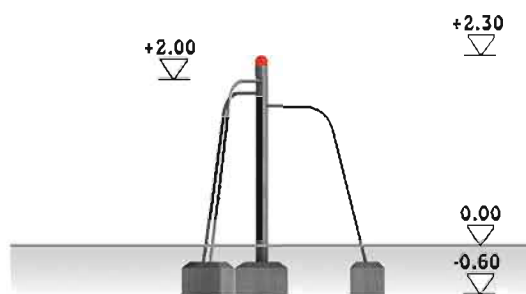
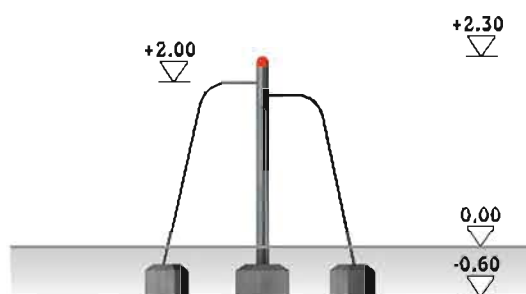
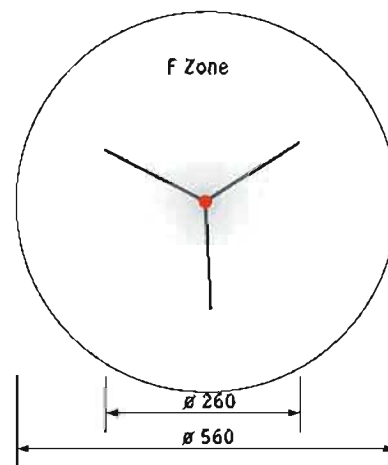
Free zone	19,27 m ²
Minimum space	590 cm / 390 cm
Maximum set dimension	290 / 90 / 155 cm
Weight	193 kg
Surfacing: sand, gravel, bark, synthetic, grass	
Free height of fall	40 cm



Pull-up set

50005

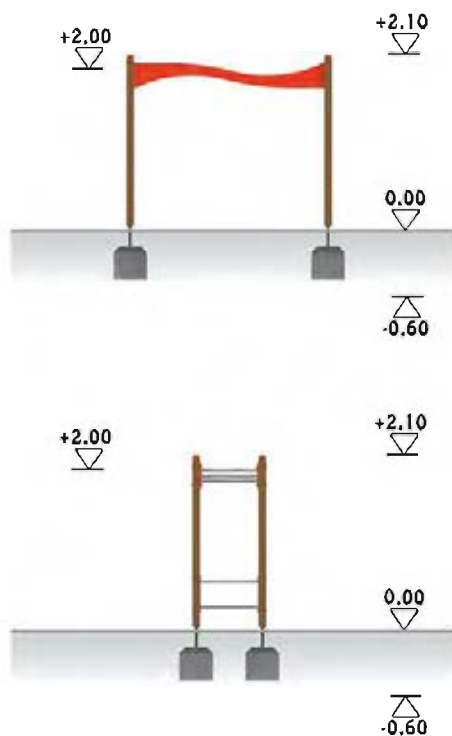
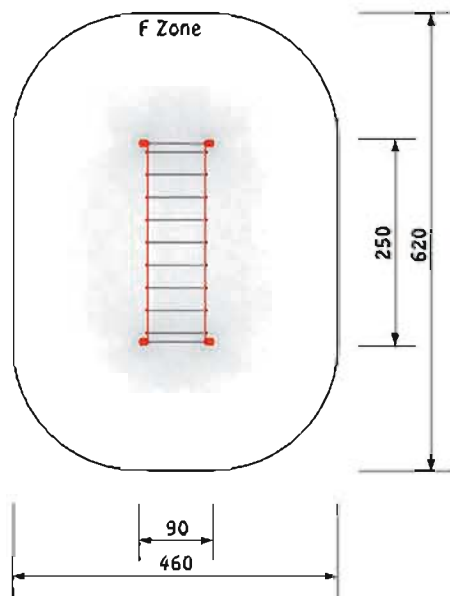
Free zone	24,63 m ²
Minimum space	560 cm / 560 cm
Maximum set dimension	260 / 260 / 230 cm
Weight	134 kg
Surfacing: sand, gravel, bark, synthetic	
Free height of fall	200 cm



50006

Vertical Ladder

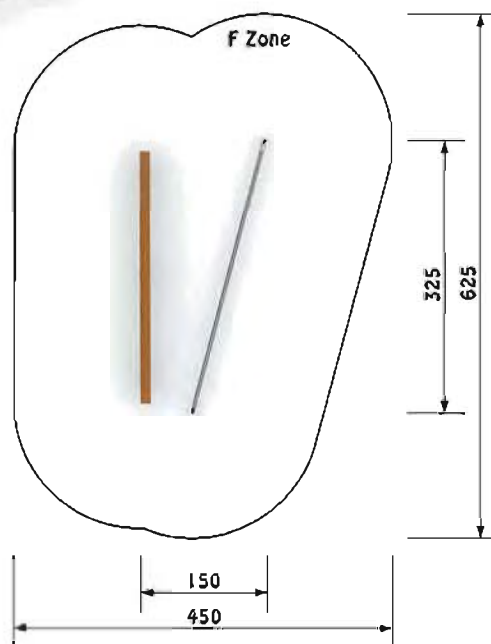
Free zone	26,59 m ²
Minimum space	620 cm / 460 cm
Maximum set dimension	250 / 90 / 210 cm
Weight	134 kg
Surfacing: sand, gravel, bark, synthetic	
Free height of fall	200 cm



Waist stretcher

50008

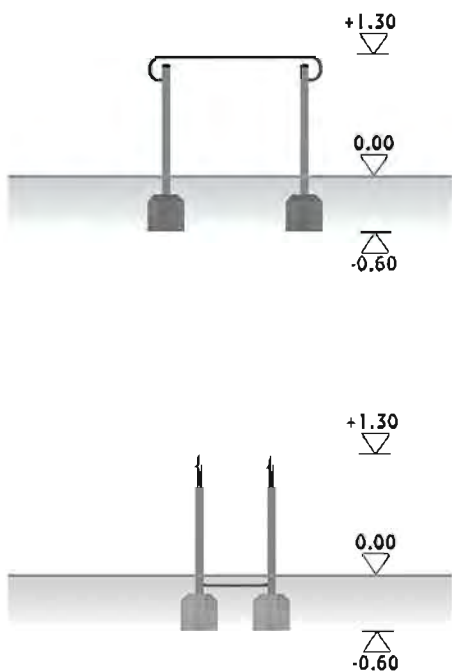
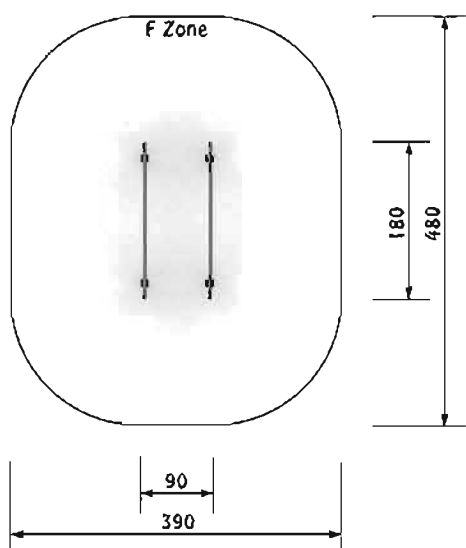
Free zone	23,10 m ²
Minimum space	625 cm / 450 cm
Maximum set dimension	325 / 150 / 40 cm
Weight	37 kg
Surfacing: sand, gravel, bark, synthetic, grass	
Free height of fall	40 cm



50009

Parallel bars

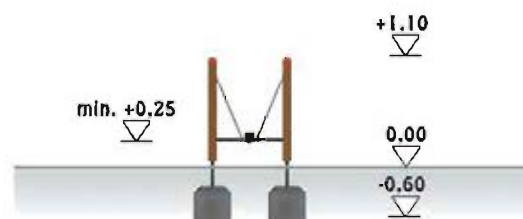
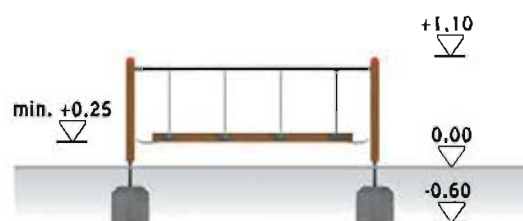
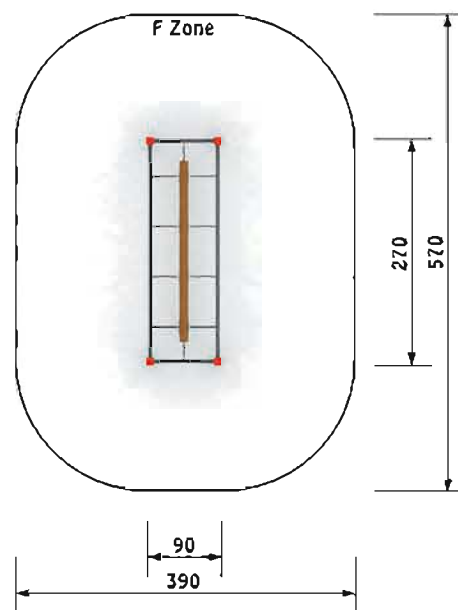
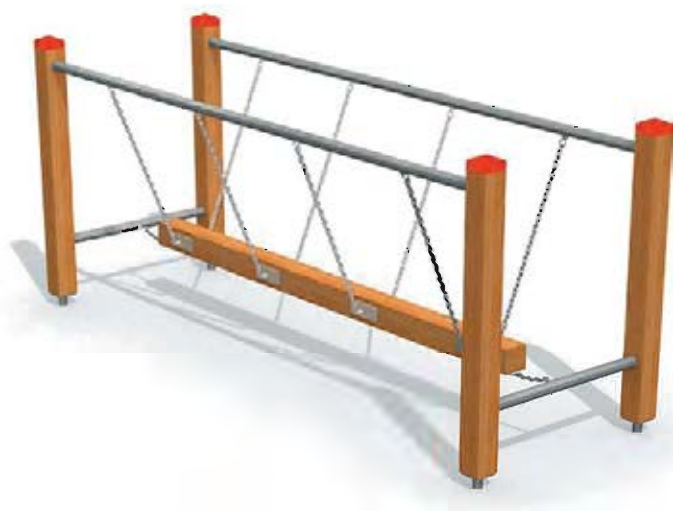
Free zone	16,69 m ²
Minimum space	480 cm / 390 cm
Maximum set dimension	180 / 90 / 130 cm
Weight	72 kg
Surfacing: sand, gravel, bark, synthetic	
Free height of fall	130 cm



Moving bridge

50010

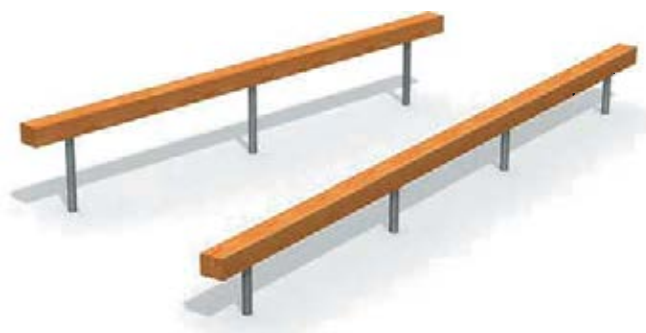
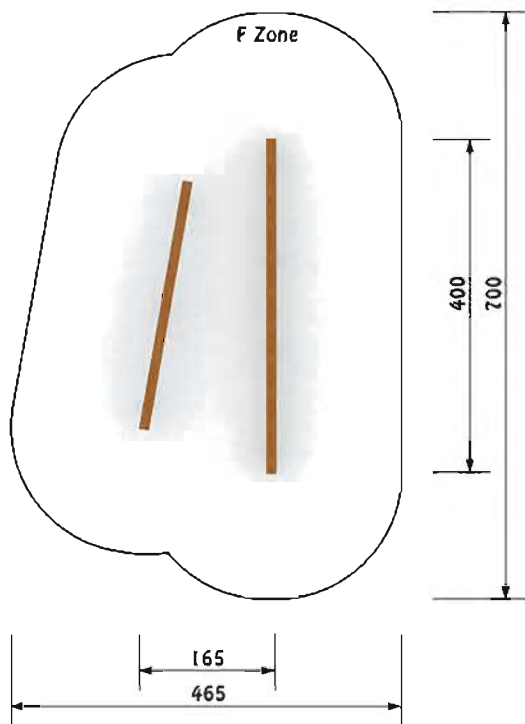
Free zone	20,30 m ²
Minimum space	570 cm / 390 cm
Maximum set dimension	270 / 90 / 110 cm
Weight	85 kg
Surfacing: sand, gravel, bark, synthetic, grass	
Free height of fall	40 cm



50011

Push-up set

Free zone	26,81 m ²
Minimum space	700 cm / 465 cm
Maximum set dimension	400 / 165 / 50 cm
Weight	44 kg
Surfacing: sand, gravel, bark, synthetic, grass	
Free height of fall	50 cm



Dexterity set

30022

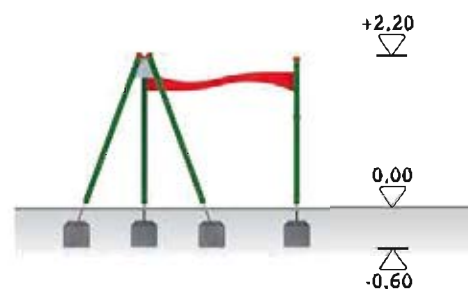
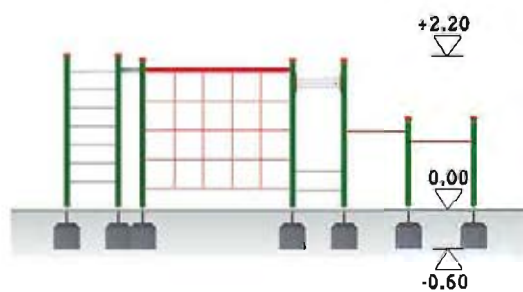
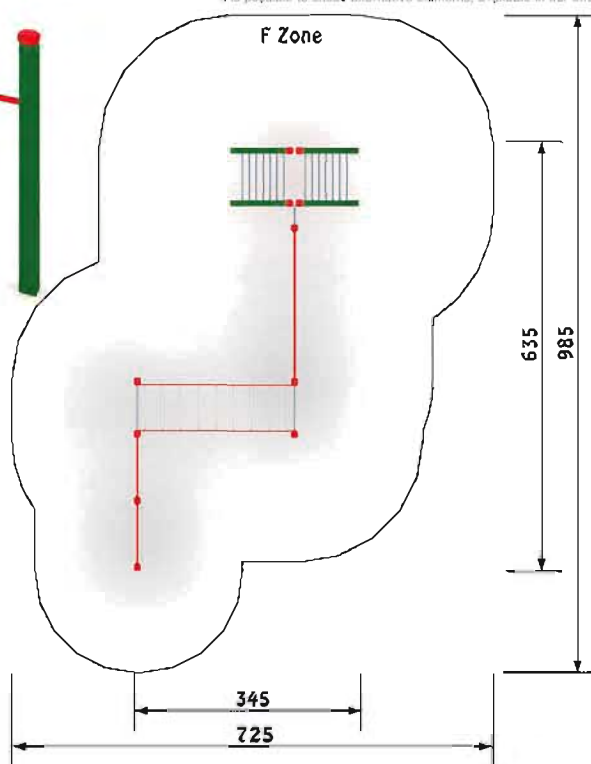


Free zone	50,98 m ²
Minimum space	985 cm / 725 cm
Maximum set dimension	635 / 345 / 235 cm
Weight	460 kg
Surfacing: sand, gravel, bark, synthetic	
Free height of fall	220 cm

The set consists of:

- climbing rope	1 pc
- big horizontal ladder	1 pc
- slanting ladder	1 pc
- big duo somersault height 105 cm & 120 cm	1 pc

*It is possible to choose alternative elements, available in our offer



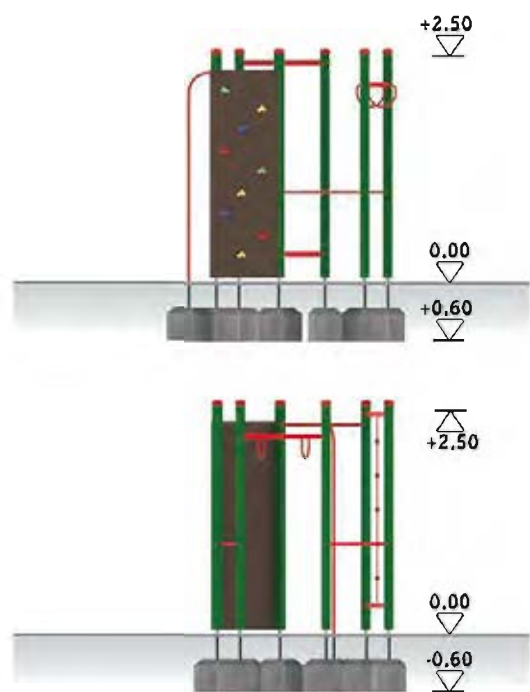
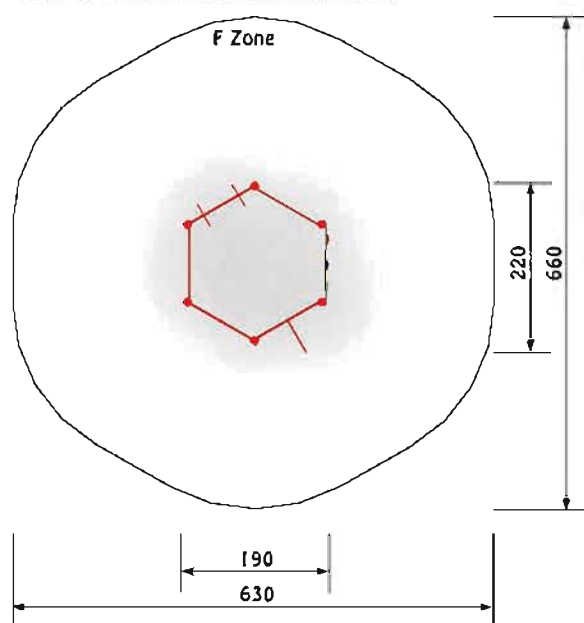
Device non easily accessible, no age limit

30016

Multifunction hexagon

Free zone	32,80 m ²
Minimum space	660 cm / 630 cm
Maximum set dimension	190 / 220 / 260 cm
Weight	190 kg
Surfacing: sand, gravel, bark, synthetic	
Free height of fall	250 cm
The set consists of*:	
- hexagonal tower with no roof	1 pc
- climbing wall	1 pc
- handles	1 pc
- fireman pipe	1 pc
- somersault	1 pc
- climbing rope	1 pc

*It is possible to chose alternative elements, available in our offer

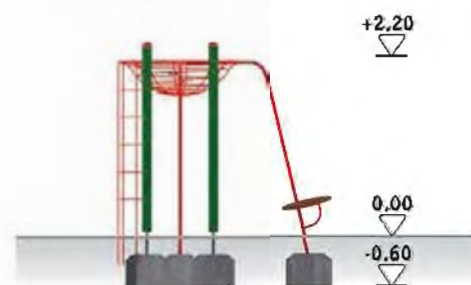
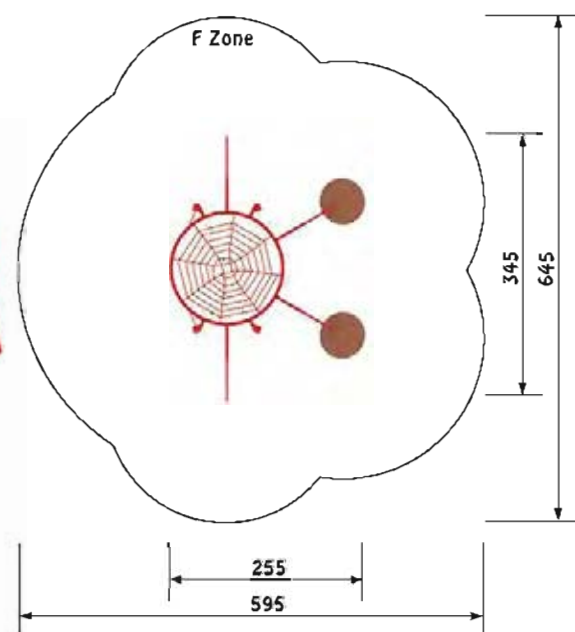


Device non easily accessible, no age limit

Fitness polygon

30015

Free zone	29,22 m ²
Minimum space	645 cm / 595 cm
Maximum set dimension	345 / 255 / 230 cm
Weight	420 kg
Surfacing: sand, gravel, bark, synthetic	
Free height of fall	220 cm

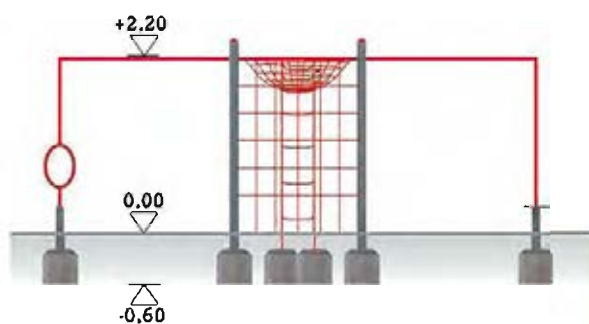
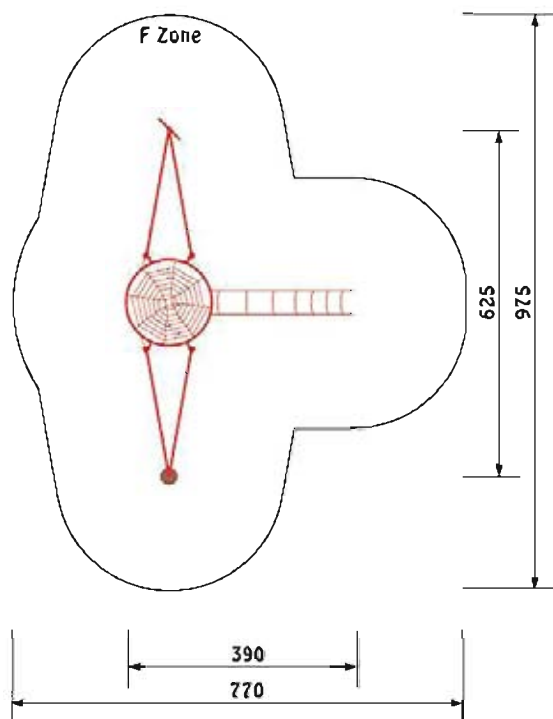


Device non easily accessible, no age limit

60010

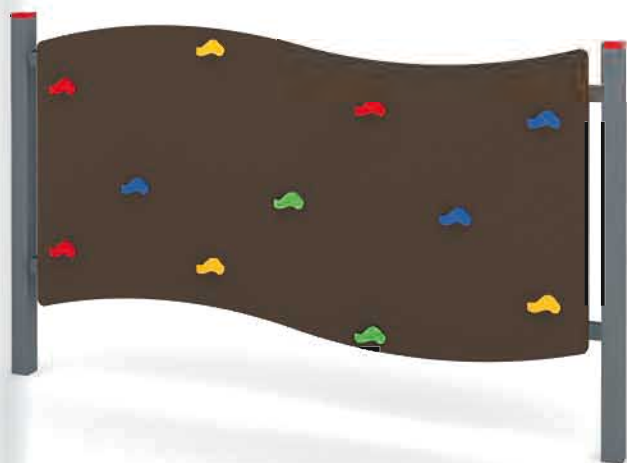
Spider

Free zone	48,23 m ²
Minimum space	975 cm / 770 cm
Maximum set dimension	625 / 390 / 230 cm
Weight	230 kg
Surfacing: sand, gravel, bark, synthetic	
Free height of fall	220 cm

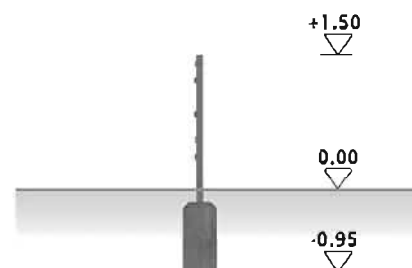
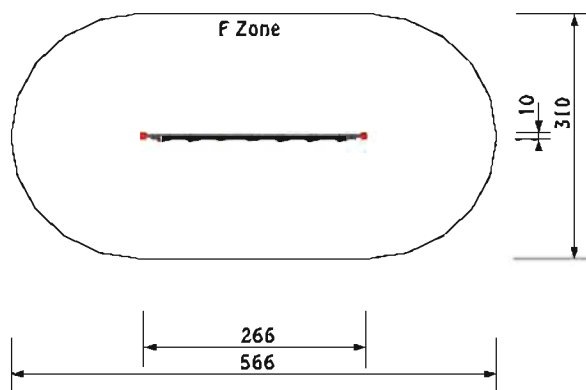


Small climbing wall

10049



Free zone	17,43 m ²
Minimum space	310 cm / 566 cm
Maximum set dimension	10 / 266 / 150 cm
Weight	60 kg
Surfacing: sand, gravel, bark, synthetic	
Free height of fall	150 cm

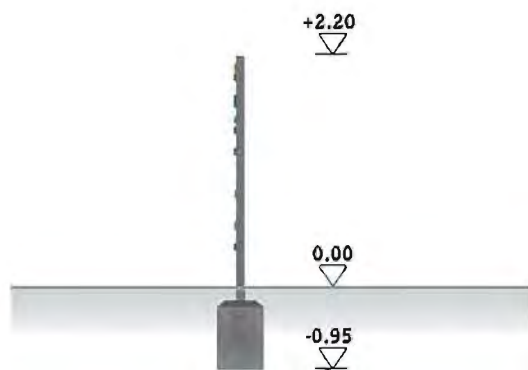
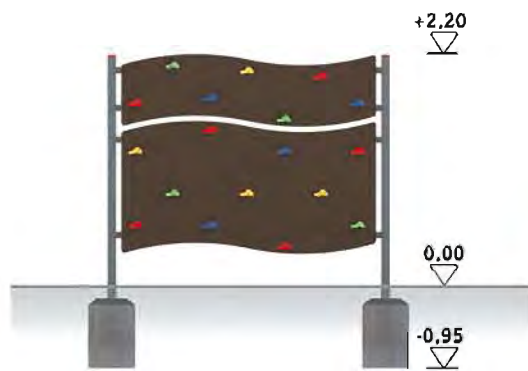
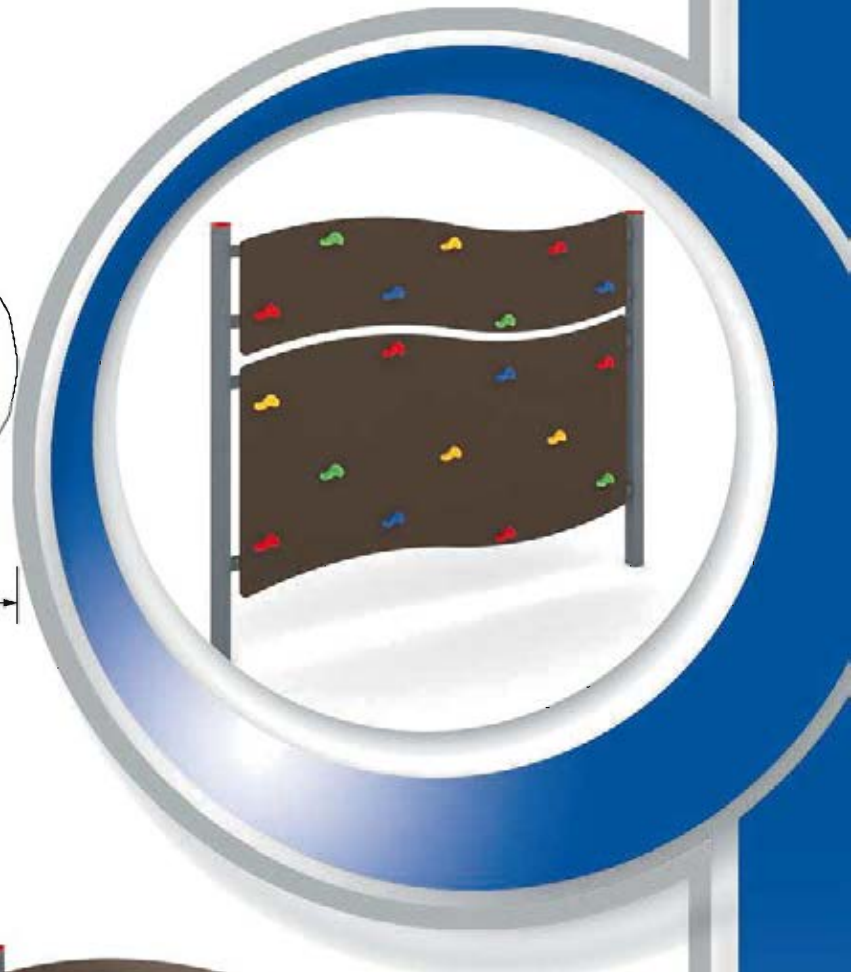
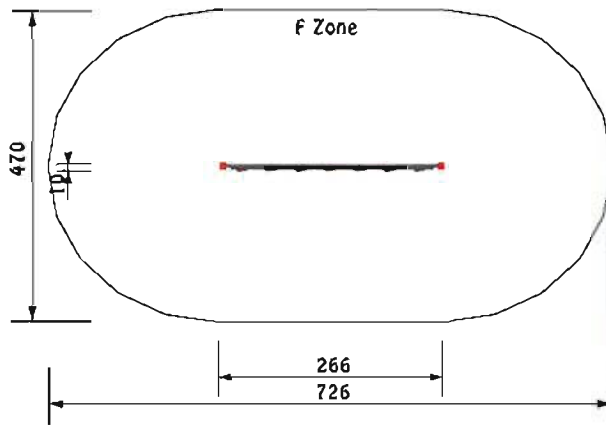


Device non easily accessible, no age limit

30039

Big climbing wall

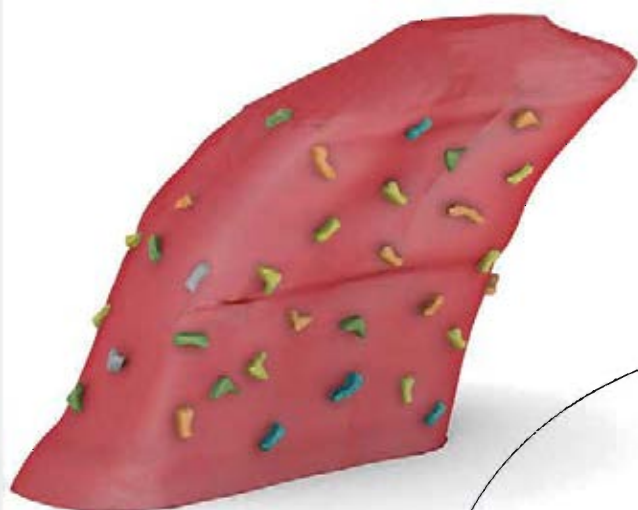
Free zone	29,43 m ²
Minimum space	470 cm / 726 cm
Maximum set dimension	10 / 266 / 220 cm
Weight	90 kg
Surfacing: sand, gravel, bark, synthetic	
Free height of fall	220 cm



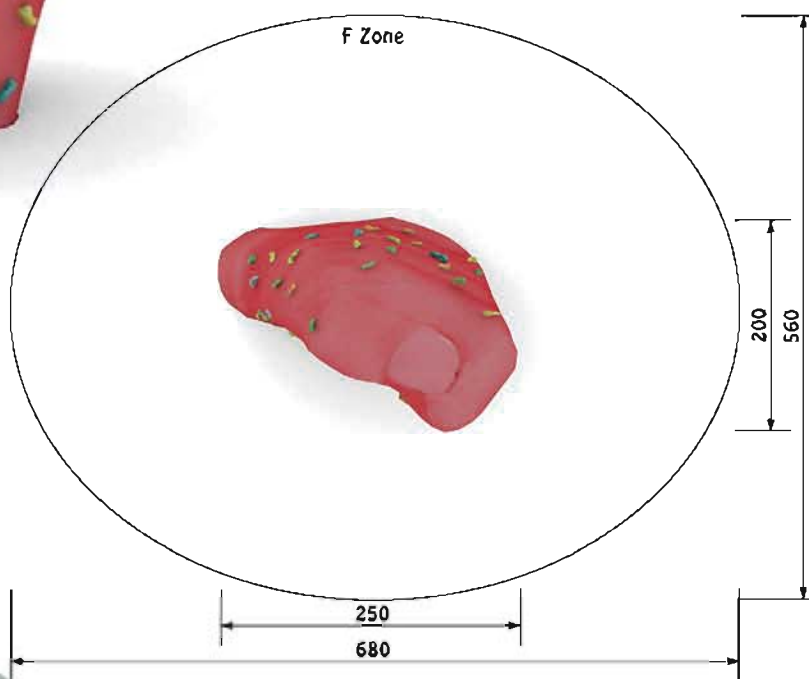
Device non easily accessible, no age limit

Bouldering climbing wall

MDD-001/2



Free zone	30 m ²
Minimum space	680 cm / 560 cm
Maximum set dimension	250 / 200 / 200 cm
Weight	500 kg
Surfacing: sand, gravel, bark, synthetic	
Free height of fall	200 cm

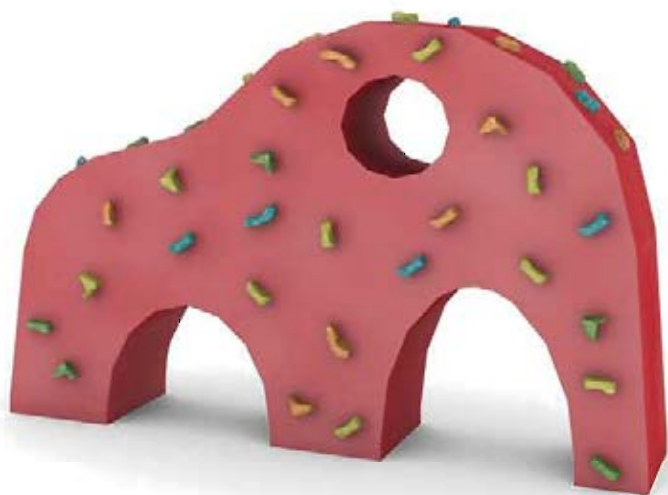
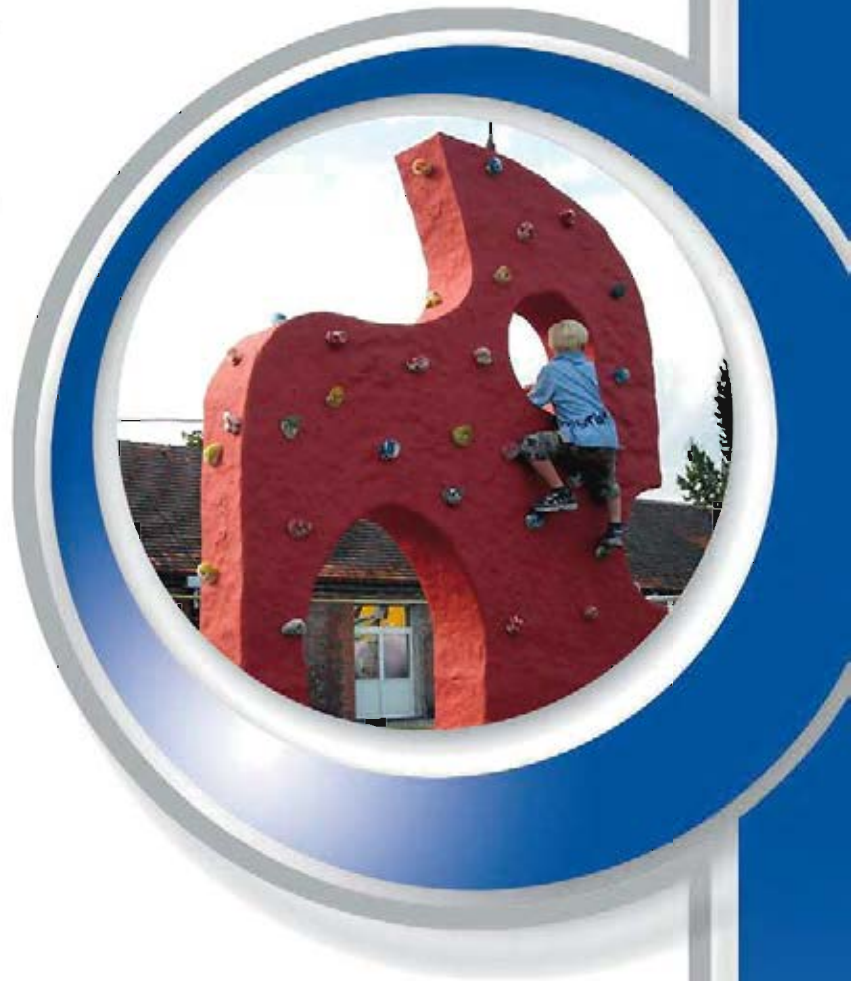
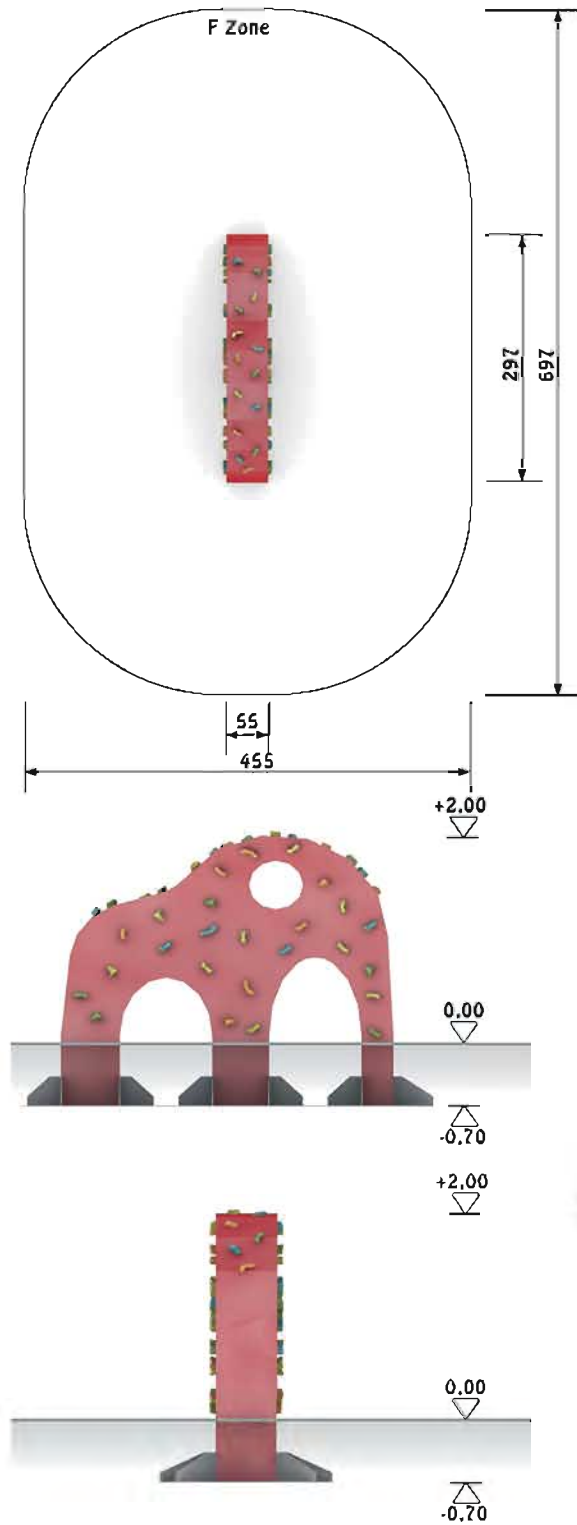


Device non easily accessible, no age limit

MDD-003E

Elephant climbing wall

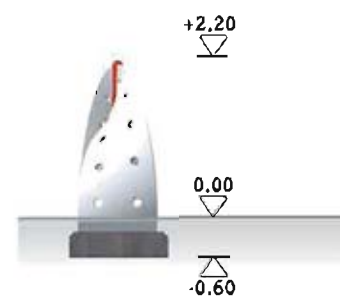
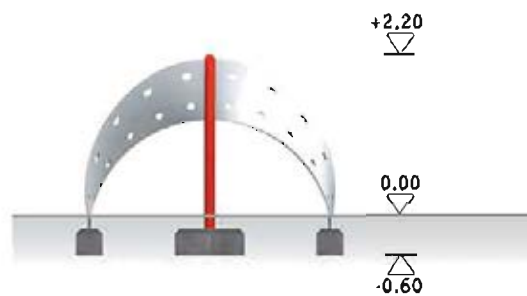
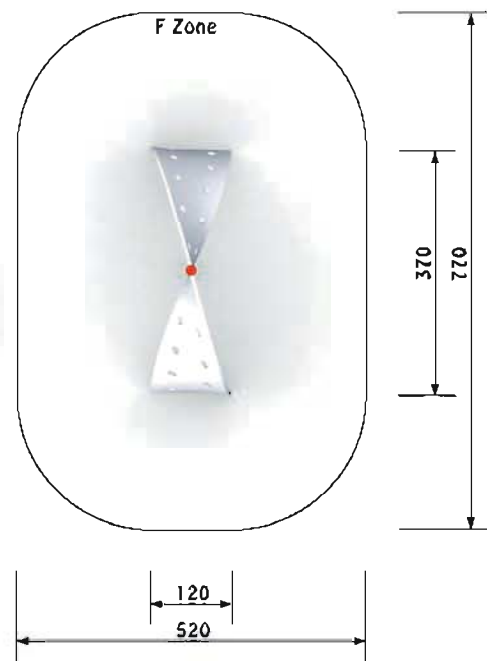
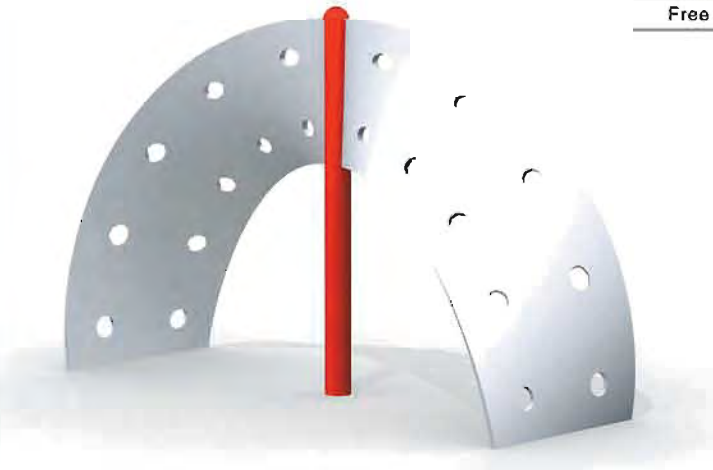
Free zone	28,28 m ²
Minimum space	697 cm / 455 cm
Maximum set dimension	297 / 55 / 200 cm
Weight	500 kg
Surfacing: sand, gravel, bark, synthetic	
Free height of fall	200 cm



Climbing wall Aztec Adventure Vertical 2

60052

Free zone	36,61 m ²
Minimum space	770 cm / 520 cm
Maximum set dimension	370 / 120 / 220 cm
Weight	320 kg
Surfacing: sand, gravel, bark, synthetic	
Free height of fall	220 cm

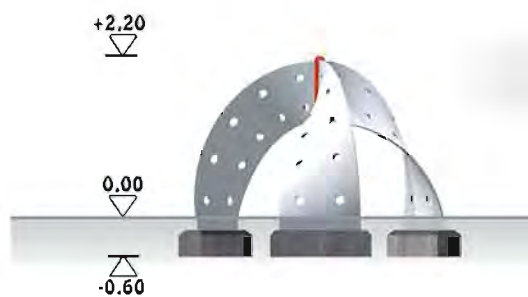
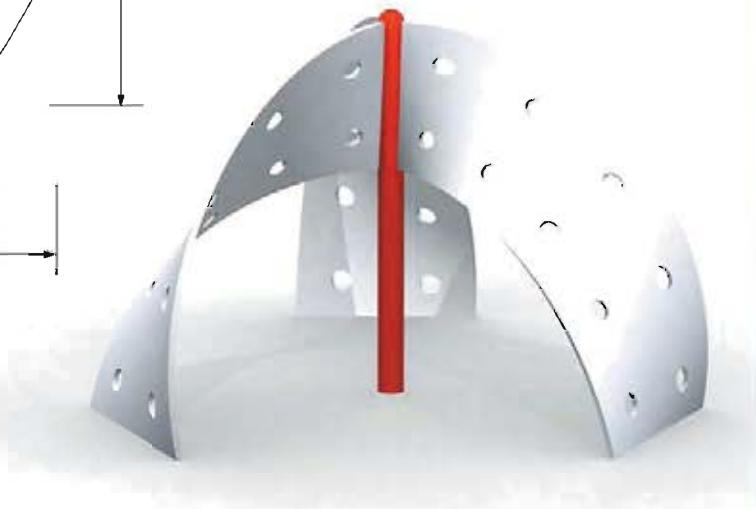
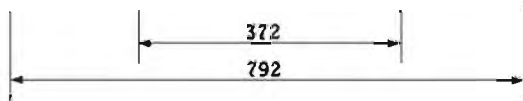
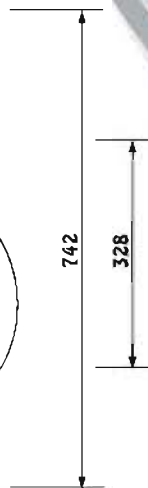
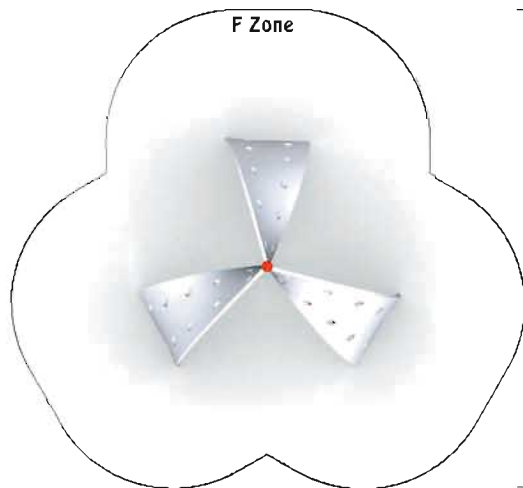
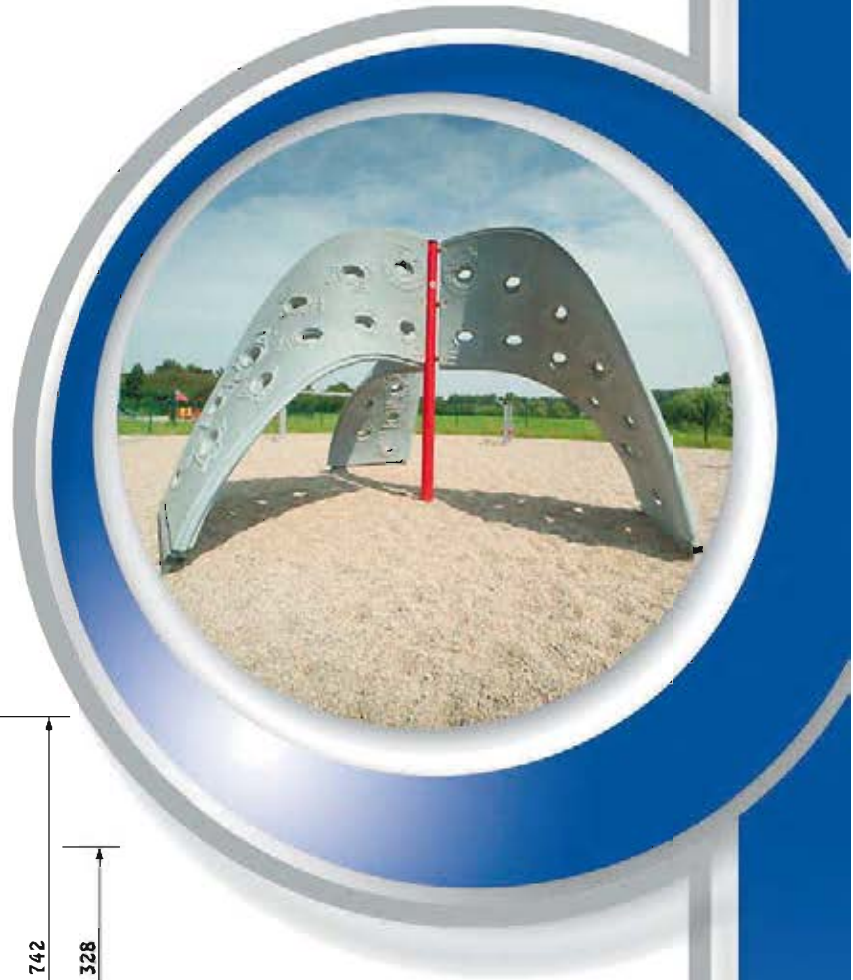
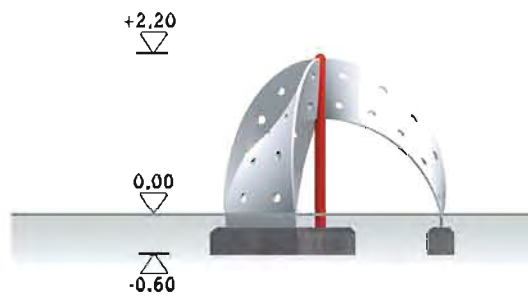


Device non easily accessible, no age limit

60053

Climbing wall Aztec Adventure Vertical 3

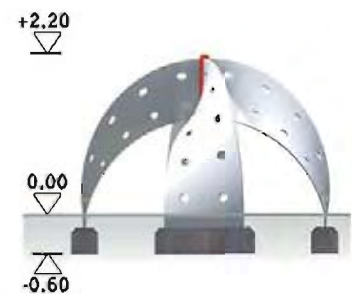
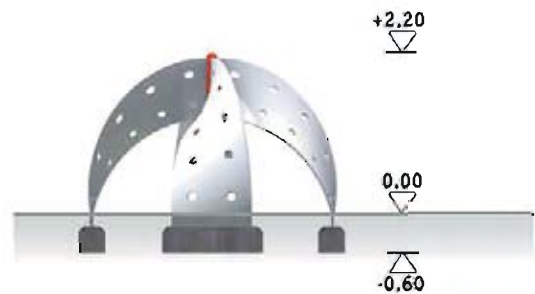
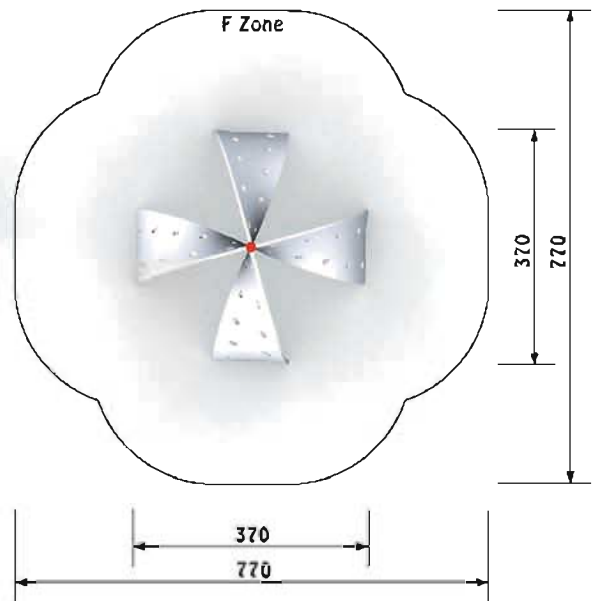
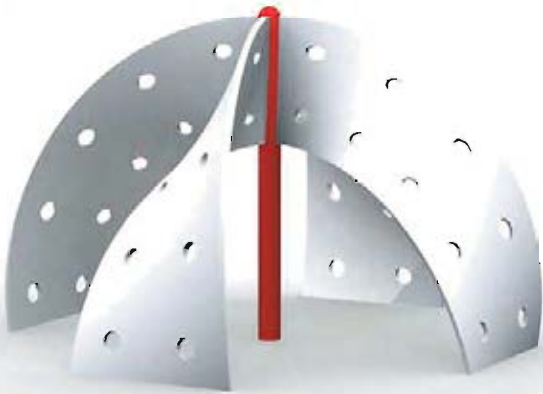
Free zone	43,75 m ²
Minimum space	792 cm / 742 cm
Maximum set dimension	372 / 328 / 220 cm
Weight	440 kg
Surfacing: sand, gravel, bark, synthetic	
Free height of fall	220 cm



Climbing wall Aztec Adventure Vertical 4

60054

Free zone	46,40 m ²
Minimum space	770 cm / 770 cm
Maximum set dimension	370 / 370 / 220 cm
Weight	560 kg
Surfacing : sand, gravel, bark, synthetic	
Free height of fall	220 cm

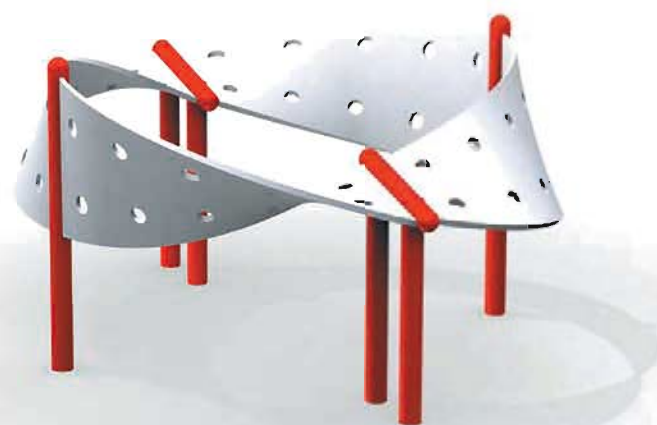
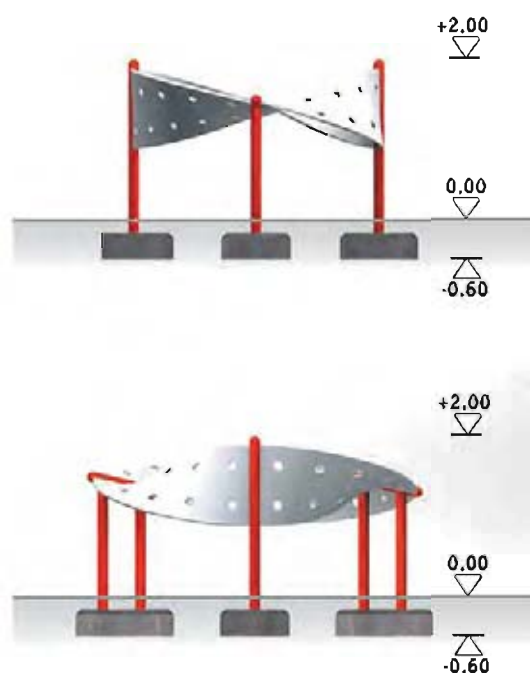
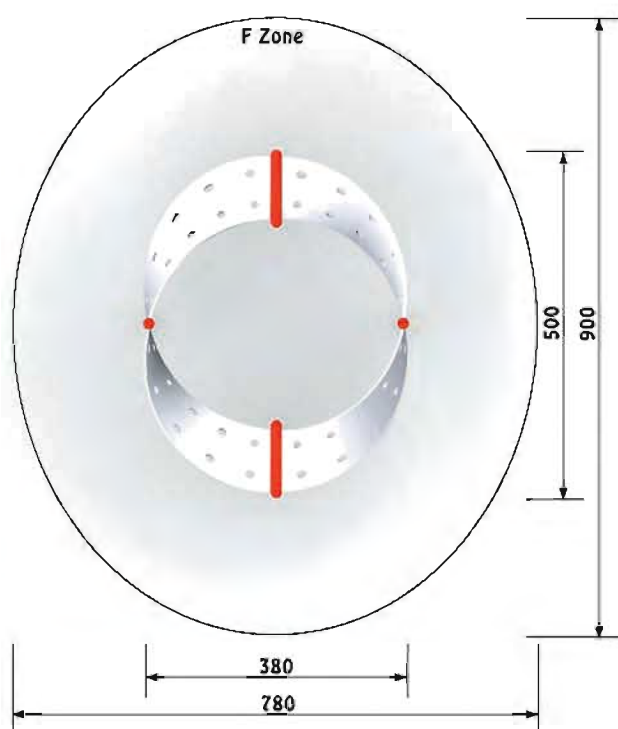


Device non easily accessible, no age limit

60055

Climbing wall Aztec Adventure Horizontal 4

Free zone	55,13 m ²
Minimum space	900 cm / 780 cm
Maximum set dimension	500 / 380 / 200 cm
Weight	700 kg
Surfacing : sand, gravel, bark, synthetic	
Free height of fall	200 cm



Concrete Ping Pong table

3200

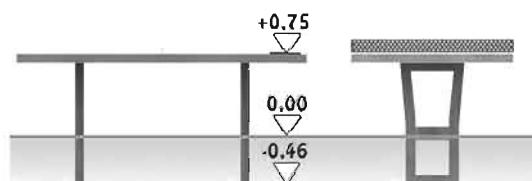
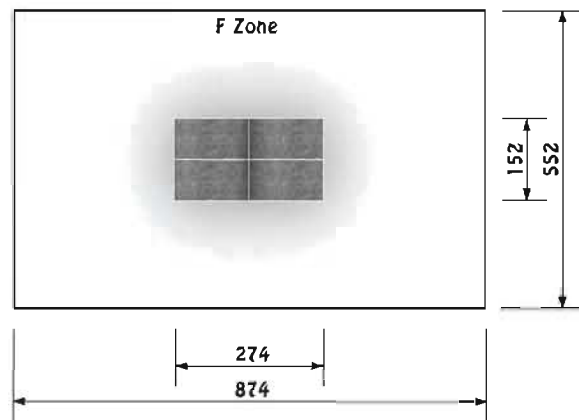
3250

3200 Concrete Ping Pong table to dig in



Free zone	48,24 m ²
Minimum space	874 cm / 552 cm
Maximum set dimension	274 / 152 / 76 cm
Weight 3200	692 kg
Weight 3250	668 kg
Surfacing: synthetic, concrete, asphalt	

3250 Concrete Ping Pong table to put up



3200 Table to dig in



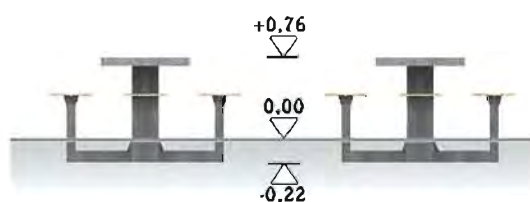
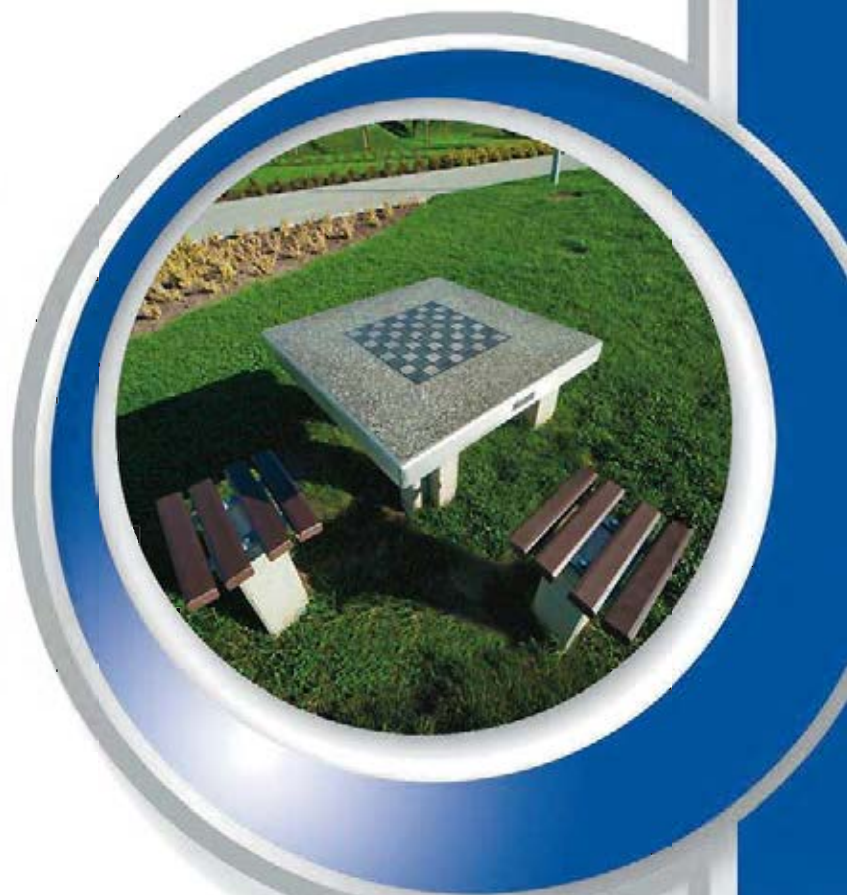
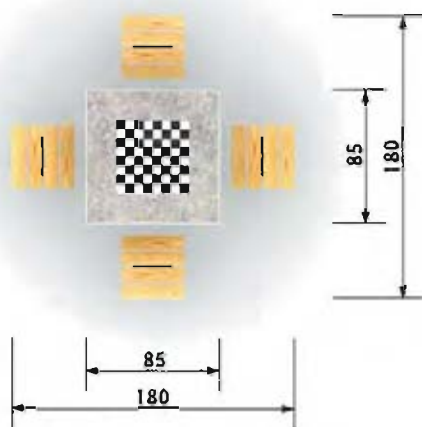
3250 Table to put up



4111/4113
4151/4153

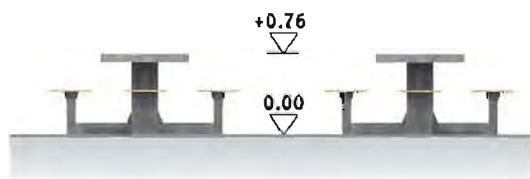
Concrete Chess or Ludo table

Set dimensions	180 / 180 / 76 cm
Table dimensions	85 / 85 / 76 cm
Weight 4111 / 4113	520 kg
Weight 4151 / 4153	460 kg
Surfacing: sand, gravel, synthetic, concrete, grass	



4111 Table to dig in
Chess

4113 Table to dig in
Ludo



4151 Table to put up
Chess

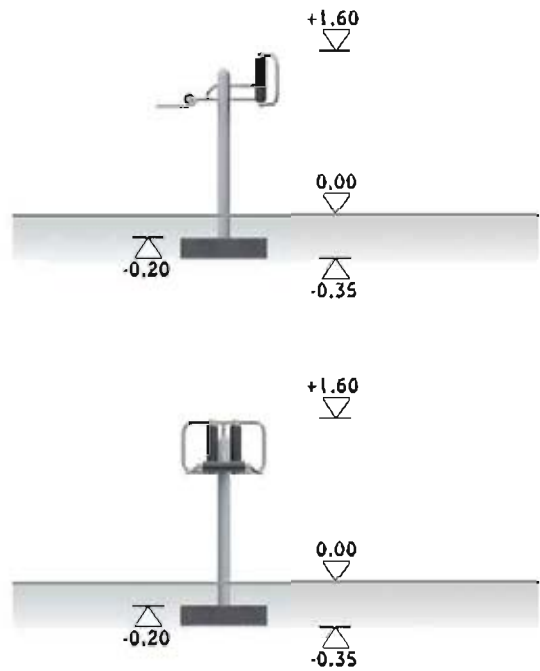
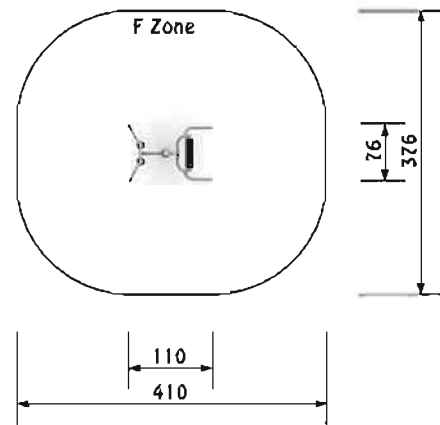
4153 Table to put up
Ludo



Fitness shoulders

TS-8437

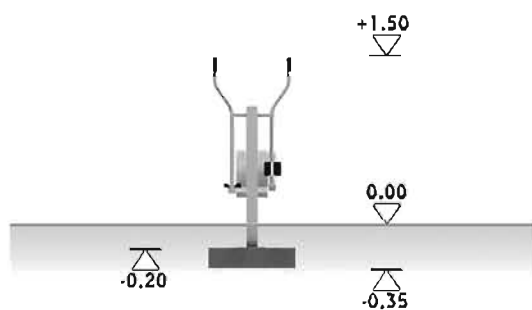
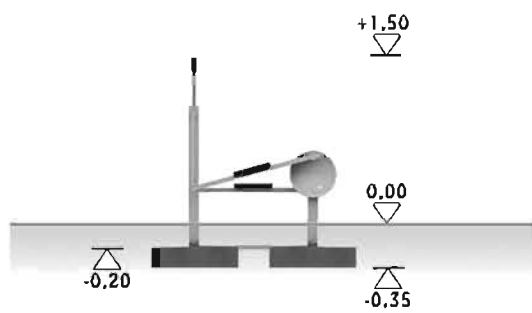
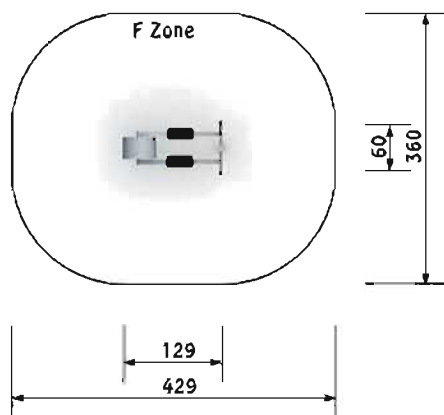
Free zone	13,48 m ²
Minimum space	410 cm / 376 cm
Maximum set dimension	110 / 76 / 160 cm
Weight	80 kg
Surfacing	sand, gravel, bark, synthetic, grass



TS-8444

Fitness Stepper

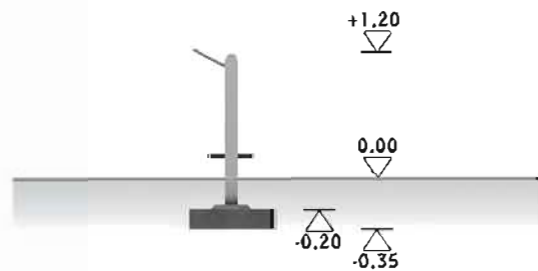
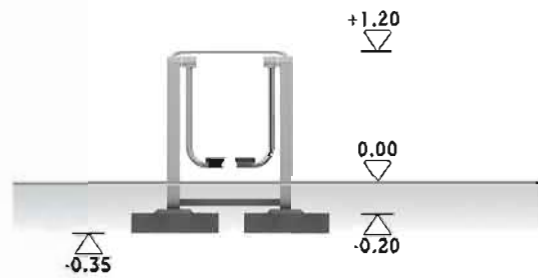
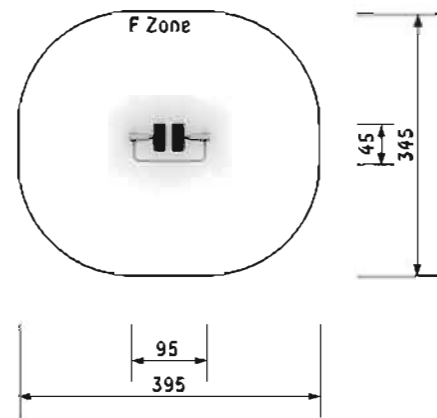
Free zone	13,51 m ²
Minimum space	429 cm / 360 cm
Maximum set dimension	129 / 60 / 150 cm
Weight	80 kg
Surfacing : sand, gravel, bark, synthetic, grass	



Fitness Walker

TS-8453

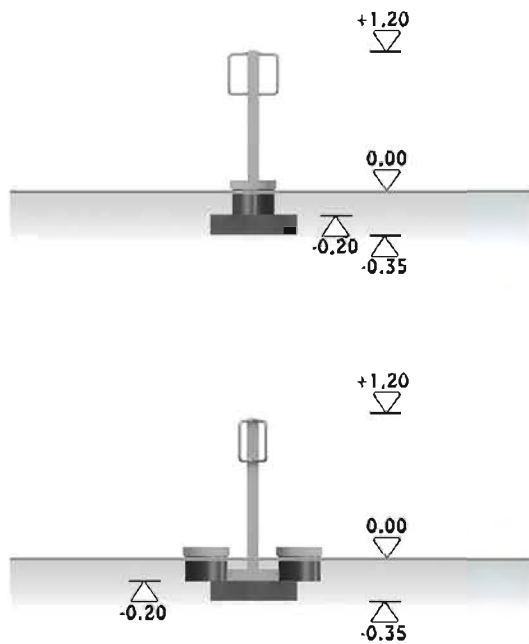
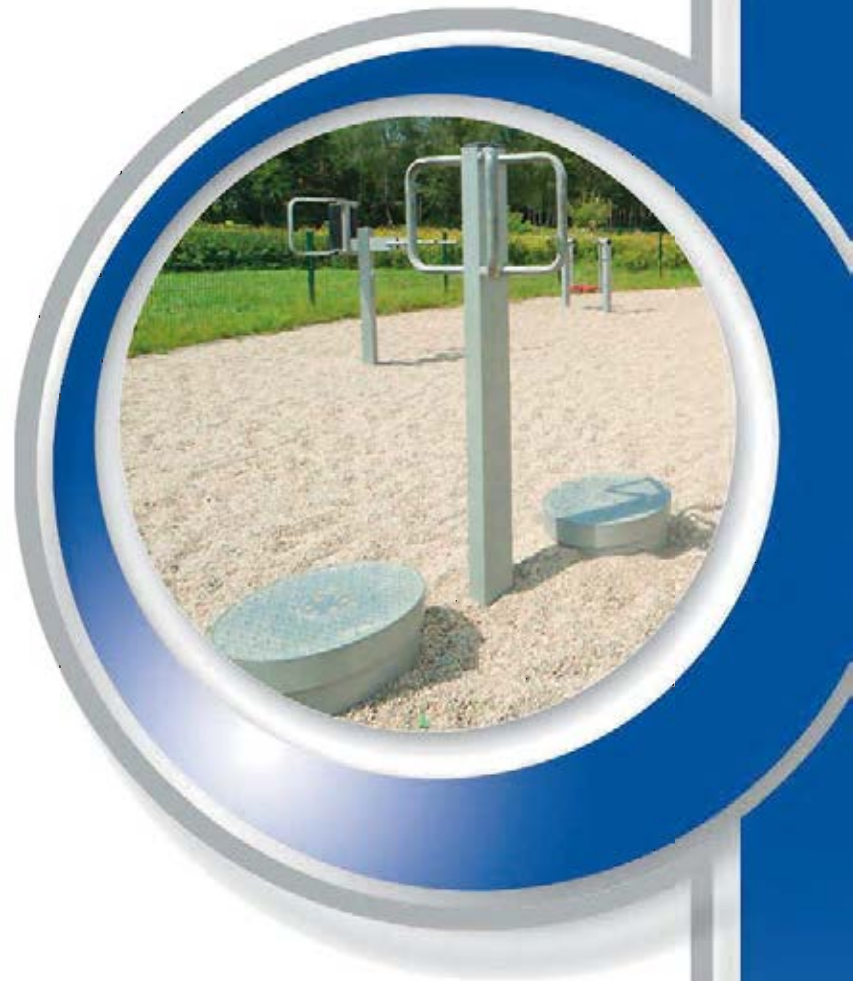
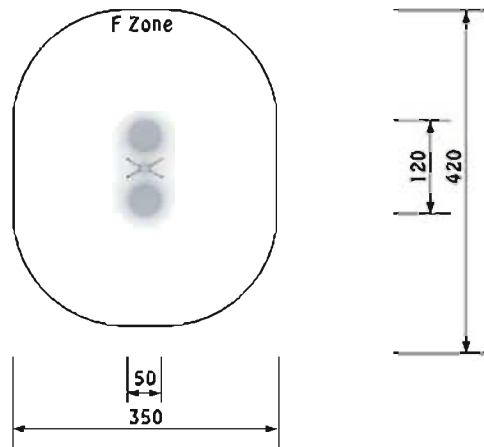
Free zone	12,09 m ²
Minimum space	395 cm / 345 cm
Maximum set dimension	95 / 45 / 120 cm
Weight	80 kg
Surfacing: sand, gravel, bark, synthetic, grass	



TS-8496

Fitness Hips

Free zone	12,76 m ²
Minimum space	420 cm / 350 cm
Maximum set dimension	120 / 50 / 120 cm
Weight	80 kg
Surfacing: sand, gravel, bark, synthetic, grass	

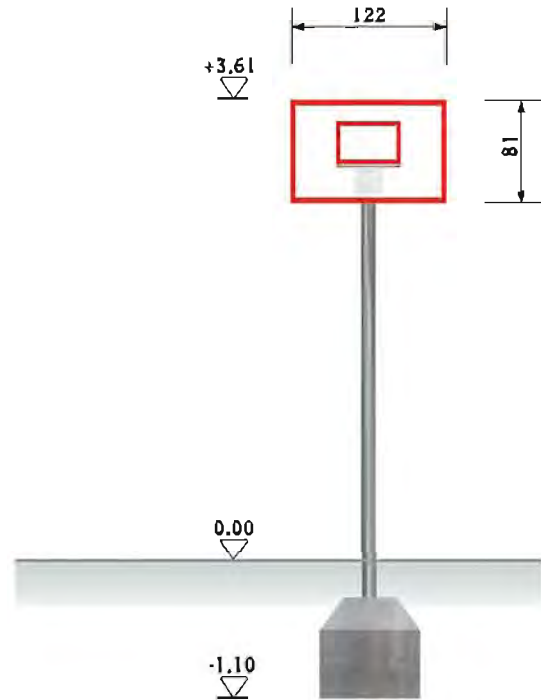


Basketball board

60051



Width	122 cm
Height	361 cm
Board height	81 cm
Weight	100 kg
Sport surfacing	



30020/30020_M/7001

Playground rules

Height	209 i 219 cm
Weight	30 kg
Surfacing:	sand, gravel, bark, synthetic, grass



30020
Playground rules on wooden legs



30020_M
Playground rules on metal leg



7001
metal Playground rules





Additional Sets

Benches

p. 238

40001	Lambda 5 bench with support	p. 238
40004	Lambda 5 bench with metal support	p. 238
40002	Lambda 4 bench	p. 238
40003	Lambda 7 bench	p. 238
40009	Omikron bench	p. 239

Trash Containers

p. 239

40013	Metal trash container	p. 239
40014	Metal trash container „Basic“	p. 239

Benches



Lambda 5 bench with support **40001**

Width	170 cm
Depth	40 cm
Height	90 cm
Weight	45 kg



Lambda 5 with metal support **40004**

Width	170 cm
Depth	40 cm
Height	90 cm
Weight	55 kg



Lambda 4 bench **40002**

Width	170 cm
Depth	40 cm
Height	44 cm
Weight	35 kg



Lambda 7 bench **40003**

Width	170 cm
Depth	40 cm
Height	90 cm
Weight	55 kg

Omikron bench

40009

Width	170 cm
Depth	40 cm
Height	90 cm
Weight	50 kg



Trash Containers

Metal trash container

40013



Metal trash container „Basic“

40014







Surfaces

Abstract from the PN EN-1177 norm	p. 242
Asphalt or concrete brick surfaces	p. 242
Ground surfaces- grass	p. 243
Sand surfaces	p. 243
Gravel surfaces	p. 243
Wood-chips (bark) surfaces	p. 243
Synthetic plate surfaces	p. 243
Synthetic surfaces purred out uniformity	p. 244
Synthetic surfaces made from bricks	p. 245

SMALL ARCHITECTURE BIG RESPONSIBILITY

- how to fall safely.

Apart from the process of creating playgrounds, the preparation of a proper surface for the games we want to offer our children on site is also important.

Table 4 – examples of commonly used materials cushioning the fall , their equivalent in thickness and critical height of the fall

Material ^a	Description	Minimum thickness ^b	Critical height of fall
	mm	mm	mm
turf / soil	Grain size		≤ 1 000 ^d
bark	20 ÷ 80	200	≤ 2 000
		300	≤ 3 000
wood chips	5 ÷ 30	200	≤ 2 000
		300	≤ 3 000
sand ^c	0,2 ÷ 2	200	≤ 2 000
		300	≤ 3 000
gravel ^c	2 ÷ 8	200	≤ 2 000
		300	≤ 3 000
Other materials and thickness	According to HIC (see EN 1177)		Critical height of fall according to test

^a material suitable for playground area
^b in case of loose material add 100 mm to minimum thickness to compensate moving of material (see 4.2.8.5.1).
^c without a particle of dust and loam. Particle size can be determined to EN 933-1.
^d see remark 1 in 4.2.8.5.2.

Defects and advantages of most used surfaces:

1. Asphalt pavements or concrete paver

It is useful in places where movement exercises are performed or smooth surfaces are needed. As a surface for boards for table tennis, badminton or basketball, which are used for fun, and not competitively. They can also be used as surfaces for exercising traffic regulations or other games with the use of wheel equipment (roller skates, roller blades).

2. Soil - grass surface

It's the most typical ground at playgrounds, with a 1.5m fall height from devices. However, when using the equipment on such a surface we must be aware that an intensive use of such a surface leads to its wearing out. Another reason for which the surface may be arduous is the dependency on atmospheric conditions. Even a couple of hours after rainfall, shoes can get wet after stepping onto the lawn. Depending on the construction way it is, however, a soft surface, but if we do not want it to turn into a dirt floor, it requires careful attention. With regard to the price, they constitute the most attractive alternative to other surfaces.

3. Sand surface

The use of sand on the playground is connected with safety and concerns the events on the playground. However, its quality is important. It has to be a washed sand, without silty parts and clays with a fraction from 0.2-2mm. Unfortunately, the use of such a ground is problematic because the sand often gets into shoes and clothes in an uncontrolled way and is spread. Unfortunately, it often gets dirty by various wastes brought by kids and by droppings of animals that often relieve themselves in such places.

4. Gravel surface

Gravel fields are made from round gravel, washed, with a fraction from 2-8mm. A surface laid with a layer of min. 20cm can protect from dangerous hit effects. Such a surface may also be used all year round, even in bad atmospheric conditions. It is especially worth using for climbing, sliding and swinging devices. However, it is not good for playing football nor for running. The advantage of this surface is the fact that it does not "spread" like sand and is self-cleansing after each rainfall.

5. Shavings surface (bark)

Rarely used in Poland. These surfaces efficiently protect from falling, they also have a play-stimulating effect because they are perceived as a forestry ground. However, during rainfall they can lead to the smudging of clothes with dirt, and during the summer, using this surface with sandals on may cause numerous stings and scratches.

6. Rubber board surface

The thickness of such a surface is connected with the falling height whose aim is to protect from dangerous fall effects. It can be poured as a homogenous mass on the entire surface or laid from smaller elements. It guarantees safety in the case of falling at a right angle and protects from cracking the skull base. However, in places where playing includes not only with using equipment, swinging and sliding, but also running, it may sometimes lead to unpleasant skin injuries.

Homogenous screed rubber surfaces

Safe rubber surface – homogenous and elastic surfaces without joints.

The surfaces are ideal for playgrounds and comply with the falling height of the installations. They are resilient to weather conditions and UV radiation. They are permeating. Available colors allow for designing attractive patterns. With the safety of the youngest users in mind, the surface was tested in compliance with PN-EN 1177.

Benefits of homogenous screed rubber surfaces:

1. Solid surface without joints or spaces ► minimized risk of tripping and injuries
2. Resilience and durability ► the lowest maintenance costs in the long run
3. Can be installed on the existing playgrounds ► increased safety of obsolete playgrounds
4. Can be used in any weather conditions ► short drying time, continuous playing availability
5. Virtually maintenance-free ► no need for seasonal replacement and filling
6. Over 20 colors and combinations ► aesthetics and alignment with the surroundings
7. Endless graphical possibilities (creating streets, organizing backyard games, such as throwing knives – the so-called "mushroom" game) ► added value
8. Easy repairs ► worry-free maintenance
9. Non-slipping surface ► increased safety
10. Easy cleaning and maintenance ► broken glass, syringes or animal droppings are easily discernible
11. Prices are increasingly attractive ► ask your salesperson



Rubber module surfaces

Safe rubber surface – elastic module surfaces.

The surface and finishing elements are made of properly formed and thermal and pressure treated mix of high-quality rubber granulate and admixture of adhesive – polyurethane. The tiling and joining procedure is very easy. Available colors allow for designing attractive patterns. With the safety of the youngest users in mind, the surface was tested in compliance with PN-EN 1177. It is also certified for safety in case of falling from the height of 1.0-3.0 m.

Benefits of rubber module surfaces:

1. Fully permeating surface
2. Resilience to weather conditions
3. Resilience to abrasion
4. Easy cleaning and maintenance
5. Can be used even for individual installations

